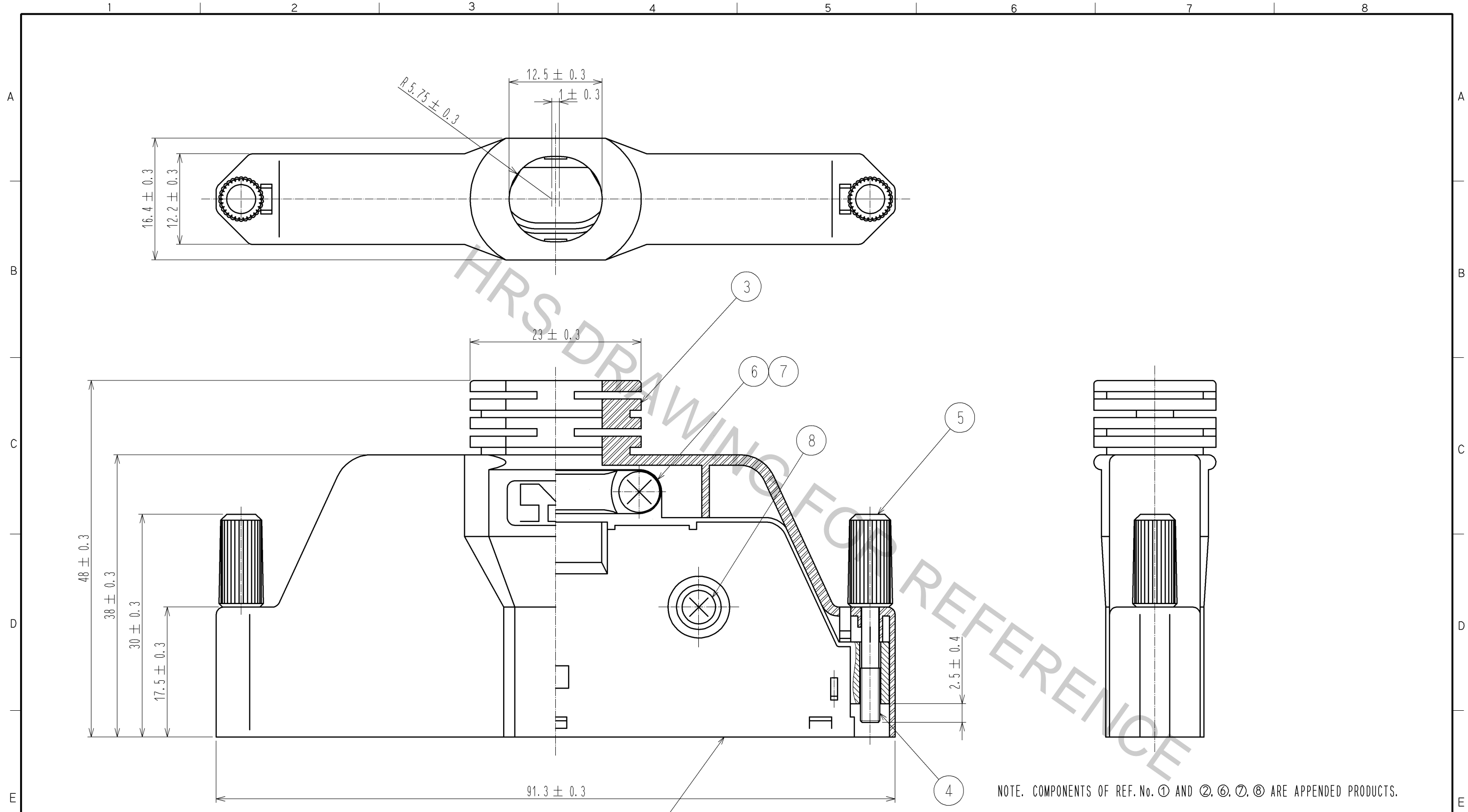


Oct.1.2018 Copyright 2018 HIROSE ELECTRIC CO., LTD. All Rights Reserved.
 In case that the application demands a high level of reliability, such as automotive,
 please contact a company representative for further information.



NOTE. COMPONENTS OF REF. No. ① AND ②, ⑥, ⑦, ⑧ ARE APPENDED PRODUCTS.

4	STEEL	Ni 5μm min	8	STEEL	Ni 0.8μm min
3	POLYCARBONATE	(DARK GRAY)UL94V-2	7	STEEL	Ni 3μm min
2	ZINC ALLOY DIE CASTING		6	STAINLESS STEEL	
1	STAINLESS STEEL		5	ABS	(DARK GRAY)UL94V-HB
NO.	MATERIAL	FINISH . REMARKS	NO.	MATERIAL	FINISH . REMARKS

UNITS mm		SCALE 2 : 1	COUNT 	DESCRIPTION OF REVISIONS	DESIGNED	CHECKED	DATE
HIROSE ELECTRIC CO., LTD.				APPROVED : YH. ENAMI 08.06.09 CHECKED : HK. TANAKA 08.06.09 DESIGNED : MT. ITANO 08.06.06 DRAWN : MT. ITANO 08.06.06	DRAWING NO. EDC3-042485-01 PART NO. DX30M-110-CV1 CODE NO. CL230-5083-3-00		

1/1