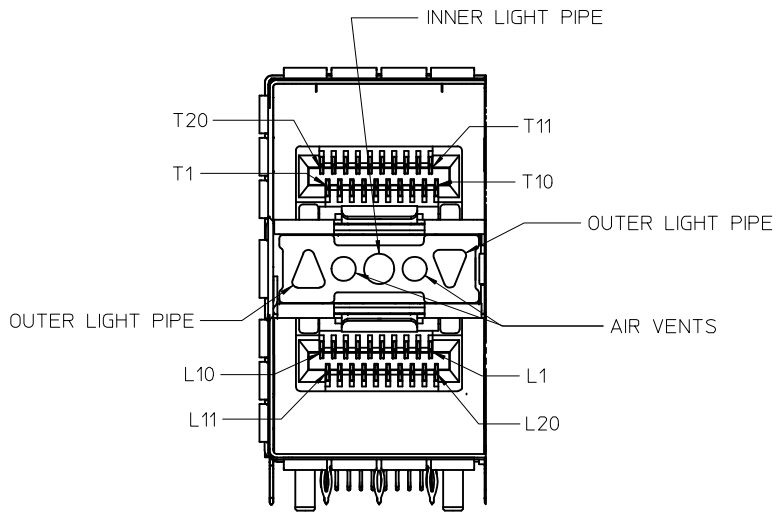


- NOTES:
- MATERIAL:
 - CAGE: NICKEL SILVER
 - CONNECTOR HOUSING: GLASS FILLED THERMOPLASTIC, UL: 94V-0, COLOR: BLACK
 - LIGHT PIPES: POLYCARBONATE, 94 HB, COLOR: CLEAR
 - TERMINALS: HIGH PERFORMANCE COPPER ALLOY
 - FRONT SHIELD WALL: COPPER ALLOY
 - LIGHT PIPE HOUSING: ZINC ALLOY
 - FINISH
 - TERMINALS: CONTACT AREA: $0.76 \mu\text{m}$ MIN. HARD GOLD OVER
 $3.8 \mu\text{m}$ MIN. NICKEL.
 - COMPLIANT TAIL: $0.7-1.5 \mu\text{m}$ MATTE TIN OVER:
 $0.7-1.5 \mu\text{m}$ NICKEL
 - FRONT SHIELD WALL: $0.7-1.5 \mu\text{m}$ NICKEL OVERALL
 - LIGHT PIPE HOUSING: $2.0 \mu\text{m}$ NICKEL OVER $0.7 \mu\text{m}$ COPPER
 - ALL SURFACES CLASS C PER MOLEX COSMETIC SPECIFICATION ES-171233-0001
 - 2X4 CONFIGURATION W/3 LIGHT PIPES SHOWN FOR REFERENCE, SEE SHEET 2 FOR AVAILABLE OPTIONS.
 - REFER TO PS-170071-0001 FOR ALL ELECTRICAL, MECHANICAL AND ENVIRONMENTAL SPECIFICATIONS.
 - REFER TO AS-170071-0001 FOR CONNECTOR MOUNTING AND REWORK INFORMATION.
 - REFER TO AS-170071-0002 FOR PCB ROUTING RECOMMENDATIONS.

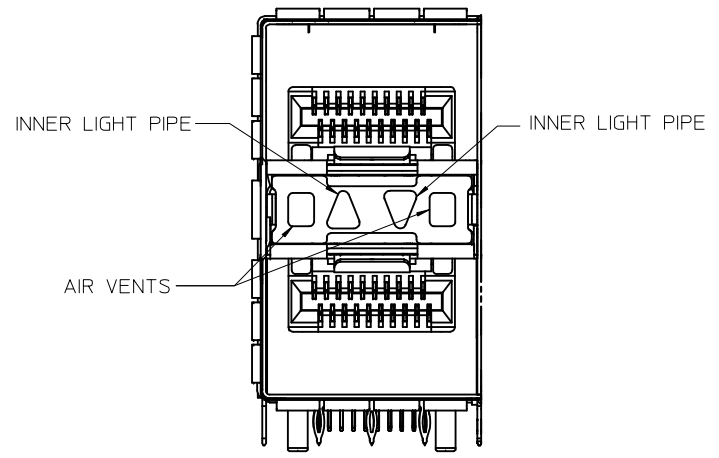
PORT SIZE	PART NUMBER	DIM X	DIM Y
2X4	171224-403*	57.50	57.85
2X6	171224-603*	86.00	86.35
2X8	171224-803*	114.50	114.85
2X12	171224-123*	171.50	171.85

REV TOLERANCES EC NO: UCP2015-4683 DRWN: JKACHL IC 2015/05/07 CHKD: MBANAK IS 2015/05/13 APPR: MBANAK IS	QUALITY SYMBOLS 	GENERAL TOLERANCES (UNLESS SPECIFIED)		DIMENSION STYLE MM ONLY	SCALE 2:1	DESIGN UNITS METRIC	THIRD ANGLE PROJECTION
		4 PLACES \pm --- \pm --- 3 PLACES \pm --- \pm --- 2 PLACES ± 0.13 \pm --- 1 PLACE ± 0.25 \pm --- 0 PLACE \pm --- \pm ---	DRAWN BY JKACHL IC	DATE 2013/06/27	TITLE ZSFP+ STACKED CONNECTOR VENTED W/LIGHT PIPES		
		ANGULAR $\pm 1/2^\circ$	CHECKED BY MBANAK IS	DATE 2014/03/21			
		DRAFT WHERE APPLICABLE MUST REMAIN WITHIN DIMENSIONS	MATERIAL NO. SEE CHART	DOCUMENT NO. SD-171224-4300	SHEET NO. 1 OF 4		

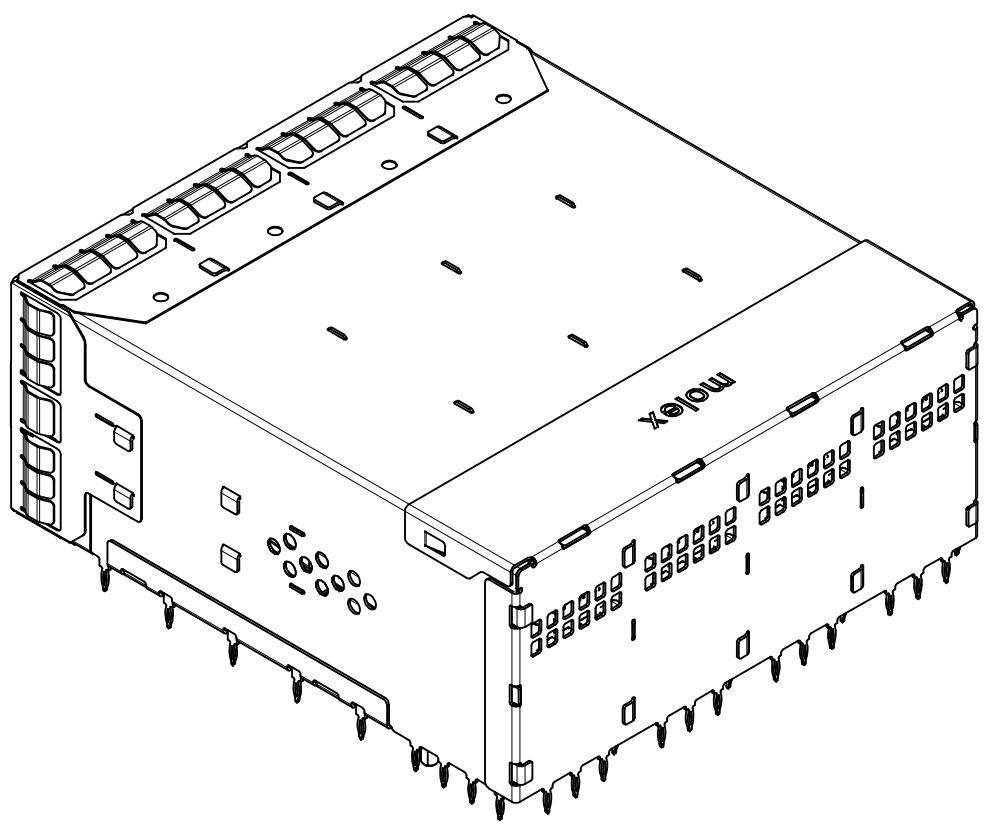
THIS DRAWING CONTAINS INFORMATION THAT IS PROPRIETARY TO MOLEX INCORPORATED AND SHOULD NOT BE USED WITHOUT WRITTEN PERMISSION



3 LIGHT PIPE OPTION
P/N 171224-**30

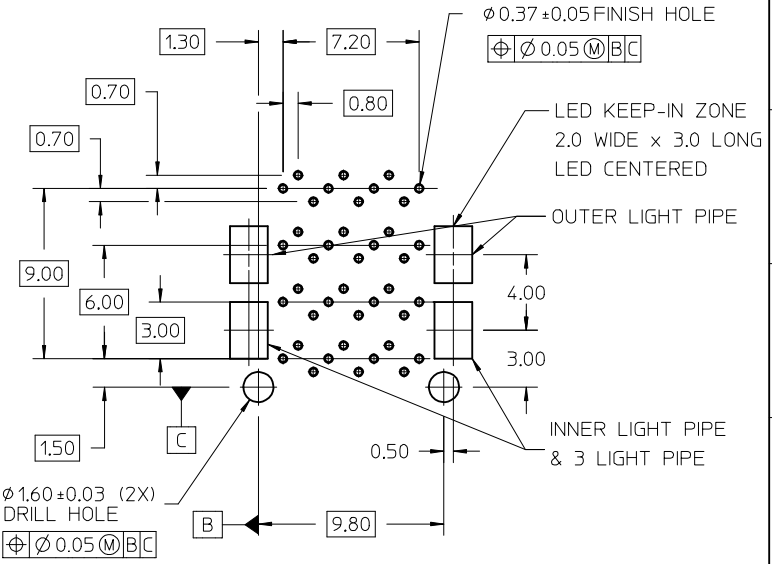
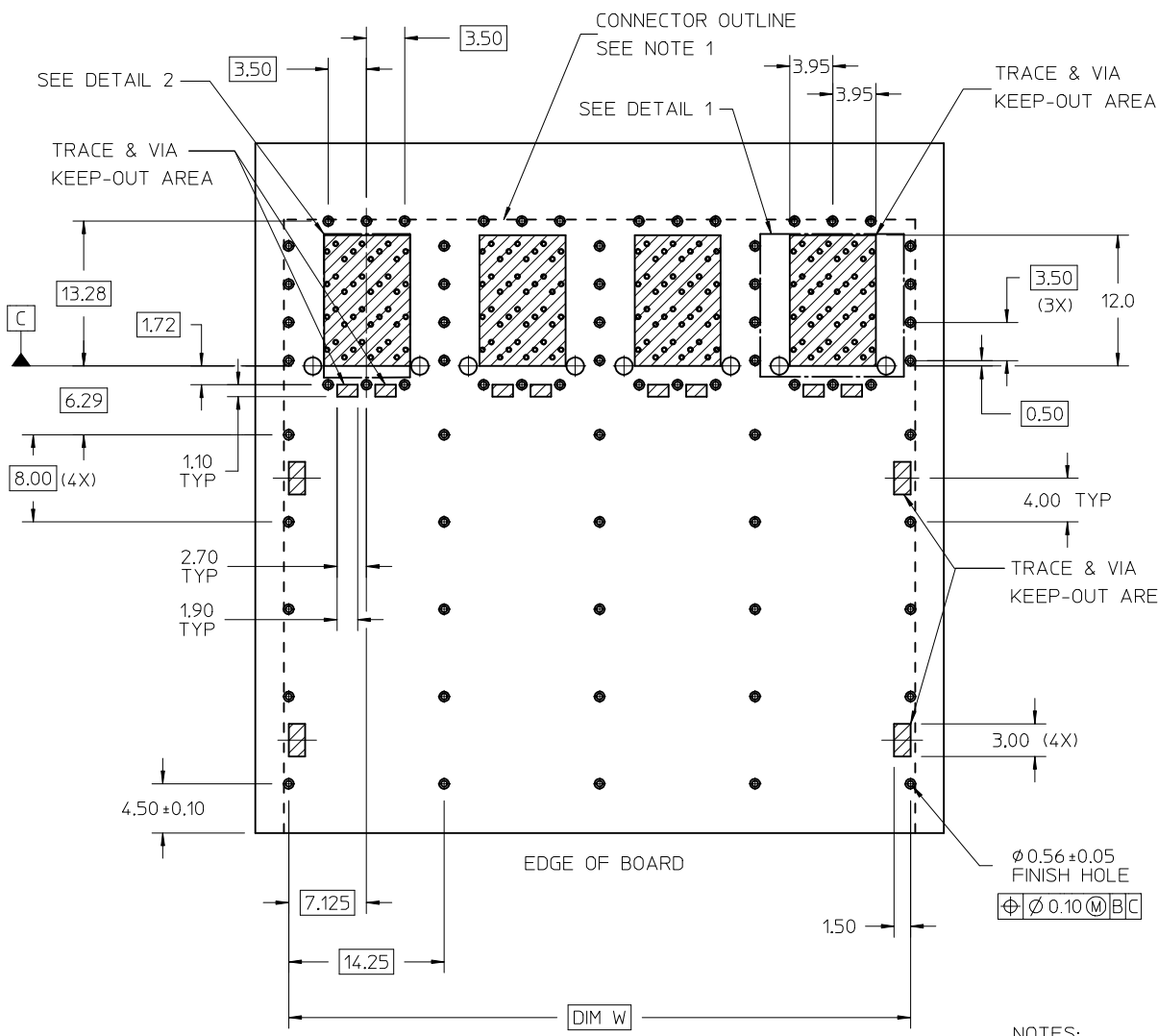


INNER LIGHT PIPE OPTION
P/N 171224-**31

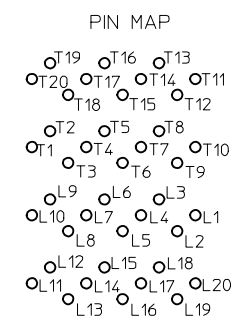


VENTED BACK COVER

SEE SHEET 1 EC NO: UCP2015-4683 DRWN: JKACHLIC 2015/05/07 CHKD: APPR: MBANAKIS 2015/05/13	QUALITY SYMBOLS	GENERAL TOLERANCES (UNLESS SPECIFIED)		DIMENSION STYLE MM ONLY		SCALE 3:1	DESIGN UNITS METRIC	THIRD ANGLE PROJECTION	
	▽=0	4 PLACES ± ---	mm	INCH	DRAWN BY JKACHLIC	DATE 2013/06/27	TITLE ZSFP+ STACKED CONNECTOR VENTED W/LIGHT PIPES		
	▽=0	3 PLACES ± ---	± ---	± ---	CHECKED BY	DATE			
	▽=0	2 PLACES ± 0.13	± 0.13	± ---	APPROVED BY MBANAKIS		DATE 2014/03/21	DOCUMENT NO. SD-171224-4300	
	1 PLACE ± 0.25	± 0.25	± ---	MATERIAL NO.			SHEET NO. 2 OF 4		
	0 PLACE ± ---	± ---	± ---	ANGULAR ±1/2°		SIZE C		THIS DRAWING CONTAINS INFORMATION THAT IS PROPRIETARY TO MOLEX INCORPORATED AND SHOULD NOT BE USED WITHOUT WRITTEN PERMISSION	
		DRAFT WHERE APPLICABLE MUST REMAIN WITHIN DIMENSIONS							



DETAIL 1
SCALE 5:1



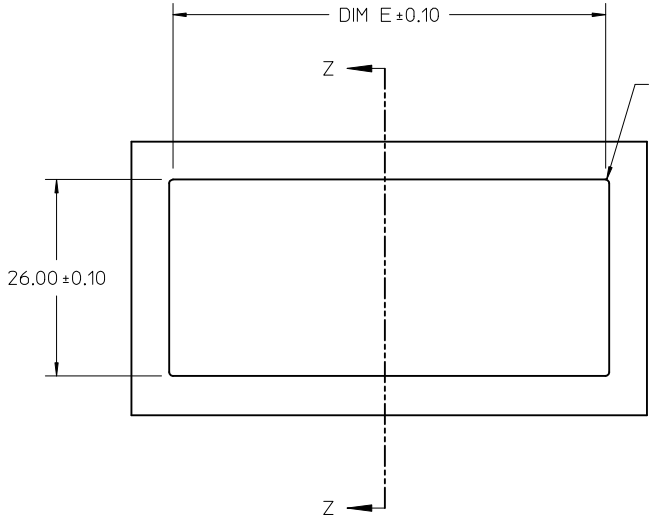
DETAIL 2
SCALE 6:1

NOTES:

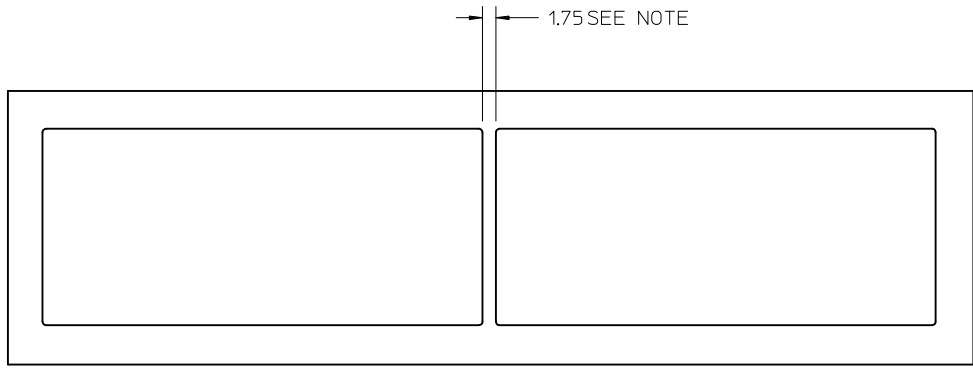
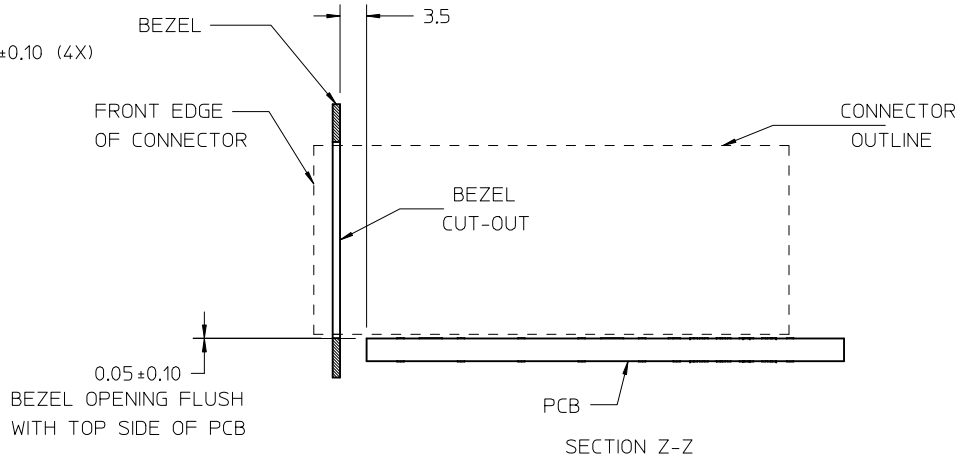
1. THE ENTIRE SURFACE UNDERNEATH THE CAGE IS A COMPONENT KEEP OUT AREA
2. CROSS HATCHED BOXES ARE TRACE AND VIA KEEP OUT AREAS

PORT SIZE	DIM "W"	HOLE CHART		
		CONNECTOR (Ø0.37)	SHIELD (Ø0.56)	LOCATION (Ø1.60)
2X4	57.00	160	69	8
2X6	85.50	240	99	12
2X8	114.00	320	129	16
2X12	171.00	480	189	24

SEE SHEET 1 EC NO: UCP2015-4683 DRWIN: JKACHLIC 2015/05/07 CHKD: MBANAKIS 2015/05/13 APPR: MBANAKIS	QUALITY SYMBOLS	GENERAL TOLERANCES (UNLESS SPECIFIED)	DIMENSION STYLE MM ONLY	SCALE 3:1	DESIGN UNITS METRIC	THIRD ANGLE PROJECTION
	▽=0	4 PLACES ± --- ± ---	DRAWN BY JKACHLIC	DATE 2013/06/27	TITLE ZSFP+ STACKED CONNECTOR VENTED W/LIGHT PIPES	
	▽=0	3 PLACES ± --- ± ---	CHECKED BY	DATE	molex DOCUMENT NO. SD-171224-4300 SHEET NO. 3 OF 4	
	▽=0	2 PLACES ± 0.13 ± ---	APPROVED BY MBANAKIS	DATE 2014/03/21		
▽=0	1 PLACE ± 0.25 ± ---	0 PLACE ± --- ± ---	MATERIAL NO.		SIZE C	
ANGULAR ±1/2°		DRAFT WHERE APPLICABLE MUST REMAIN WITHIN DIMENSIONS		THIS DRAWING CONTAINS INFORMATION THAT IS PROPRIETARY TO MOLEX INCORPORATED AND SHOULD NOT BE USED WITHOUT WRITTEN PERMISSION		



BEZEL CUT-OUT DETAIL
BEZEL THICKNESS 0.8-2.6



BEZEL CUT-OUT FOR
CONNECTOR STACKING

PORT SIZE	DIM "E"
2X4	58.25
2X6	86.75
2X8	115.25
2X12	172.25

NOTE:

FOR SIDE BY SIDE STACKING OF CONNECTORS. A BASIC DIMENSION OF 3.0mm BETWEEN CONNECTOR MOUNTING PATTERNS IS THE RECOMMENDED MINIMUM SPACING.

SEE SHEET 1 EC NO: UCP2015-4683 DRWN: JKACHLIC 2015/05/07 CHKD: MBANAKIS APPR: MBANAKIS 2015/05/13	QUALITY SYMBOLS	GENERAL TOLERANCES (UNLESS SPECIFIED)	DIMENSION STYLE MM ONLY	SCALE 2:1	DESIGN UNITS METRIC	THIRD ANGLE PROJECTION
	▽=0	mm INCH	DRAWN BY JKACHLIC	DATE 2013/06/27	TITLE ZSFP+ STACKED CONNECTOR VENTED W/LIGHT PIPES	
	▽=0	4 PLACES ± --- ± ---	CHECKED BY	DATE		
	▽=0	3 PLACES ± --- ± ---	2 PLACES ± 0.13 ± ---	APPROVED BY MBANAKIS	DATE 2014/03/21	DOCUMENT NO. SD-171224-4300
▽=0	2 PLACES ± 0.13 ± ---	1 PLACE ± 0.25 ± ---	MATERIAL NO.	SHEET NO. 4 OF 4		
		0 PLACE ± --- ± ---	ANGULAR ±1/2°		THIS DRAWING CONTAINS INFORMATION THAT IS PROPRIETARY TO MOLEX INCORPORATED AND SHOULD NOT BE USED WITHOUT WRITTEN PERMISSION	
		DRAFT WHERE APPLICABLE MUST REMAIN WITHIN DIMENSIONS		SIZE C		