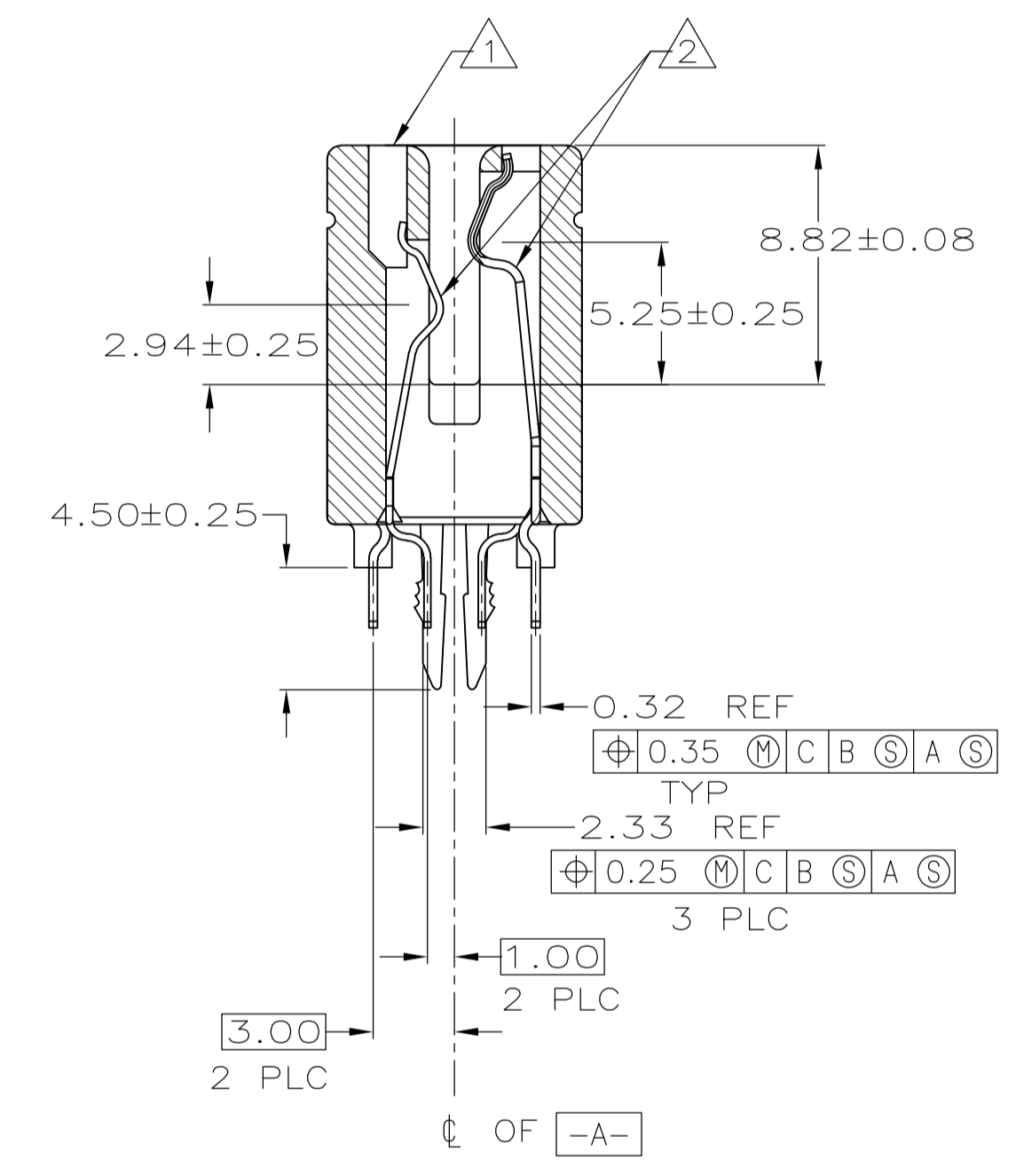
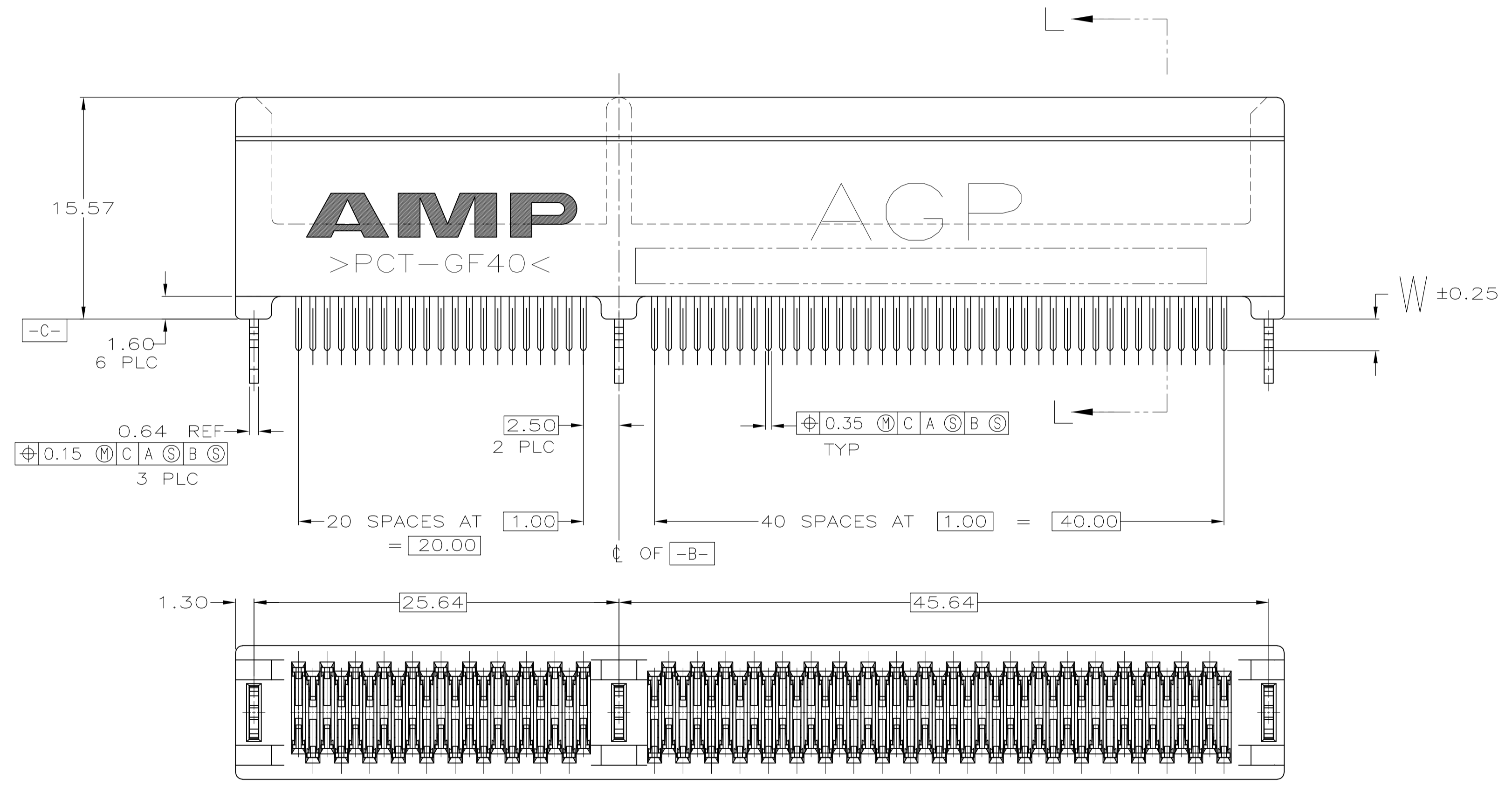
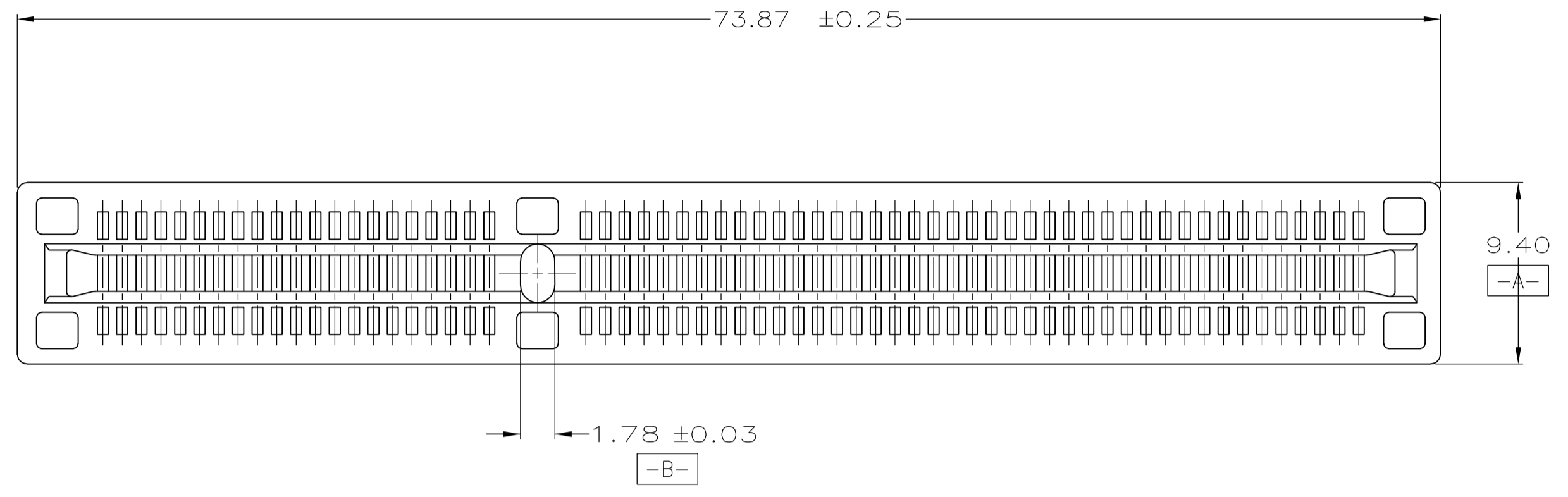


THIS DRAWING IS UNPUBLISHED. RELEASED FOR PUBLICATION .19
 © COPYRIGHT 19 BY AMP INCORPORATED. ALL RIGHTS RESERVED.

LOC	DIST	REVISIONS					
AD	14	P	LTR	DESCRIPTION	DATE	DWN	APVD
		A		REVISED PER 0430-0163-97	5/15/97	RB	MB
		B		REVISED PER 0430-0204-97	6/3/97	RB	MB
		C		REVISED PER 0430-0286-97	8/14/97	RB	MB
		D		REVISED PER 0651-0101-98	7/15/98	RB	DD
		E		REVISED PER 0651-0107-98	8/4/98	RB	DD
		F		REV PER EC 0651-0226-98	01/17/99	MM	EL
		G		REV PER EC 0651-0294-98	01/20/99	MM	DD
		H		REV PER 0651-0062-99	05/17/99	MM	EL
		H1		REV PER ECO-09-021826	07JAN10	KW	AEG



SECTION L-L

- △ MATERIAL: HOUSING, THERMOPLASTIC, COLOR: BROWN.
CONTACTS, PHOSPHOR BRONZE.
HOLD-DOWNS, BRASS.
- △ FINISH: CONTACTS, 1.27 MIN. MICROMETERS NICKEL ALL OVER,
0.38 MIN. MICROMETERS GOLD OVER NICKEL IN CONTACT AREA,
2.54 MIN MICROMETERS TIN-LEAD OVER NICKEL ON SOLDER TAILS.
- △ FINISH: CONTACTS, 1.27 MIN. MICROMETERS NICKEL ALL OVER,
0.0254-0.0762 MICROMETERS GOLD OVER NICKEL IN CONTACT AREA.
2.54 MIN. MICROMETERS TIN-LEAD OVER NICKEL ON SOLDER TAILS.
- △ OBSOLETE PARTS: OBSOLETE CIS STREAMLINING PER D.RENAUD/D.SINISI

△ OBSOLETE	△	3.18	145263-6
	△	2.54	145263-5
	△	3.18	145263-3
	△	2.54	145263-2
	△	2.16	145263-1
PLATING	W		PART NO

THIS DRAWING IS A CONTROLLED DOCUMENT. DWN R. BROWN 1/7/97
 CHK M. BOWERS 1/7/97
 APVD D. SARVER 1/7/97

AMP Incorporated
 Harrisburg, PA 17105-3608

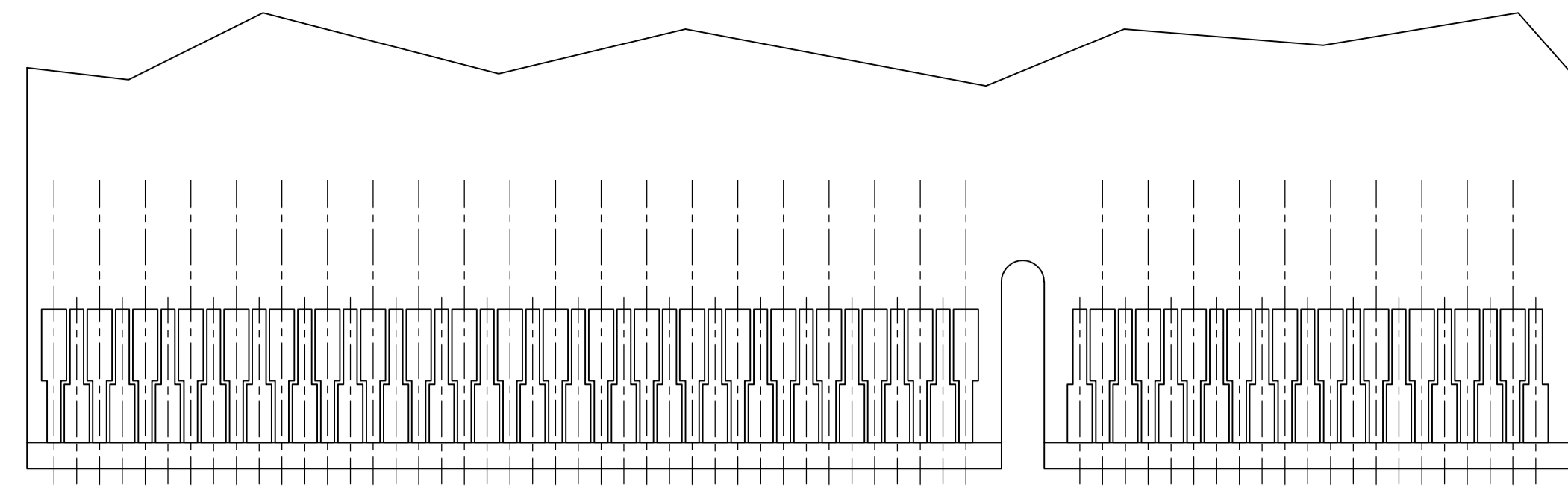
ASSEMBLY, 124 POSITION
 1mm, CARD EDGE CONNECTOR

SIZE A1 CAGE CODE 00779
 DRAWING NO C-145263

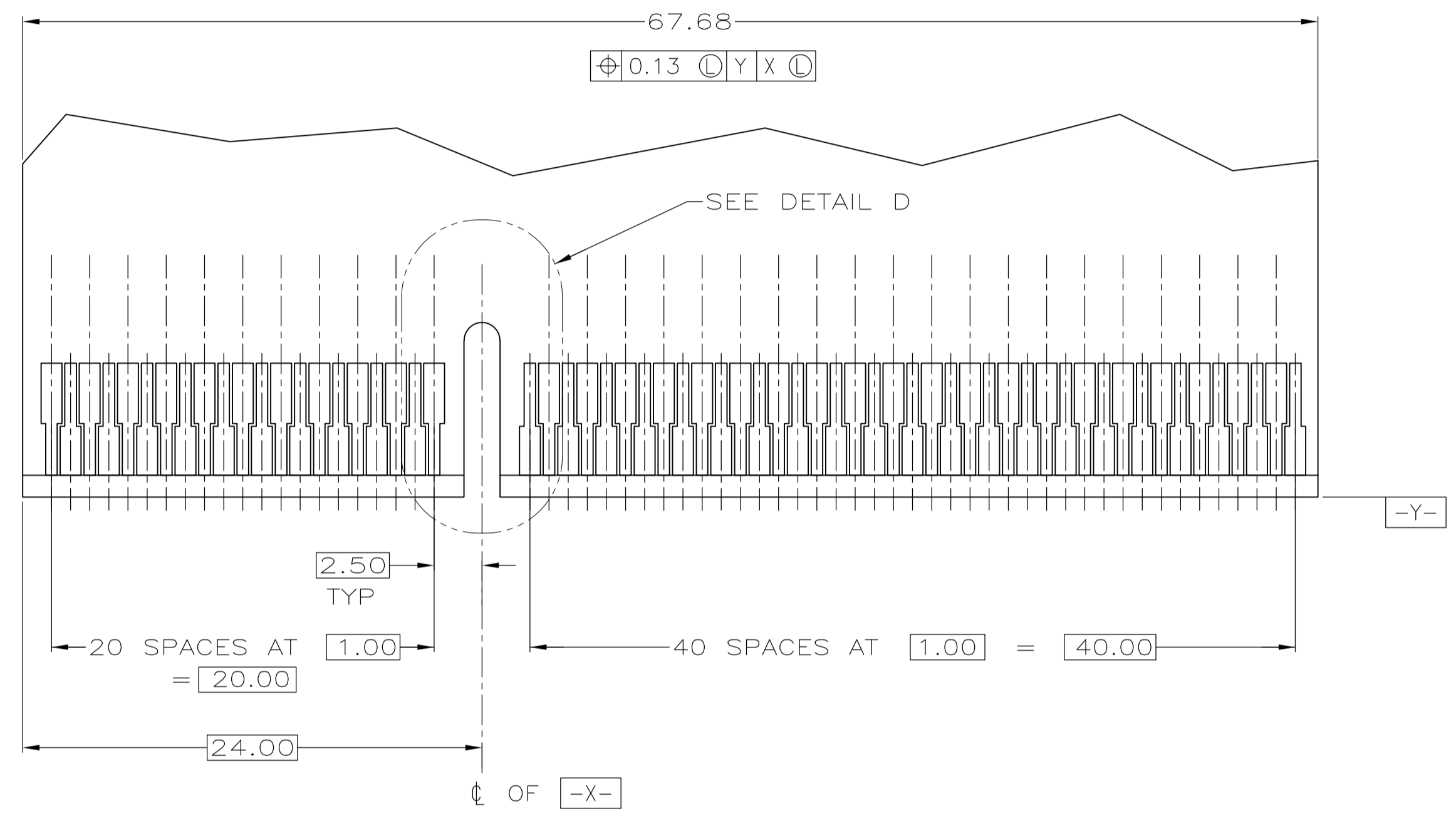
CUSTOMER DRAWING SCALE 4:1 SHEET 1 OF 2 REV HI

THIS DRAWING IS UNPUBLISHED. RELEASED FOR PUBLICATION .19
 BY AMP INCORPORATED. ALL RIGHTS RESERVED.

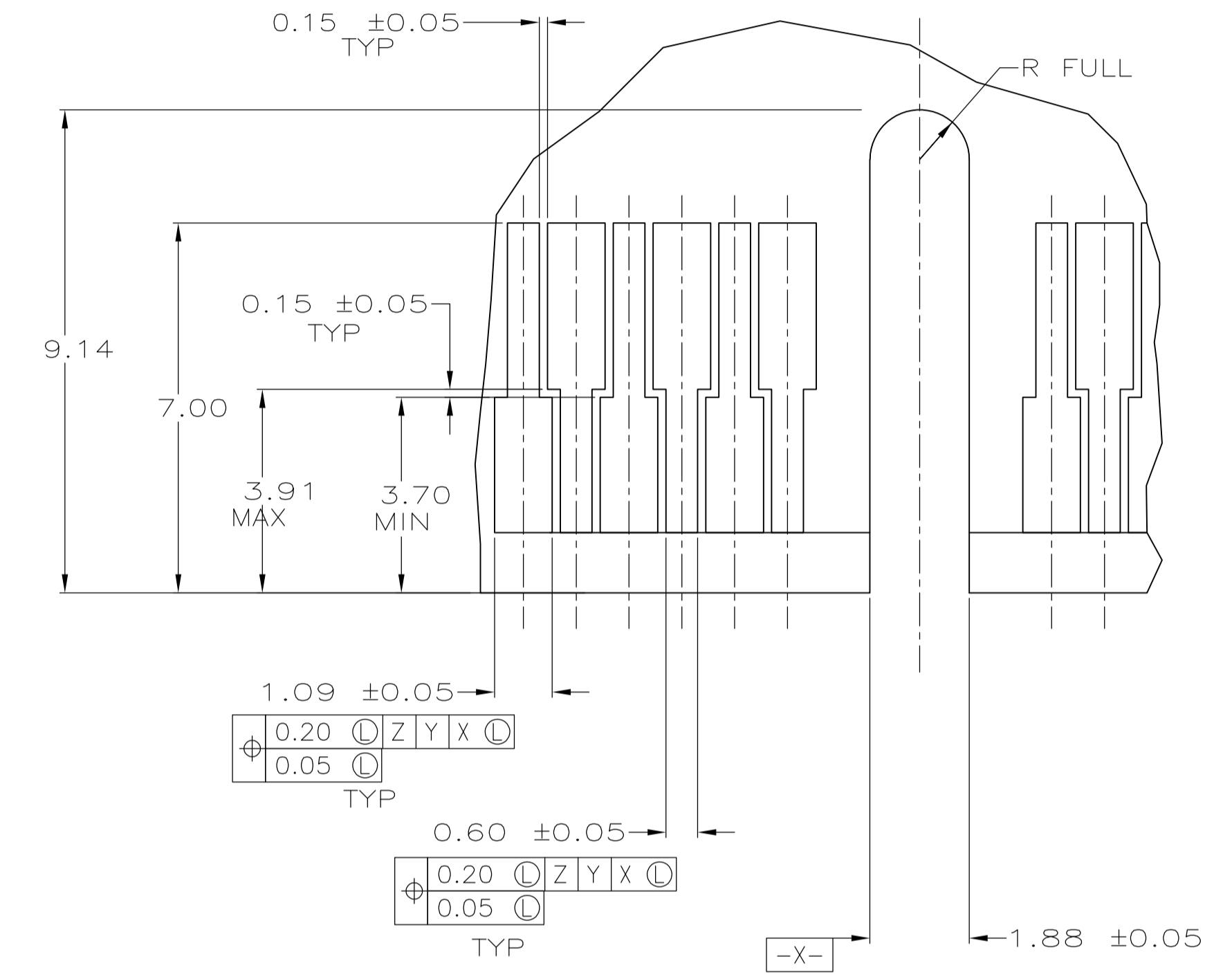
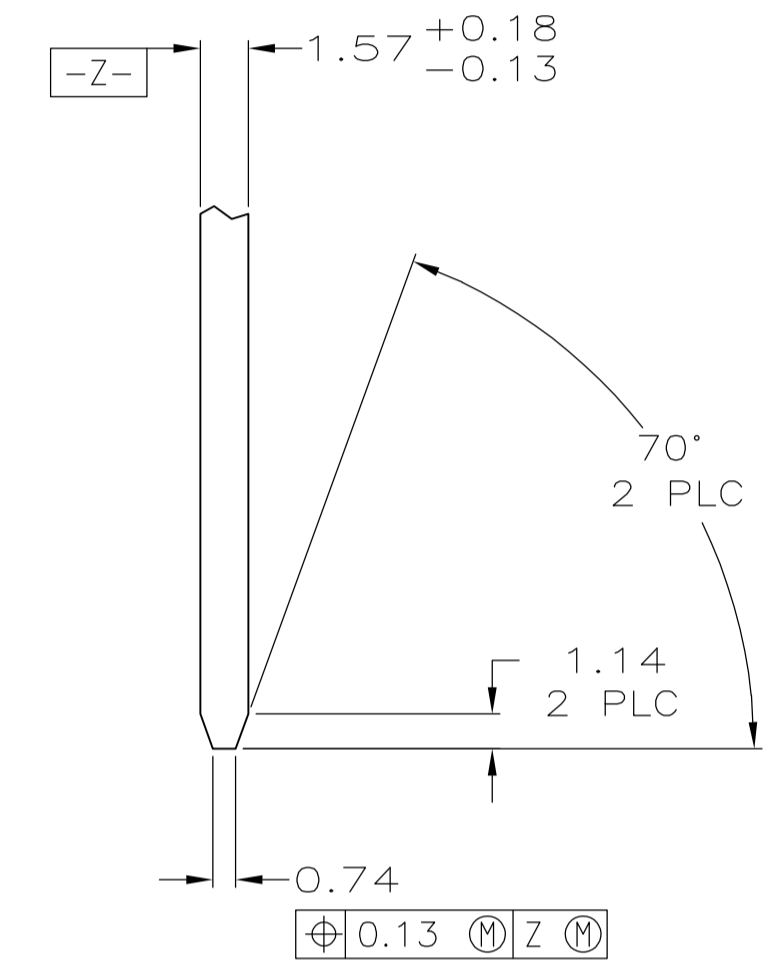
LOC	DIST	P	LTR	DESCRIPTION	DATE	DWN	APVD
AD	14	III		SEE SHEET 1	-	-	-



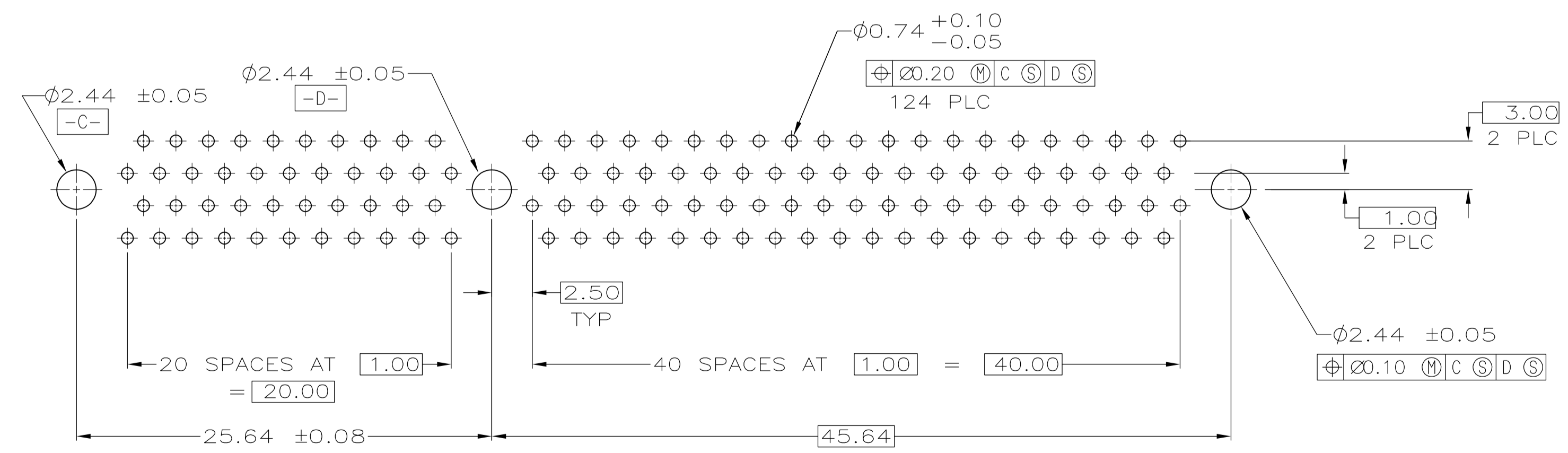
RECOMMENDED CONNECTOR MATING PAD PATTERN
(SECONDARY SIDE SHOWN)



RECOMMENDED CONNECTOR MATING PAD PATTERN
(PRIMARY SIDE SHOWN)



DETAIL D
SCALE 10:1



RECOMMENDED CONNECTOR MOUNTING HOLE PATTERN
(CONNECTOR SIDE SHOWN)

THIS DRAWING IS A CONTROLLED DOCUMENT.		DWN R. BROWN 1/7/97	AMP Incorporated Harrisburg, PA 17105-3608
DIMENSIONS: mm		CHK M. BOWERS 1/7/97	
TOLERANCES UNLESS OTHERWISE SPECIFIED:		APVD D. SARVER 1/7/97	NAME ASSEMBLY, 124 POSITION 1mm CARD EDGE CONNECTOR
0 PLC ±-	1 PLC ±-	PRODUCT SPEC	SIZE A1
2 PLC ±0.13	3 PLC ±-	APPLICATION SPEC	CAGE CODE 00779
4 PLC ±-	ANGLES ±2°	WEIGHT	DRAWING NO. 145263
MATERIAL	FINISH	CUSTOMER DRAWING	SCALE 4:1 SHEET 2 OF 2 REV III