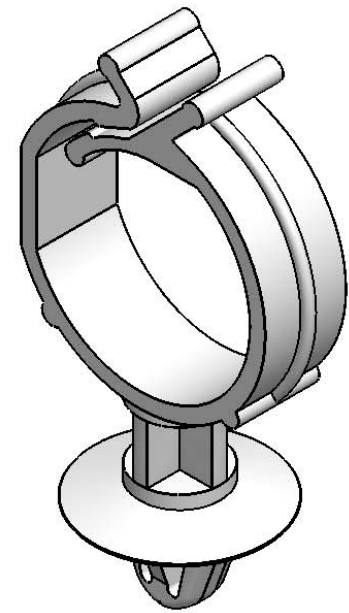
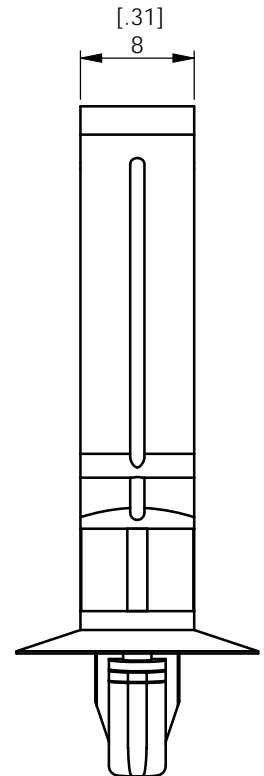
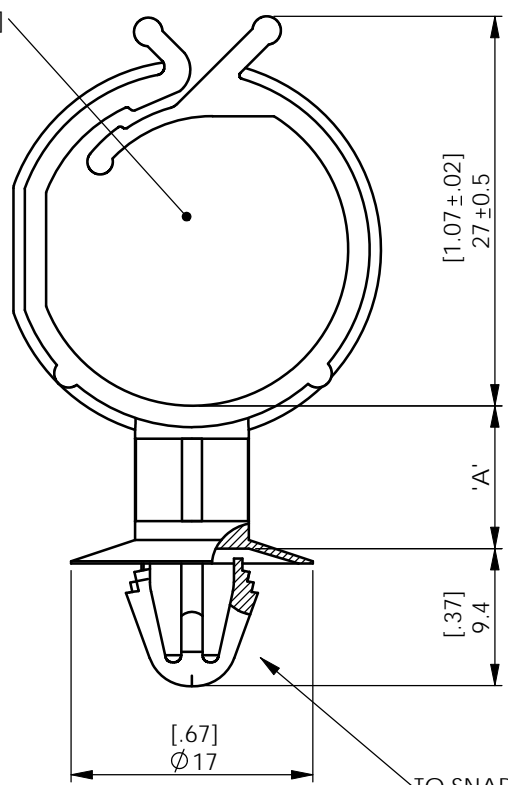


A B C D E F

REV.	MODIFICATION.	DATE	DRN
01	PRODUCTION RELEASE	10/07/08	OW
02	CO-2010413	30/09/08	OW
03	CO-2010451	22/10/08	TC

MAX CABLE BUNDLE DIA 22 [.87]



TO SNAP LOCK INTO A Ø6.5 - 7 [.256-.276] HOLE, INTO A 0.6 - 2 [.024-.079] THICK PANEL.

NOTES:
 1) PARTS AVAILABLE IN NYLON 4/6 HEAT STABILISED MATERIAL (RMS-109) BY SPECIAL ORDER.
 2) PARTS AVAILABLE IN COLOUR BLACK BY SPECIAL ORDER, ADD 'BK' TO THE END OF THE PART NUMBER. E.G. SCCB-1-19BK.

NYLON 6/6 UL94 V0 (RMS-19)	NYLON 6/6 UL94 V2 (RMS-01)	'A'
SCCB-6-19	SCCB-6-01	30 [1.18]
SCCB-5-19	SCCB-5-01	12 [.47]
SCCB-4-19	SCCB-4-01	10 [.39]
SCCB-3-19	SCCB-3-01	8 [.32]
SCCB-2-19	SCCB-2-01	6 [.24]
SCCB-1-19	SCCB-1-01	4 [.16]

INFORMATION CONTAINED IN THIS DOCUMENT IS CONFIDENTIAL TO RICHCO INTERNATIONAL Co. Ltd. AND MAY NOT BE DISCLOSED OR REPRODUCED IN WHOLE OR PART WITHOUT THEIR WRITTEN CONSENT.

Richco

METRIC PRIMARY UNITS:mm
 IMPERIAL SECONDARY UNITS:[inches]
 GENERAL TOLERANCES ±0.25 [0.010]
 UNLESS OTHERWISE STATED
 1 DECIMAL PLACE ±
 2 DECIMAL PLACES ±
 ANGULAR ±1°

THIRD ANGLE

MATERIAL: SEE TABLE COLOUR: NATURAL

DESCRIPTION: STANDOFF CABLE CLIP PART No: SEE TABLE

DRG No: 08-061 NPR No: 2007-435 Mass:(g) N/A SHEET SIZE A4

DRN OW DATE 03/12/07 CHKD SF DATE 03/12/07 SCALE NTS SHEET No. 1 OF 1

A B C D E F