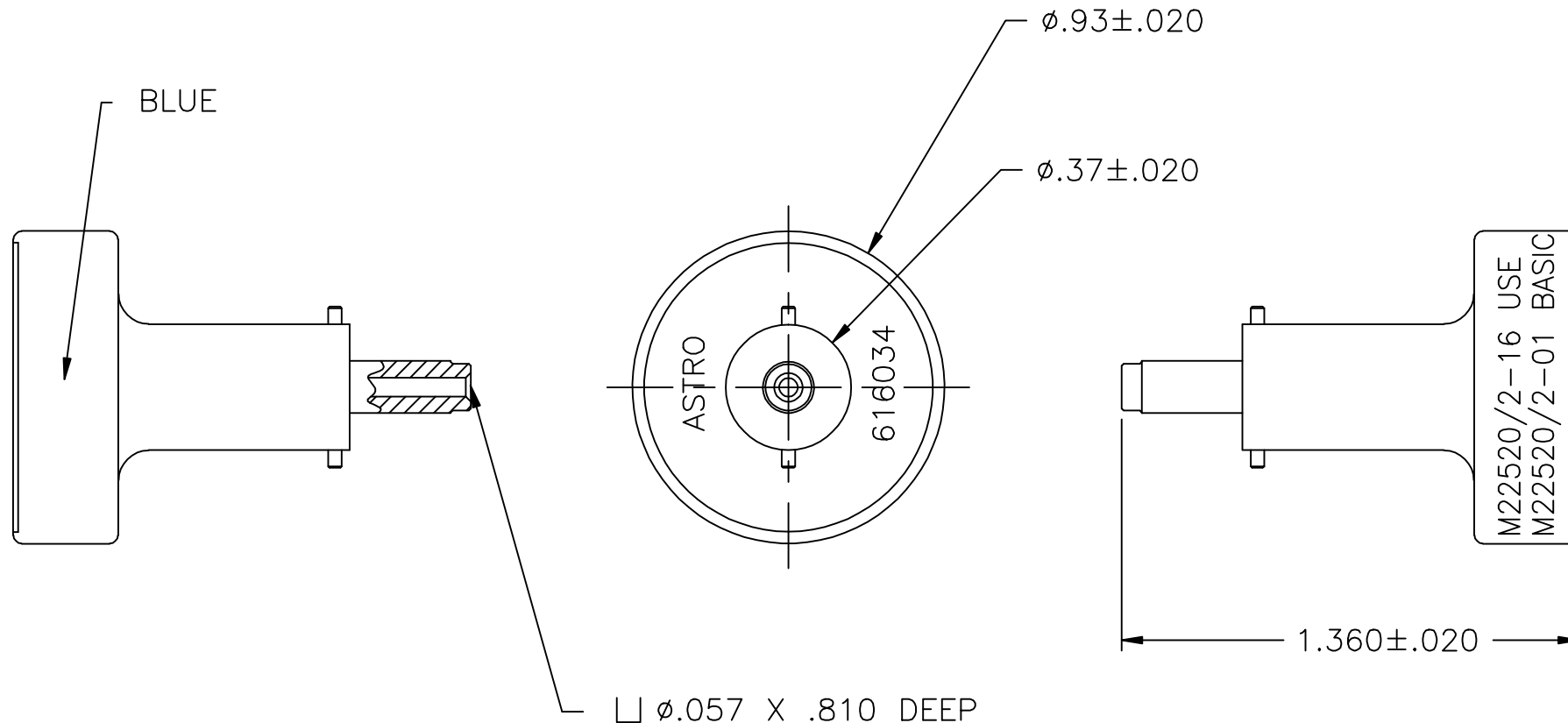


**UNCONTROLLED DOCUMENT  
WILL NOT BE UPDATED**

USE WITH CONTACTS				
WIRE	28	30	32	
23-28 SEL.	5	4	3	
WIRE	22	24	26	28
23-22 SEL.	4	3	2	1
M39029/17-23-28				
M39029/17-23-22				



NOTES: 1. THIS IS AN ACAD DRAWING DO NOT CHANGE MANUALLY.

				THESE DRAWINGS, SPECIFICATIONS OR OTHER DATA ARE AND REMAIN THE PROPERTY OF ASTRO TOOL CORP. AND MUST BE RETURNED UPON REQUEST. THEY CONTAIN INFORMATION OWNED AND/OR DEVELOPED BY ASTRO AT ITS OWN PRIVATE EXPENSE AND MAY NOT BE USED, DUPLICATED OR DISCLOSED TO OTHERS, IN WHOLE OR IN PART FOR DESIGN, MANUFACTURE OR PROCUREMENT WITHOUT THE WRITTEN PERMISSION OF ASTRO TOOL CORP. EACH AND EVERY TIME.		SCALE: N.T.S. DWN BY: DY0 DATE: 10-10-11 APPROVED:		UNLESS OTHERWISE SPECIFIED: DECIMALS: .XXX $\pm .005$ .XX $\pm .010$ .X $\pm .030$ ANGLES: $\pm 1^\circ$		CAGE 58164 <b>ASTRO TOOL CORP.</b> 21615 S.W. TUALATIN VALLEY HWY., BEAVERTON OR 97006	
REV.	DESCRIPTION	BY	DATE	APR.			DESCRIPTION: ENVELOPE DRAWING: 616034 POSITIONER (M22520/2-16)		PART NO. B 616034-ENV		
A	NEW RELEASE.	DY0	10-10-11	MMK							