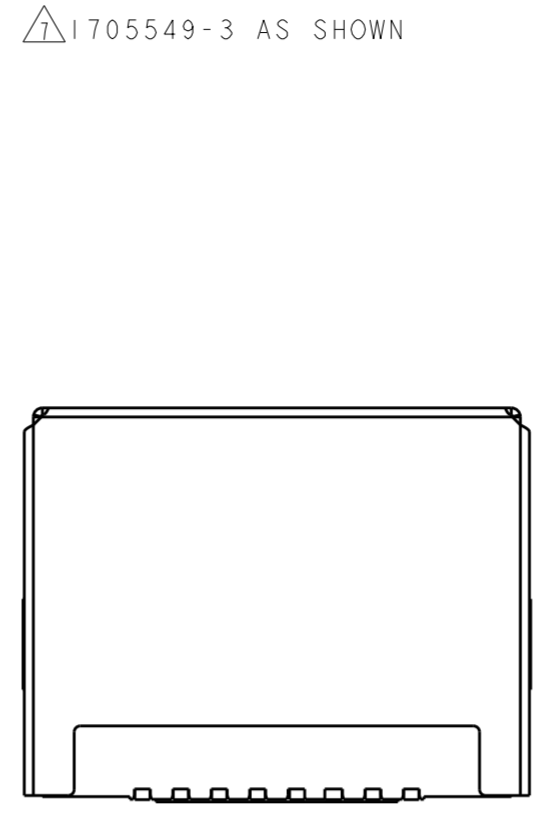
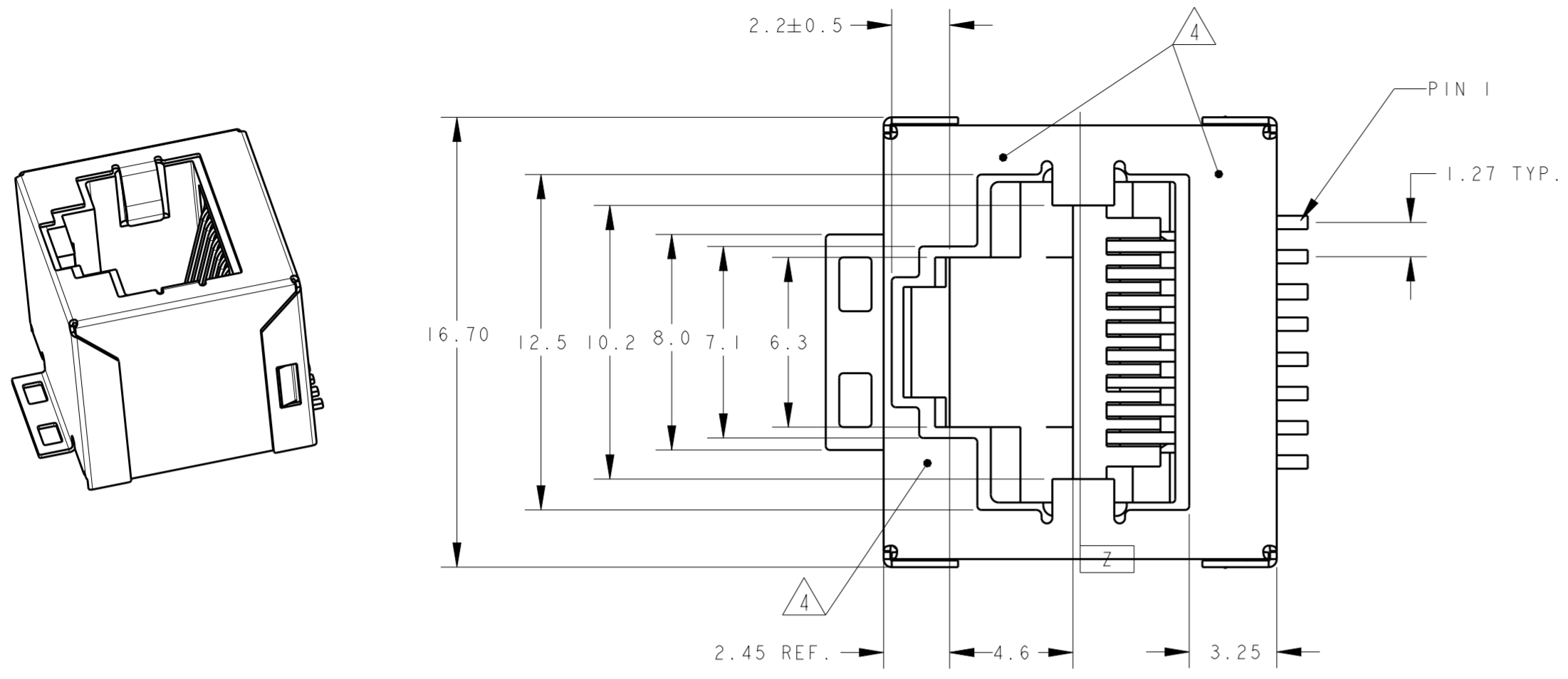
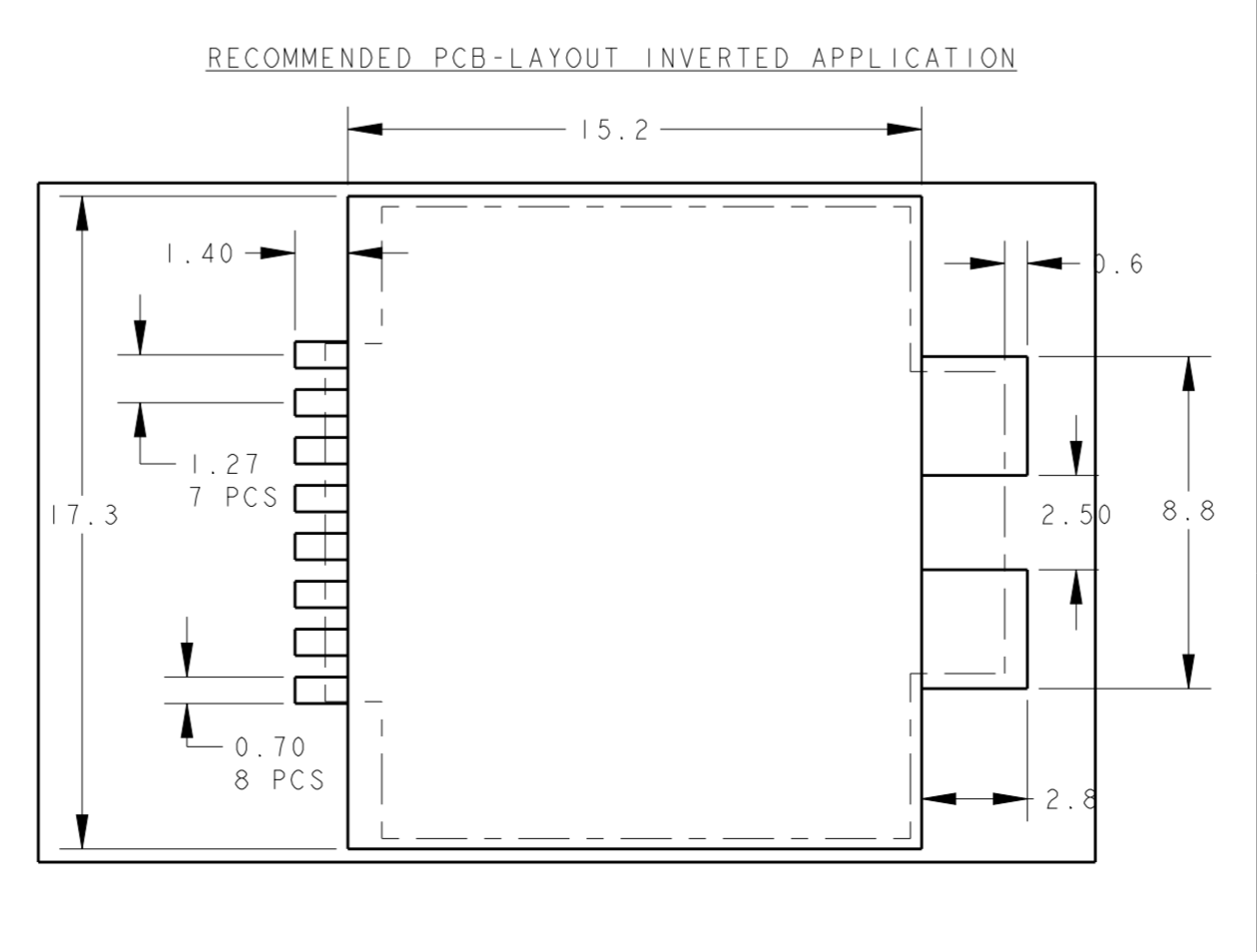
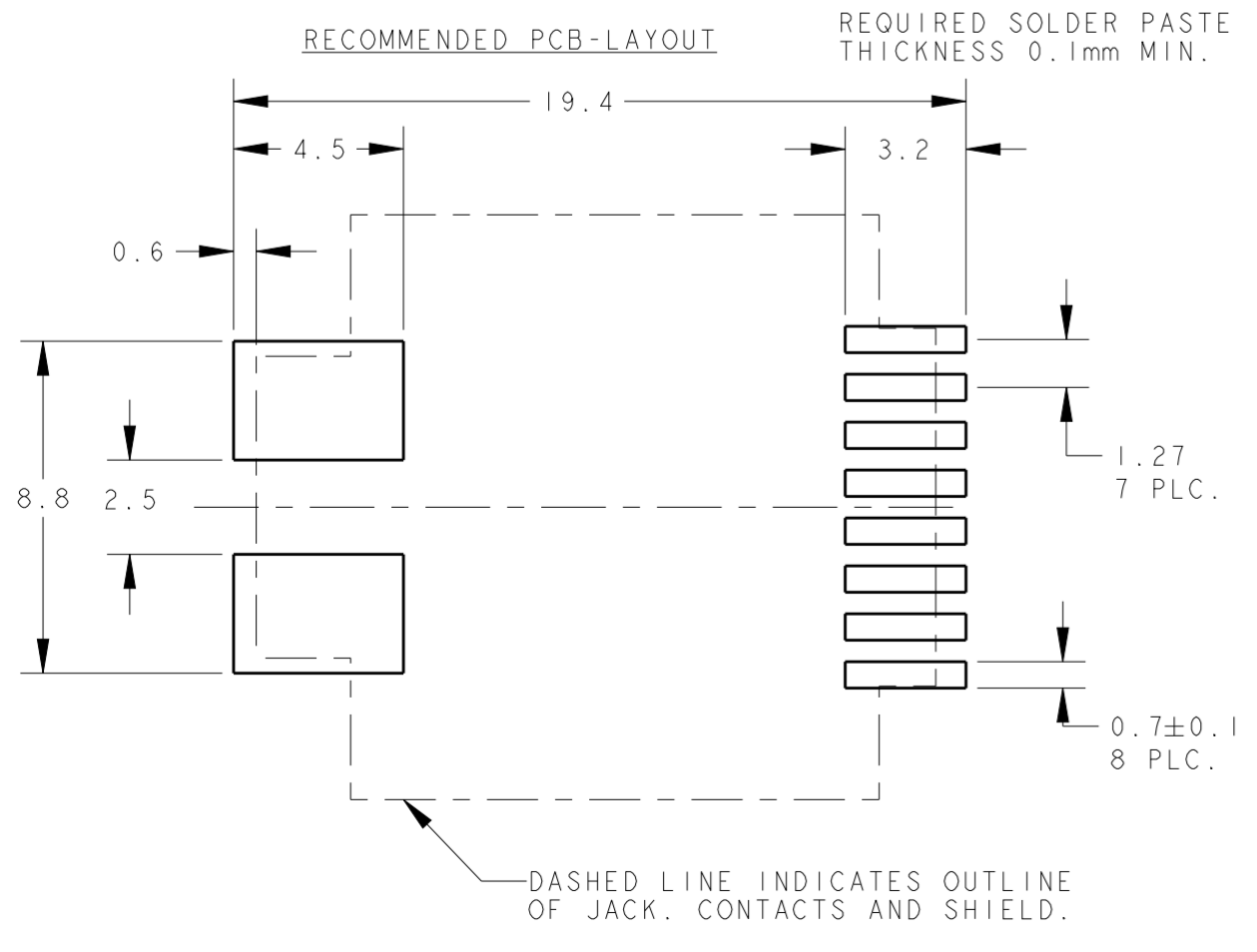
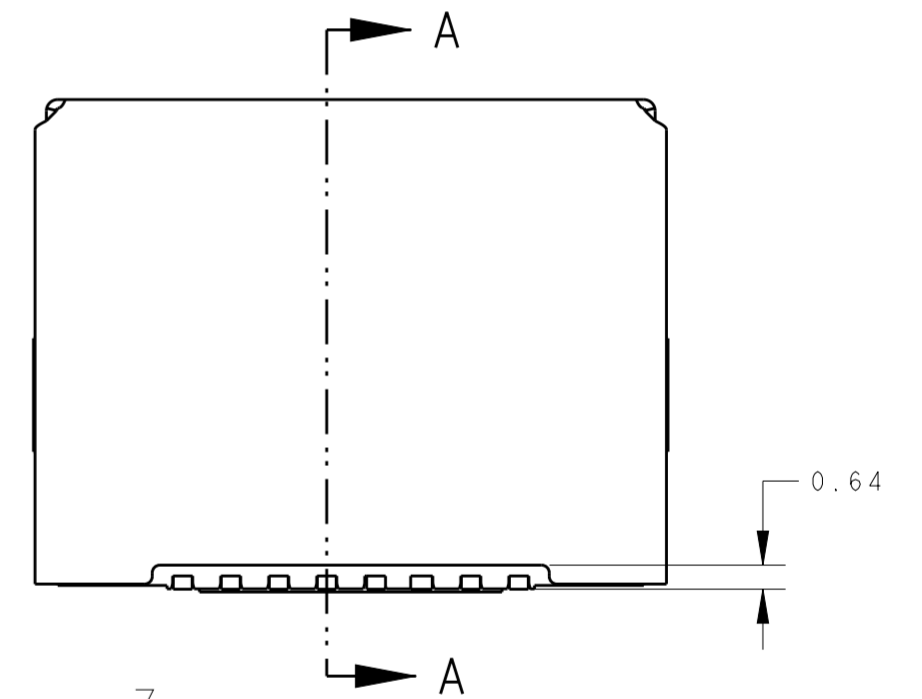
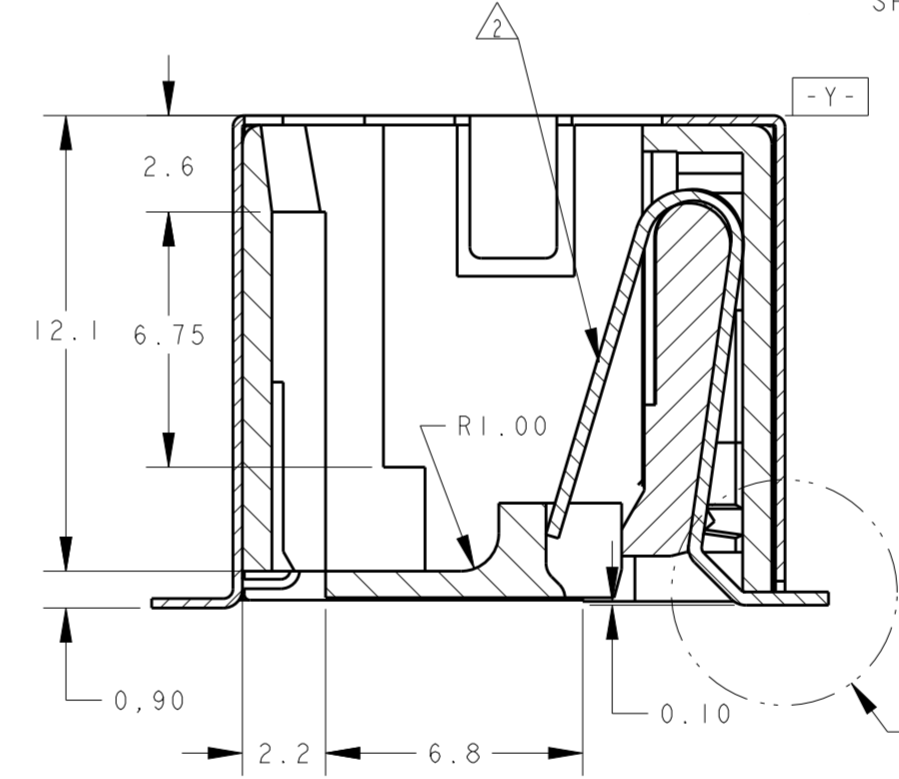
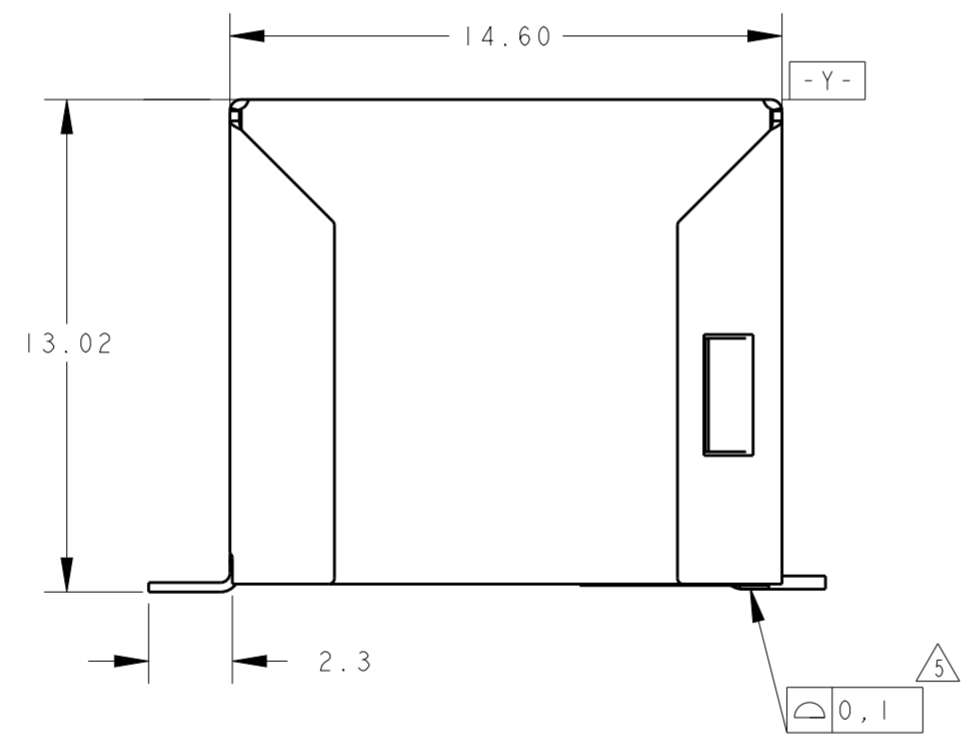
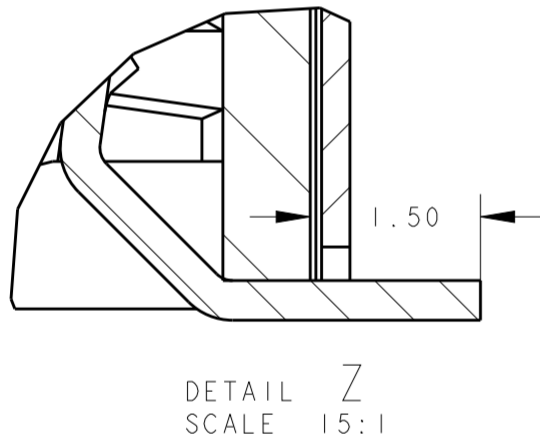


THIS DRAWING IS UNPUBLISHED. RELEASED FOR PUBLICATION 2011  
 © COPYRIGHT 2011 TE CONNECTIVITY ALL RIGHTS RESERVED.

LOC		DIST		REVISIONS			
P	LTR	DESCRIPTION	DATE	DWN	APVD		
F		SHIELD RAWMATERIAL CHANGED TO BRASS	08MAR2012	PS	RRP		
G		PER ECO-11-025237	-	PS	RRP		
H		ECR-11-021290	-	PS	RRP		
J		ECO-16-001320	13JUN2016	AD	SH		



- NOTES:
- 1 TOLERANCES UNLESS OTHERWISE SPECIFIED: ±0,15
  - 2 CONTACT PLATING:  
 OVERALL: Ni 1.27µm MIN. ALL OVER THE CONTACTS  
 SOLDER ZONE: Sn 3.5-5.0µm ON THE SOLDER ZONE OF THE CONTACT  
 MATING ZONE: PLATING CONFIRMS TO PRODUCT REQUIREMENTS AS PER SPECIFICATION 108-19117
  - 3 MATERIAL:  
 HOUSING: 30% G.F. PA 4T COLOR YELLOW, UL 94V-0  
 CONTACTS: PHOSPHOR BRONZE  
 SHIELD: TINPLATED BRASS
  - 4 SURFACE CAN BE USED FOR PICKING THE MODULAR JACK WITH TYPE II SMD MACHINE.
  - 5 MEASURED AT HEEL OF CONTACTS.  
 COPLANARITY AT TIPS MAX. 0,18 mm.
  - 6 TAPE AND REEL PACKING AS PER EIA 481-3
  - 7 MATERIAL:  
 HOUSING: 30% G.F. LCP COLOR BLACK, UL 94V-0  
 CONTACTS: PHOSPHOR BRONZE  
 SHIELD: TINPLATED BRASS



SECTION A - A

1705549-1 AS SHOWN.

7	BLACK	1705549-3	3
3	YELLOW	1705549-2	2
7	BLACK	1705549-1	1
MATERIAL	COLOUR	PART NUMBER	SL NO.

THIS DRAWING IS A CONTROLLED DOCUMENT.

DWN P. WILLEMS 17 JUN 04  
 CHK P. GROELS 17 JUN 04  
 APVD P. JAEGER

TE Connectivity

MODULAR JACK SMT, 8 POSITION

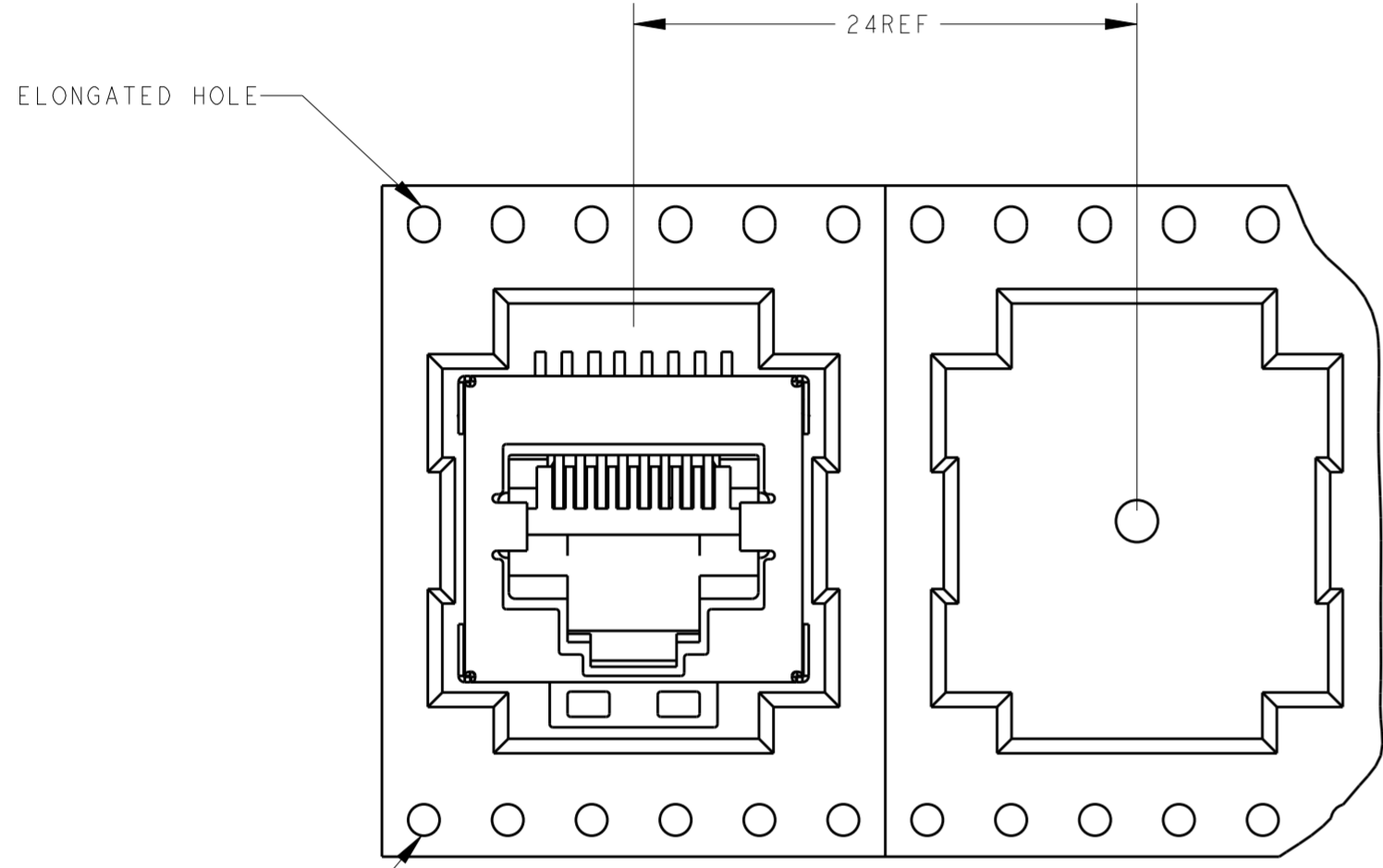
SIZE: A2 CAGE CODE: 0779 DRAWING NO: C-1705549 RESTRICTED TO: -

MATERIAL: SEE NOTE 3 - TOLERANCES UNLESS OTHERWISE SPECIFIED: SEE NOTE 2 - PRODUCT SPEC: - APPLICATION SPEC: - WEIGHT: - CUSTOMER DRAWING

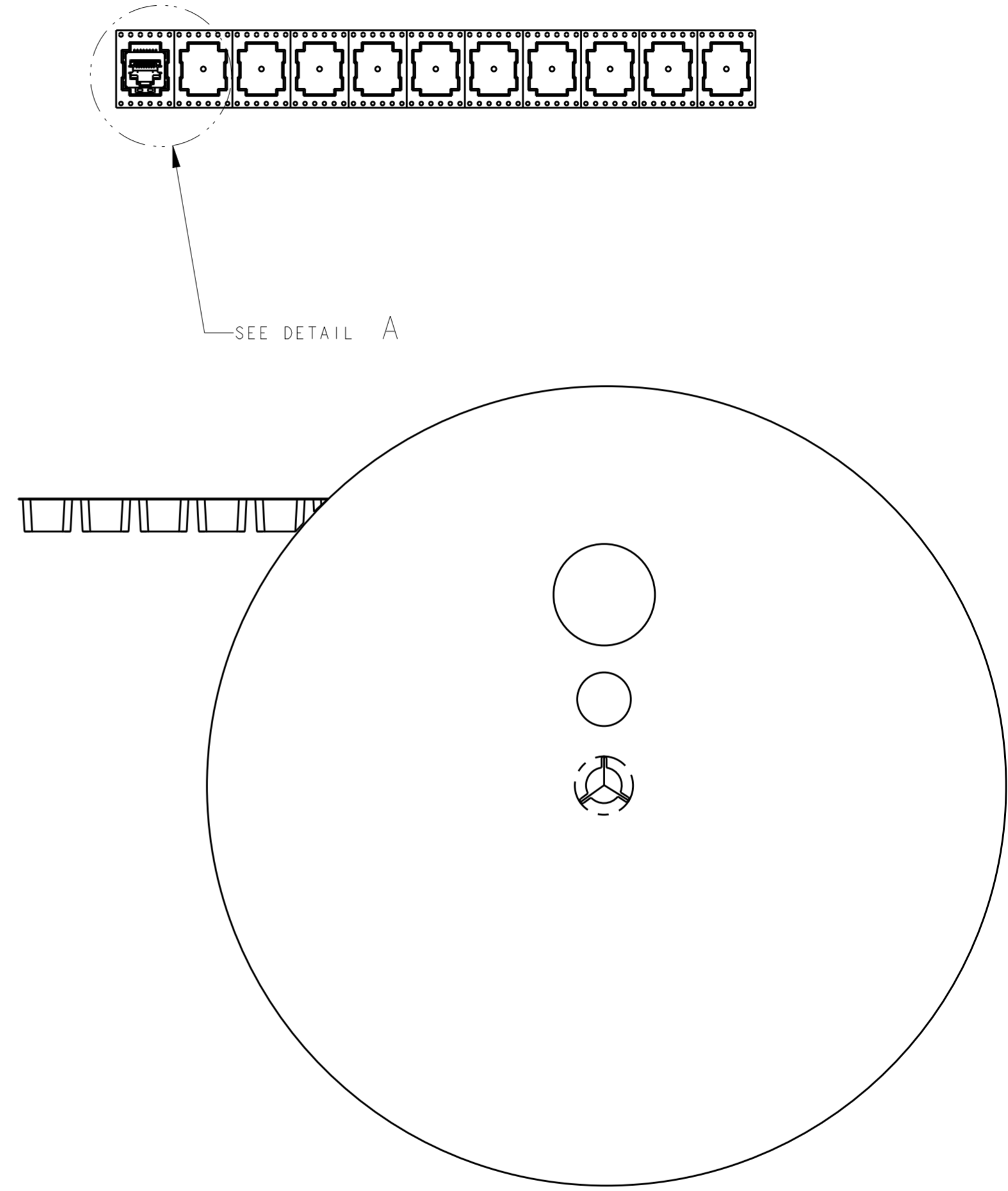
SCALE: 5:1 SHEET 1 OF 2 REV K

THIS DRAWING IS UNPUBLISHED. RELEASED FOR PUBLICATION 2011  
 © COPYRIGHT 2011 TE CONNECTIVITY ALL RIGHTS RESERVED.

LOC	DIST	REVISIONS			
P	LTR	DESCRIPTION	DATE	DWN	APVD
IR	-	SEE SHEET 1	-	-	-



DETAIL A  
SCALE 3:1



SCALE 1:2

THIS DRAWING IS A CONTROLLED DOCUMENT.		DWN P. WILLEMS 17 JUN 04	TE Connectivity	
		CHK P. GROELS 17 JUN 04		
DIMENSIONS:		APVD P. JAEGER	NAME MODULAR JACK SMT , 8 POSITION,	
mm	TOLERANCES UNLESS OTHERWISE SPECIFIED:	PRODUCT SPEC	SIZE   CAGE CODE   DRAWING NO   RESTRICTED TO	
	0 PLC ±	APPLICATION SPEC	A20779C-1705549	
	1 PLC ±0.15	WEIGHT	SCALE 5:1   SHEET 2 OF 2   REV K	
	2 PLC ±0.05	CUSTOMER DRAWING		
	3 PLC ±0.005			
	4 PLC ±			
	ANGLES ±			
	FINISH			