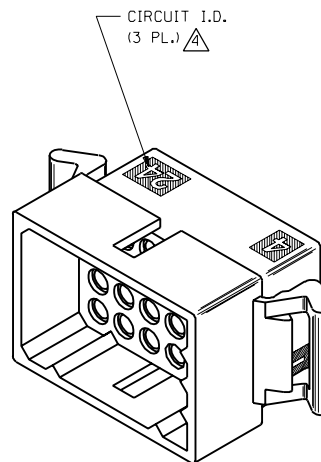
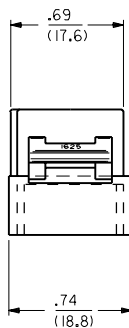
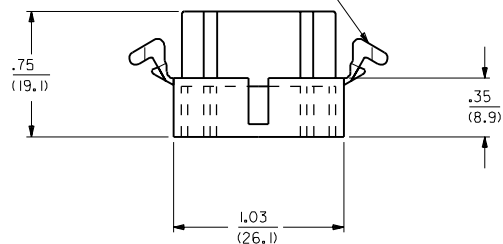
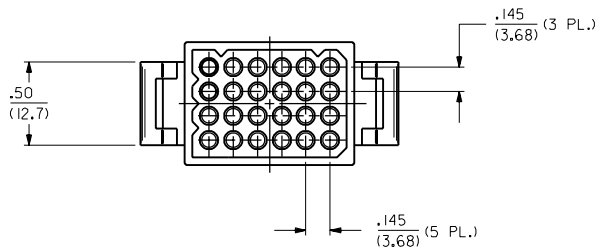


OPTIONAL MOUNTING EAR (2 PL.)
(PREBENT EAR SHOWN)
SEE DETAIL 1 OR 2



PLUG HOUSING



P	3	P	REMOVE -R1 VERSIONS ECR U2 1123 C/C 1/28/92	RW
O	2	P	REVISE PER ECR U2 0773 C/C 5/20/92	RW
N	1	P	ADD CIRCUIT I.D. ECR U1 1665 C/C 8/5/91	RW
M	2	P	REVISED & REDRAWN ECR U0 0539 C/C 8/6/90	RW
MFG.	SH.	REV.	LTR.	REVISIONS

DIMENSIONS SHOWN METRIC (INCH)		UNLESS OTHERWISE SPECIFIED TOLERANCES: ANGULAR ± .002 30°		TITLE	
				.062/(1.57) HOUSINGS PLUG & RECEPTACLE 24 CIRCUIT ±.145/(3.68) CTRS.	
				MOLEX INCORPORATED SHEET NO. DATE L15LEJLL 60532 U.S.A. 1 of 3 8 / 6 / 90	
DRAFT WHERE APPLICABLE MUST REMAIN WITHIN DIMENSIONS		PART NO. SEE CHART		DRWG. NO. SD-1625-24*	
DRWG. BY: GWF	CHKD. BY: RW	FILE NAME: 5162524X1	SCALE: 2:1	REV.:	SIZE: CP

