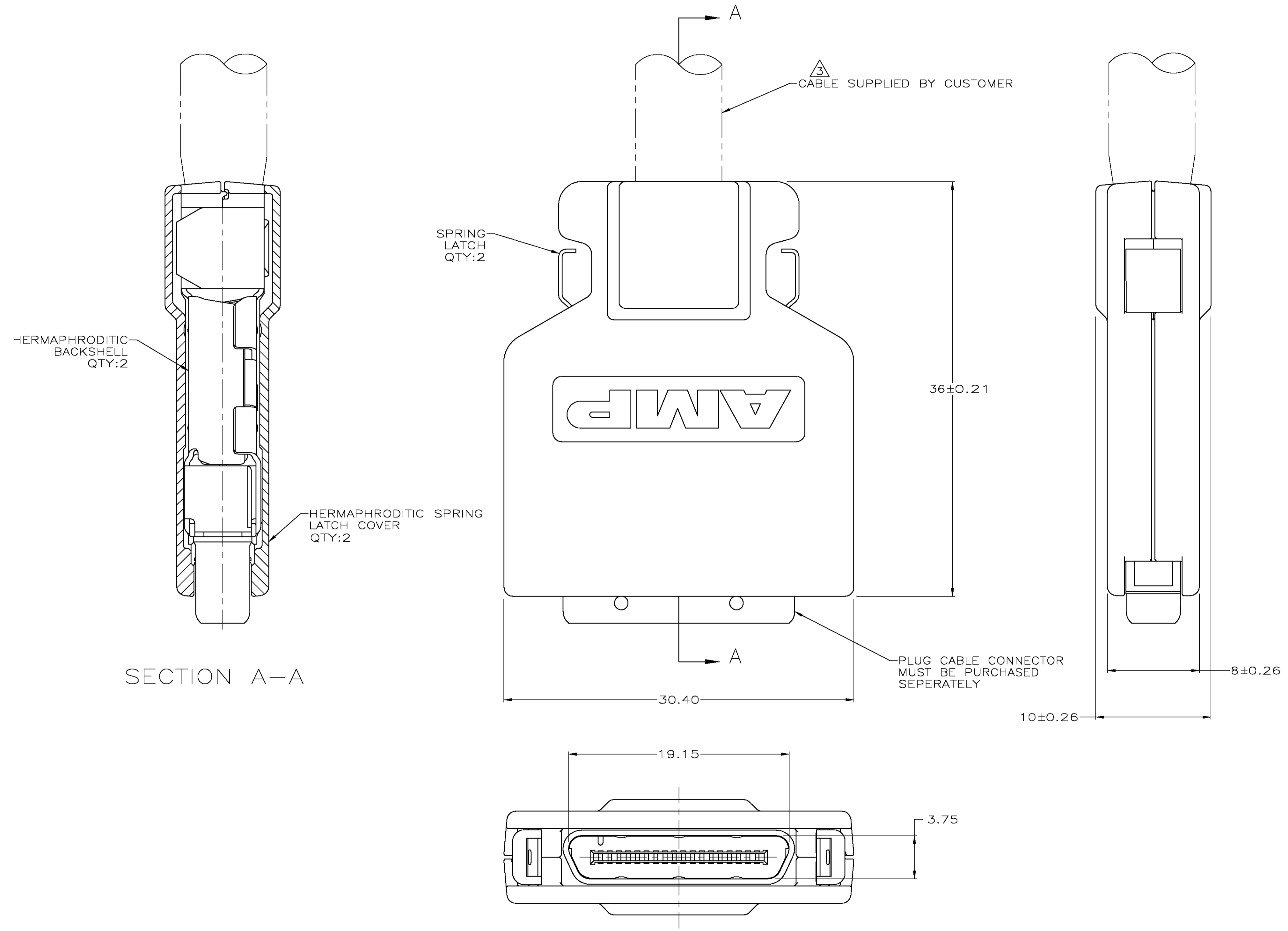


LOC		DIST		REVISONS			
P	LR	DESCRIPTION	DATE	DRN	APVD		
C		REDRAWN PER EC 0513-0148-04		OBMAR05	TS	JG	



- △ MATERIAL:
 HERMAPHRODITIC BACKSHELL- STEEL.
 SPRING LATCH- STAINLESS STEEL.
 HERMAPHRODITIC SPRING LATCH COVER- UL 94V-0 RATED
 ABS MOLDING COMPOUND, COLOR-BLACK.
- △ PLATING:
 HERMAPHRODITIC BACKSHELL- 5µm MIN BRIGHT NICKEL OVER
 2.5µm MIN COPPER.
- △ RECOMMENDED WIRE: 30 AWG WITH A 0.56-0.64 INSULATION DIAMETER,
 WIRE MUST BE APPROVED BY AMP ENGINEERING.

OBSELETE	INDIVIDUAL KIT	787231-2
	BULK, 100 KITS	787231-1
	PACKAGING	PART NUMBER

THIS DRAWING IS A CONTROLLED DOCUMENT.

DRN T. SHUEY	OBMAR05	tyco Electronics	Tyco Electronics Corporation Harrisburg, Pa 17105-3608	
CHK J. GERACE	OBMAR05		NAME	
APVD W. WALMSLEY	OBMAR05	PRODUCT SPEC	BACKSHELL KIT, 36 POSITION, SQUEEZE TO RELEASE, CABLE CONNECTOR, 0.8mm CHAMP	
		APPLICATION SPEC	SIZE	CAGE CODE DRAWING NO
			A1	00779 C=787231
MATERIAL	FINISH	WEIGHT	CUSTOMER DRAWING	RESTRICTED TO
			SCALE 5:1	SHEET 1 OF 1 REV C