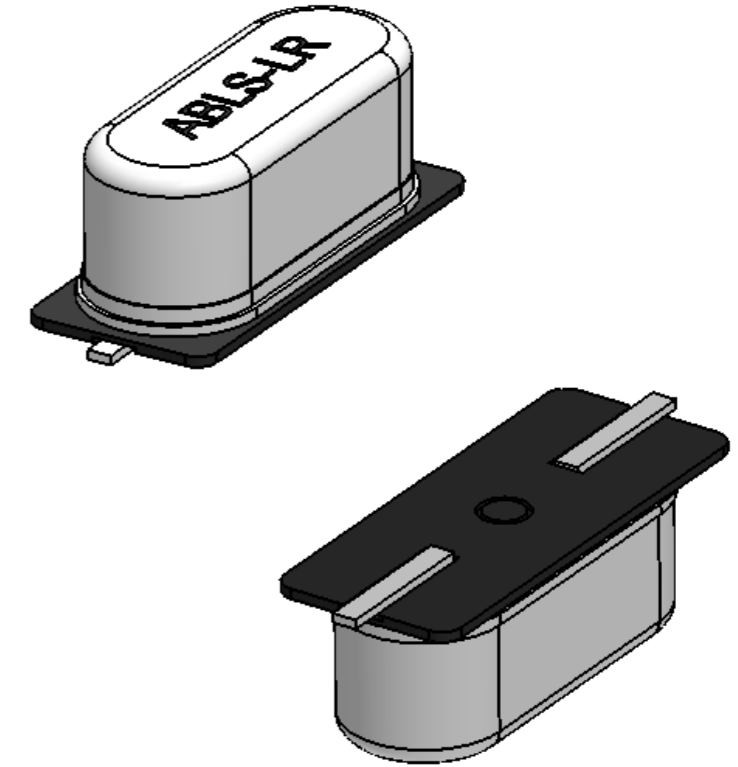
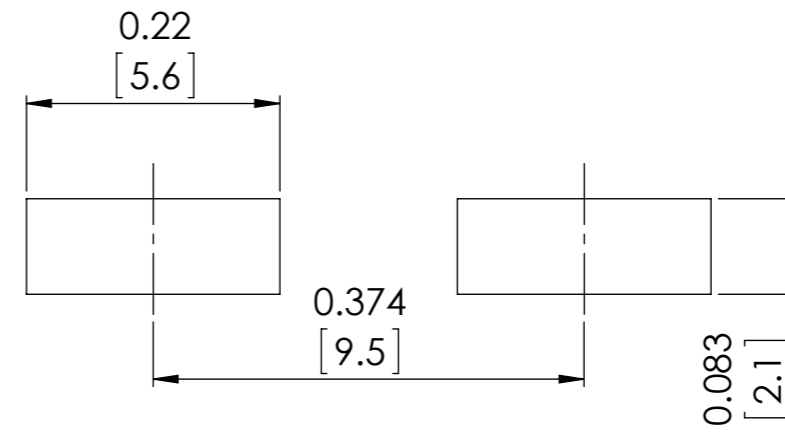



Recommended Land Pattern



| | | | | | | | | |
|--|---------|-----------|------|---------|-----------------------------------|--|----------|----|
| UNLESS OTHERWISE SPECIFIED: DIMENSIONS ARE IN INCH(MM) SURFACE FINISH: TOLERANCES: LINEAR: ANGULAR: | | | | FINISH: | DEBUR AND BREAK SHARP EDGES | DO NOT SCALE DRAWING | REVISION | - |
| DRAWN | SAAZVAT | SIGNATURE | DATE | | |  30332 Esperanza, Rancho Santa margarita, California 92688 | | |
| CHK'D | XXXXXX | | | | | TITLE: CRYSTAL | | |
| APPV'D | | | | | | DWG NO. ABL5-LR | | A3 |
| MFG | | | | | MATERIAL: | SCALE:6:1 | | |
| Q.A | | | | | WEIGHT: 0.00 | SHEET 1 OF 1 | | |