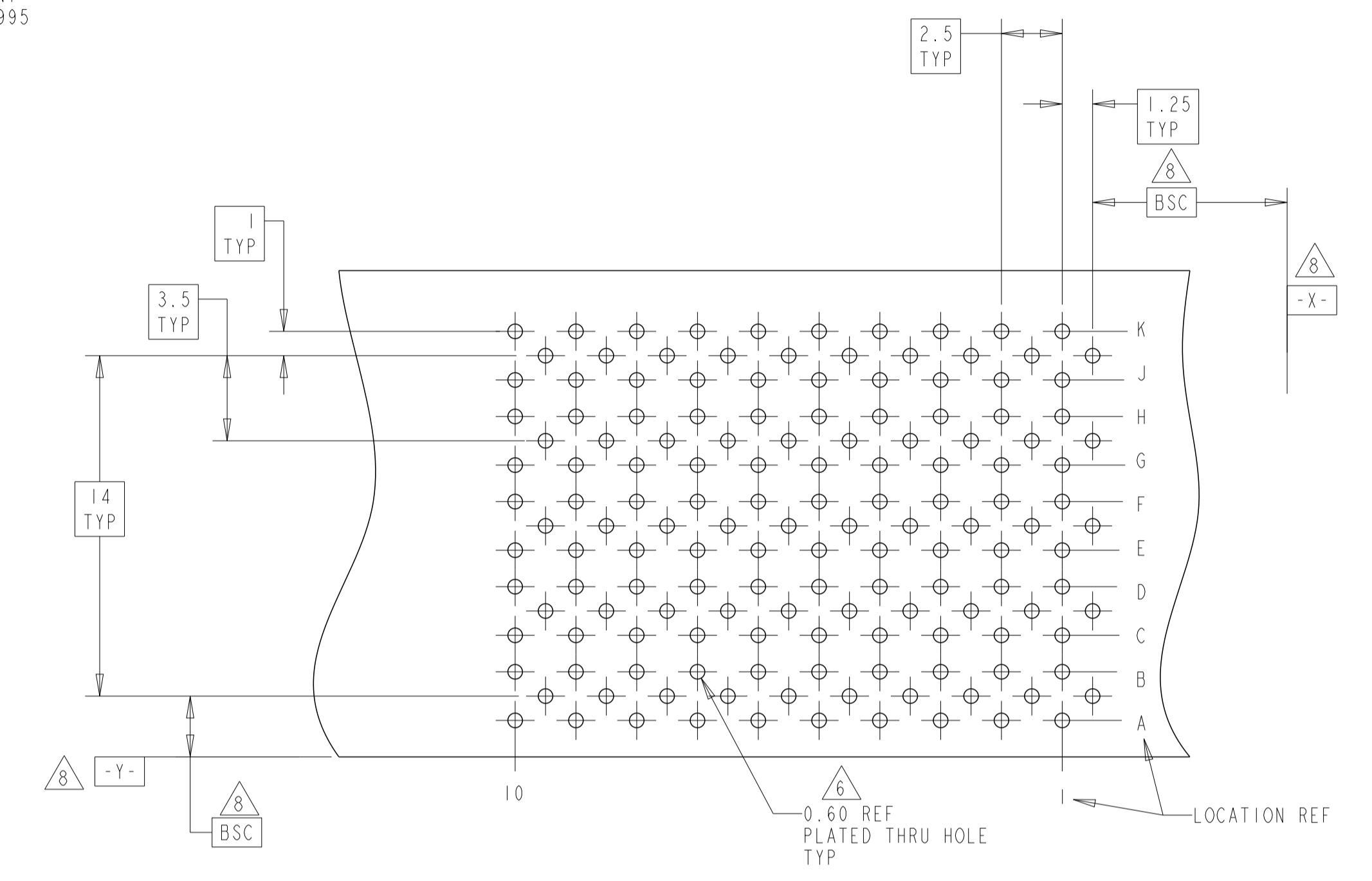
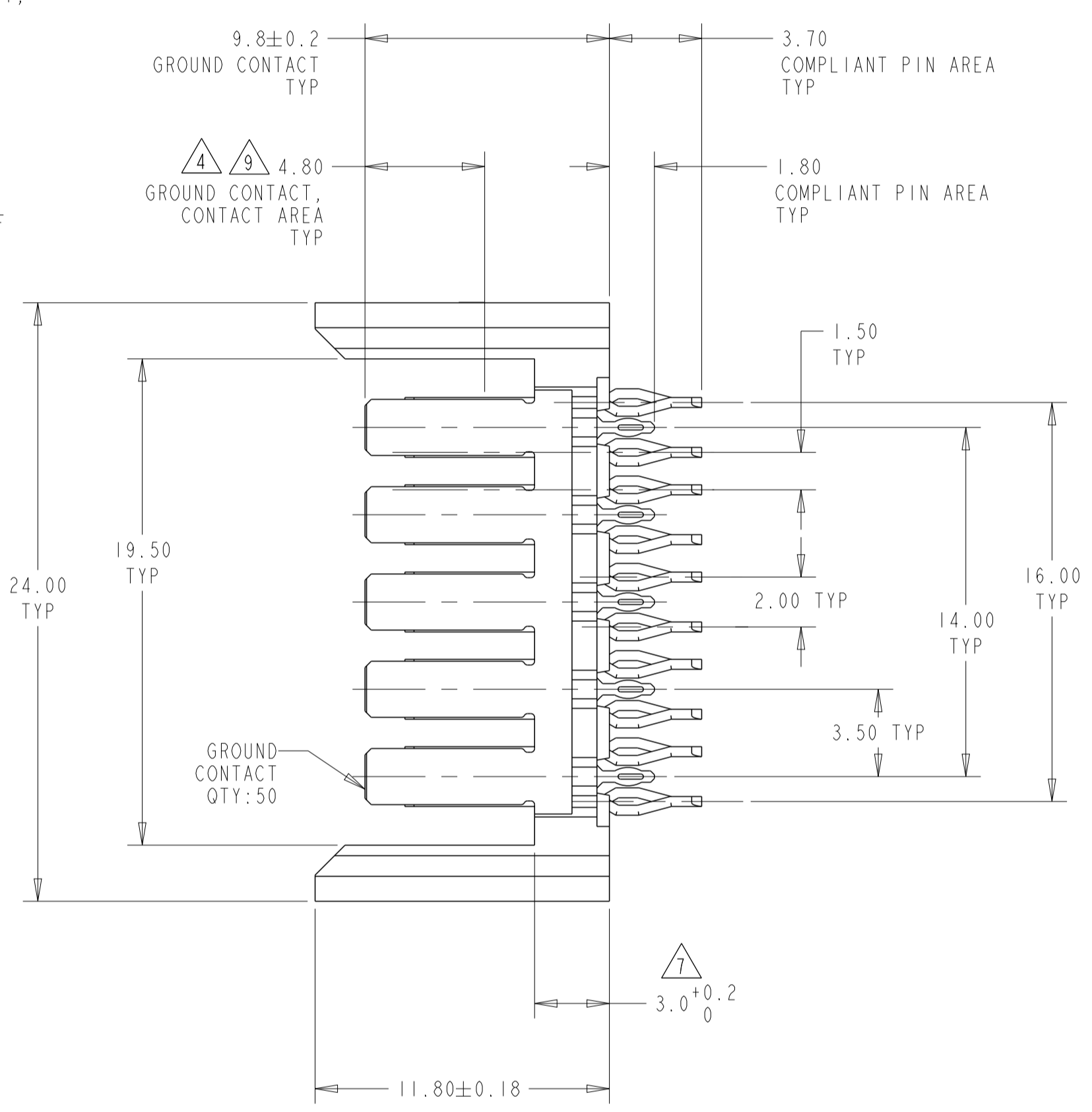
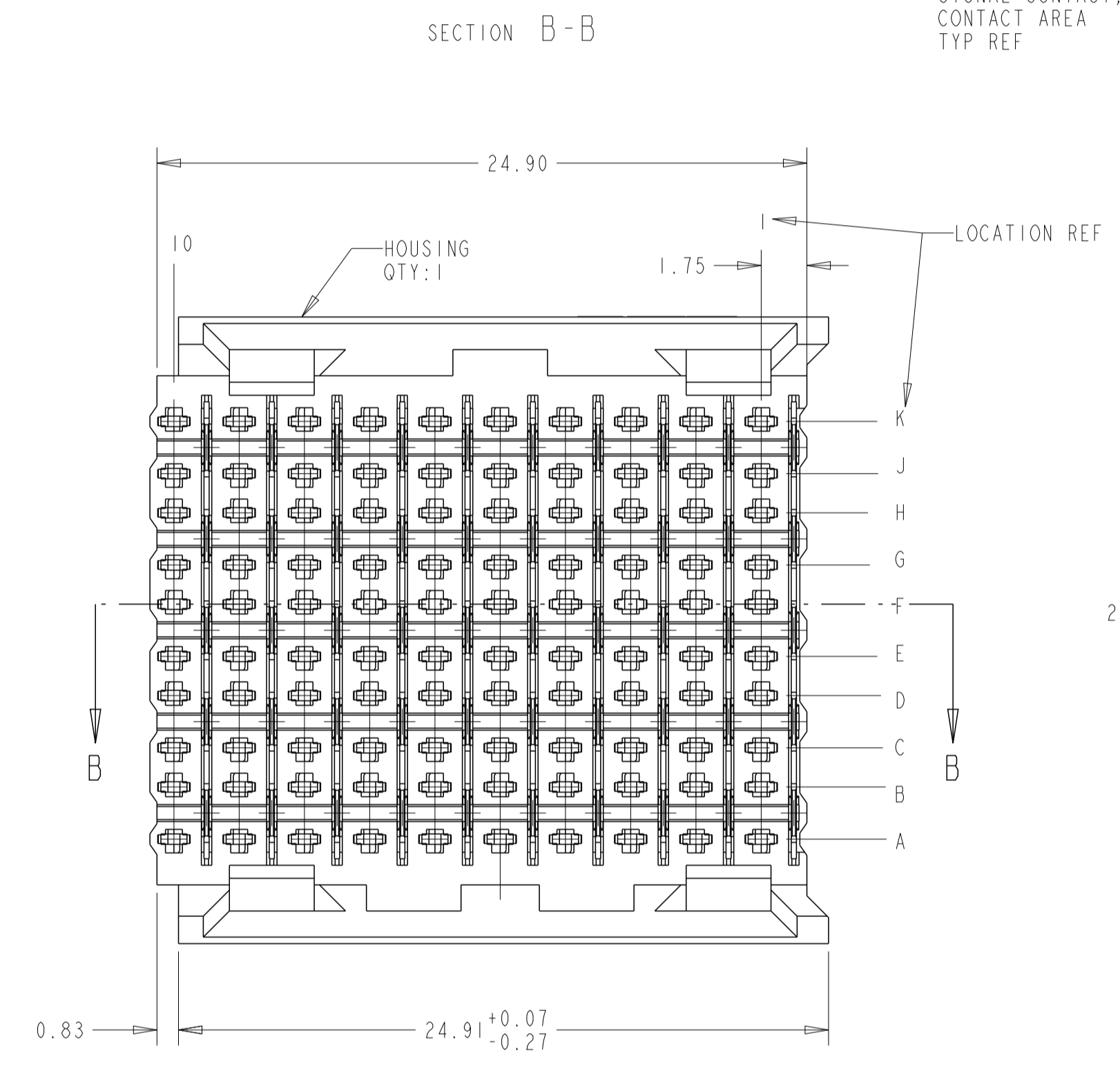
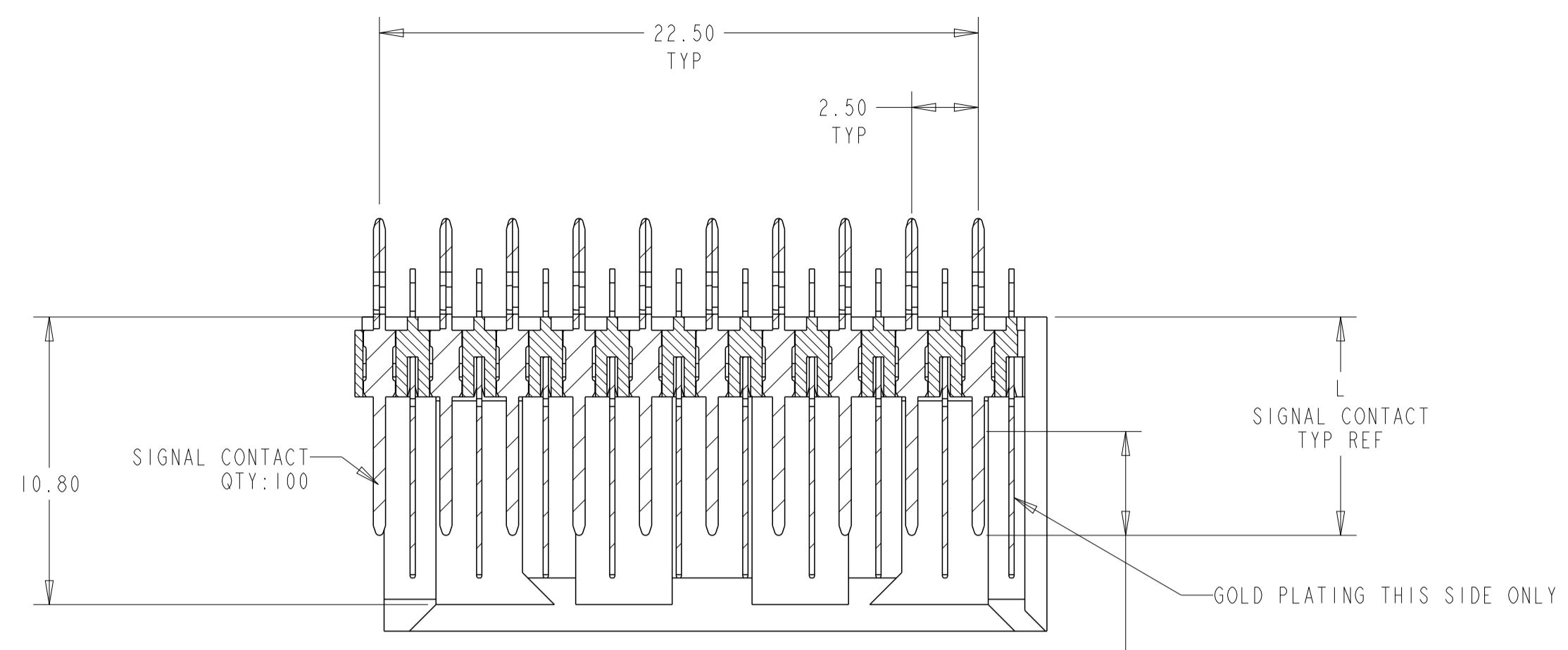
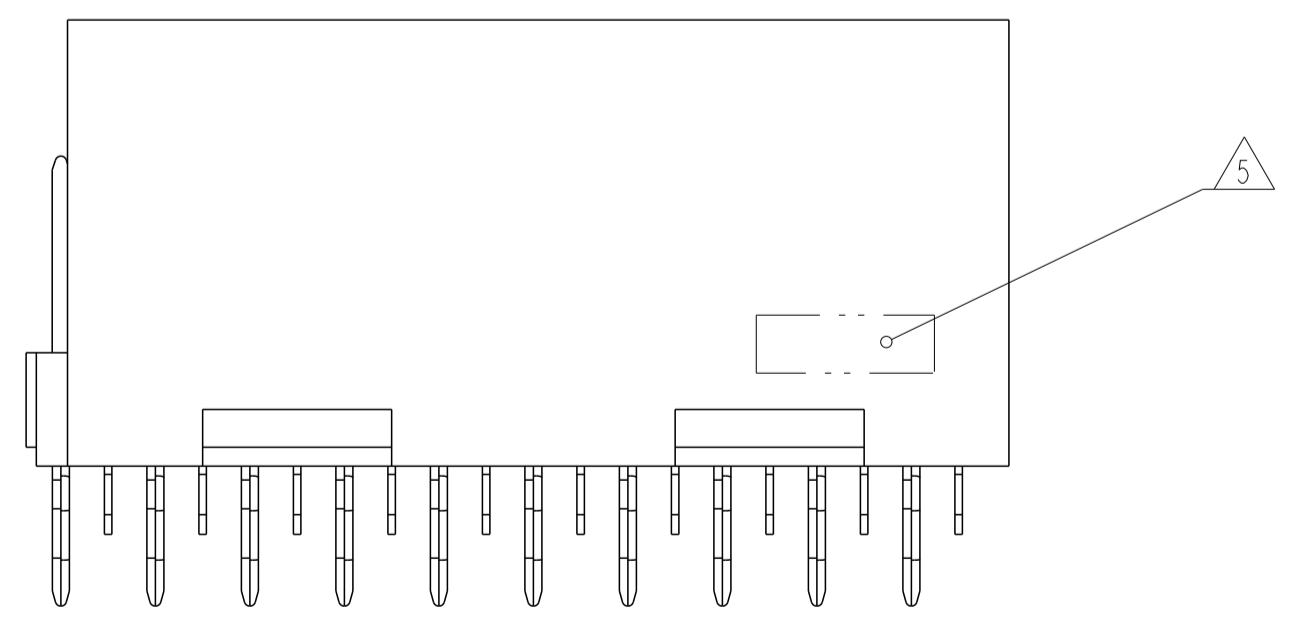


LOC	DIST	REVISIONS					
		P	LTN	DESCRIPTION	DATE	DWN	APVD
AD	00	A		REVISED PER ECO-13-004852	16APR2013	KH	RP

- 2 PHOSPHOR BRONZE
- 3 LCP, UL94V-0
- 4 GOLD FLASH OVER 0.30µm MIN PALLADIUM-NICKEL OVER 1.27µm MIN NICKEL UNDERPLATE ON CONTACT AREA. 0.76µm MIN TIN OVER 1.27µm MIN NICKEL ON COMPLIANT PIN AREA
- 5 CONNECTOR MARKED WITH PART NUMBER AND DATE CODE
- 6 REFERENCE APPLICATION SPEC 114-13020 FOR RECOMMENDED PLATED THRU HOLE DIAMETER AND PLATING THICKNESS.
- 7 APPLICATION SEATING HEIGHT TO PRINTED CIRCUIT BOARD
- 8 DATUMS AND BASIC DIMENSIONS ESTABLISHED BY CUSTOMER
- 9 CONTACT AREA LUBRICATED WITH BELLCORE APPROVED LUBRICANT TECHNICAL REFERENCE: GR-1217-CORE, ISSUE 1, NOVEMBER 1995



RECOMMENDED
PRINTED CIRCUIT BOARD
LAYOUT
COMPONENT SIDE OF PRINTED CIRCUIT BOARD



3.90	8.2	6645401-1
M	L	PART NUMBER

THIS DRAWING IS A CONTROLLED DOCUMENT.

DIMENSIONS:	TOLERANCES UNLESS OTHERWISE SPECIFIED:	DWN: B. CARBO 06DEC04	CHK: M. BOWERS 06DEC04	APVD: M. BOWERS 06DEC04	NAME: HEADER ASSEMBLY, 100 POSN, 7-PACK HS3 BACKPLANE CONNECTOR
mm	0 PLC ± 1 PLC ± 2 PLC ±0.13 3 PLC ±0.05 4 PLC ± ANGLES ±	MATERIAL: HOUSING: 3	CONTACTS: 2	SIGNAL CONTACT: 4	SIZE: A1
Customer Drawing		WEIGHT: -	CAGE CODE: 00779	DRAWING NO: 6645401	RESTRICTED TO: -
		SCALE: 5:1	SHEET: 1	OF: 1	REV: A

4805 (3/11)