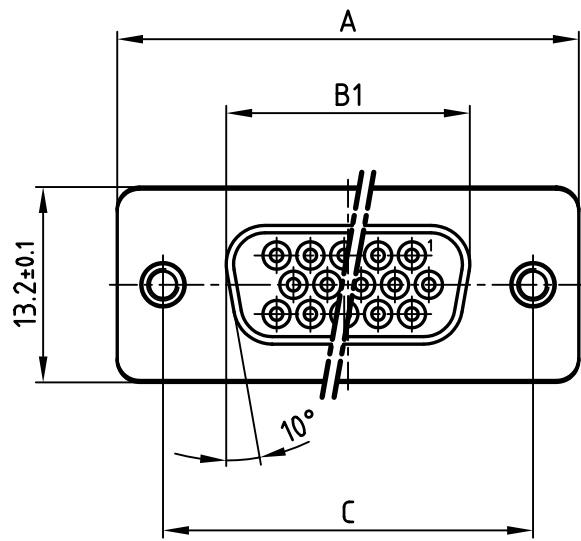
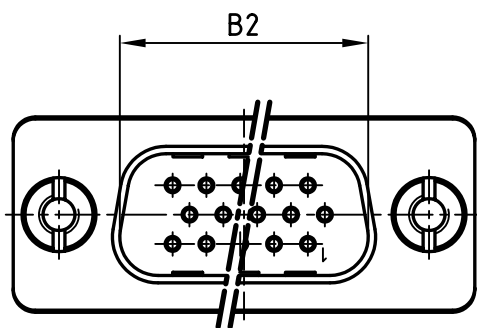
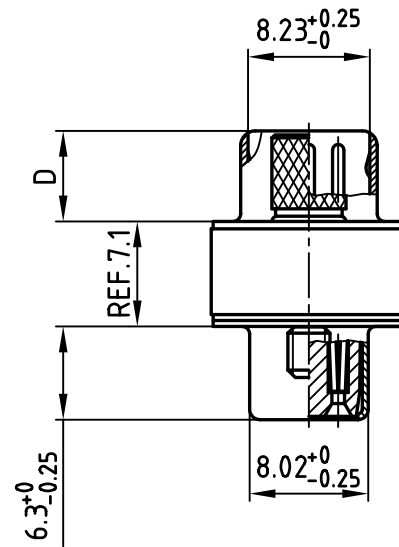
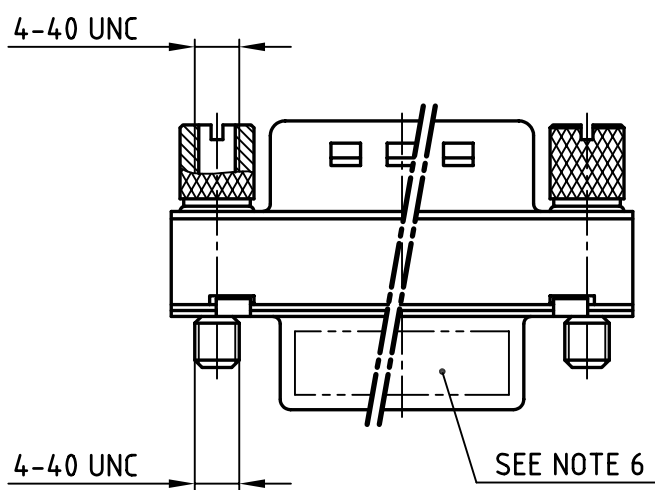


used for: D-SUB HD



POS.	A ^{-0.76}	B1 ^{-0.25}	B2 ^{+0.25}	C	D ^{-0.3}	Art-Nr.
15	31.19	16.46	16.79	25.00 ^{+0.12} _{-0.13}	6.12	164A03399X
26	39.52	24.79	25.12	33.30 ^{+0.15} _{-0.1}	6.12	164A03919X
44	53.42	38.50	38.84	47.04±0.13	5.99	164A03929X
62	69.70	54.96	55.30	63.50±0.13	5.99	164A03939X



NOTES:

- METALSHELLS: STEEL; min. 320µin TIN
- INSULATORS: PBT GF UL 94 V-0, BLACK
- CONTACTS: COPPER ALLOY
PLATING: 8µin HARD GOLD OVER min. 50µin NICKEL
- THREADED INSERT: COPPER ALLOY; min. 200µin TIN over 80µin NICKEL
- MAXIMUM TORQUE VALUE FOR THREAD: 6 in.LB
- CONNECTOR IS PART MARKED: PART-NO. CONEC ABC

Directive 2002/95/EC
 „RoHS“
 Compliant

APPROVAL # FREIGABE # DEBLOCAGE # AUTOR/ZACION # APPROVAL	
CUSTOMER APPROVAL DATE:	
NAME:	TITLE:
COMPANY NAME:	
APPROVAL # FREIGABE # DEBLOCAGE # AUTOR/ZACION # APPROVAL	

THIS DRAWING MAY NOT BE COPIED OR REPRODUCED IN ANY WAY, AND MAY NOT BE PASSED ON TO A THIRD PARTY WITHOUT WRITTEN PERMISSION. OWNERSHIP AND COPYRIGHT OF CONEC GmbH		
DO NOT ALTER CAD DRAWING BY HAND		
rev.	description	date name

tolerance		 dim. in mm	scale: 2:1
			material: SEE NOTES
2005	date	name	D-SUB HD ADAPTER 15-62pos. MALE / FEMALE with Adapter screws 4-40 UNC
drawn	03.05.	Schmidt	
appd.	03.05.	Kühle	
norm	DIN 41652		
d-old			dwg no: AutoCAD 2004
CONEC [®]			DIN-A
			3
			sh: 1/1
			part no: SEE TABLE

6

5

4

2

1