

### FEATURES

- High accuracy supports 50 Hz/60 Hz IEC 62053-21**
- Less than 0.1% error over a dynamic range of 500 to 1**
- Compatible with 3-phase, 3-wire delta and 3-phase, 4-wire Wye configurations**
- Supplies average active power on the frequency outputs F1 and F2**
- High frequency output (CF) is intended for calibration and supplies instantaneous active power**
- Logic output REVP indicates a potential miswiring or negative power on the sum of all phases**
- Direct drive for electromechanical counters and 2-phase stepper motors (F1 and F2)**
- Proprietary ADCs and DSP provide high accuracy over large variations in environmental conditions and time**
- On-chip power supply monitoring**
- On-chip creep protection (no load threshold)**
- On-chip reference 2.4 V  $\pm$  8% (25 ppm/ $^{\circ}$ C typical) with external overdrive capability**
- Single 5 V supply, low power (42.5 mW typical)**
- Low cost CMOS process**

### GENERAL DESCRIPTION

The ADE7752B is a high accuracy polyphase electrical energy measurement IC. The ADE7752B specifications surpass the accuracy requirements as quoted in the IEC62053-21 standard.

The only analog circuitry used in the ADE7752B is in the analog-to-digital converters (ADCs) and reference circuit. All other signal processing (for example, multiplication, filtering, and summation) is carried out in the digital domain. This approach provides superior stability and accuracy over extremes in environmental conditions and over time.

The ADE7752B supplies average active power information on the low frequency outputs, F1 and F2. These logic outputs can be used to directly drive an electromechanical counter or to interface with a microcontroller (MCU). The CF logic output gives instantaneous active power information. This output is intended to be used for calibration purposes.

The ADE7752B includes a power supply monitoring circuit on the  $V_{DD}$  pin. The ADE7752B remains inactive until the supply voltage on  $V_{DD}$  reaches 4 V. If the supply falls below 4 V, the ADE7752B resets and no pulses are issued on F1, F2, and CF.

Internal phase matching circuitry ensures that the voltage and current channels are phase matched. An internal no load threshold ensures that the ADE7752B does not exhibit any creep when there is no load.

The ADE7752B is available in a 24-lead SOIC package.

### FUNCTIONAL BLOCK DIAGRAM

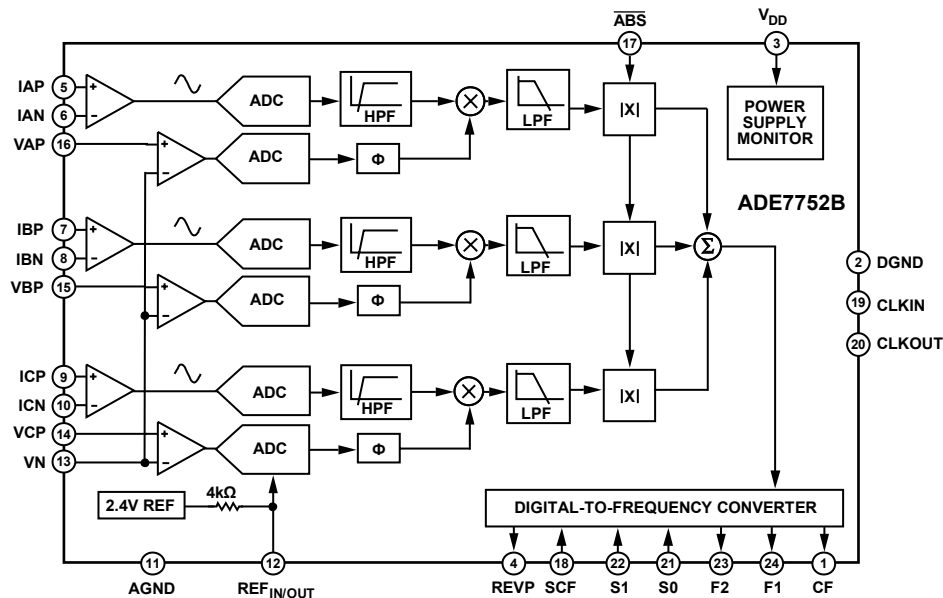


Figure 1.

### Rev. 0

Information furnished by Analog Devices is believed to be accurate and reliable. However, no responsibility is assumed by Analog Devices for its use, nor for any infringements of patents or other rights of third parties that may result from its use. Specifications subject to change without notice. No license is granted by implication or otherwise under any patent or patent rights of Analog Devices. Trademarks and registered trademarks are the property of their respective owners.

## TABLE OF CONTENTS

Features .....	1	Voltage Channels.....	13
General Description .....	1	Typical Connection Diagrams.....	14
Functional Block Diagram .....	1	Current Channel Connection.....	14
Revision History .....	2	Voltage Channel Connection.....	14
Specifications.....	3	Meter Connections.....	14
Timing Characteristics .....	4	Power Supply Monitor .....	16
Absolute Maximum Ratings.....	5	HPF and Offset Effects .....	17
ESD Caution.....	5	Digital-to-Frequency Conversion .....	18
Pin Configuration and Function Descriptions.....	6	Accumulation of 3-Phase Power .....	19
Typical Performance Characteristics .....	8	Transfer Function .....	20
Terminology .....	9	Frequency Outputs F1 and F2 .....	20
Test Circuit .....	10	Frequency Output CF .....	21
Theory of Operation .....	11	Selecting a Frequency for an Energy Meter Application.....	22
Power Factor Considerations.....	11	Frequency Outputs.....	22
Nonsinusoidal Voltage and Current .....	12	No-Load Threshold.....	23
Analog Inputs.....	13	Outline Dimensions .....	24
Current Channels .....	13	Ordering Guide .....	24

## REVISION HISTORY

8/07—Revision 0: Initial Version

## SPECIFICATIONS

$V_{DD} = 5\text{ V} \pm 5\%$ ,  $AGND = DGND = 0\text{ V}$ , on-chip reference,  $CLKIN = 10\text{ MHz}$ ,  $T_{MIN}$  to  $T_{MAX} = -40^{\circ}\text{C}$  to  $+85^{\circ}\text{C}$ , unless otherwise noted.

**Table 1.**

Parameter	Conditions	Min	Typ	Max	Unit
<b>ACCURACY<sup>1,2</sup></b>					
Measurement Error on Current Channel	Voltage channel with full-scale signal ( $\pm 500\text{ mV}$ ), $25^{\circ}\text{C}$ , over a dynamic range of 500 to 1		0.1		% reading
Phase Error Between Channels PF = 0.8 Capacitive				$\pm 0.1$	Degrees
PF = 0.5 Capacitive				$\pm 0.1$	Degrees
AC Power Supply Rejection Output Frequency Variation (CF)	SCF = 0, S0 = S1 = 1 IA = IB = IC = 100 mV rms, VA = VB = VC = 100 mV rms @ 50 Hz, Ripple on $V_{DD}$ of 200 mV rms @ 100 Hz		0.01		% reading
DC Power Supply Rejection Output Frequency Variation (CF)	S1 = 1, S0 = SCF = 0 V1 = 100 mV rms, V2 = 100 mV rms, $V_{DD} = 5\text{ V} \pm 250\text{ mV}$		0.1		% reading
<b>ANALOG INPUTS</b>					
Maximum Signal Levels	See the Analog Inputs section $V_{AP} - V_N, V_{BP} - V_N, V_{CP} - V_N, I_{AP} - I_{AN}, I_{BP} - I_{BN}, I_{CP} - I_{CN}$			$\pm 0.5$	V peak difference
Input Impedance (DC)	CLKIN = 10 MHz	500	590		k $\Omega$
Bandwidth (-3 dB)	CLKIN/256, CLKIN = 10 MHz		14		kHz
ADC Offset Error <sup>1,2</sup>				$\pm 25$	mV
Gain Error	External 2.5 V reference, IA = IB = IC = 500 mV dc			$\pm 9$	% ideal
<b>REFERENCE INPUT</b>					
REF <sub>IN/OUT</sub> Input Voltage Range	2.4 V + 8% 2.4 V - 8%	2.2		2.6	V
Input Impedance		3.3			k $\Omega$
Input Capacitance				10	pF
<b>ON-CHIP REFERENCE</b>					
Reference Error	Nominal 2.4 V			$\pm 200$	mV
Temperature Coefficient			25		ppm/ $^{\circ}\text{C}$
CLKIN (INPUT CLOCK FREQUENCY)	All specifications for CLKIN of 10 MHz		10		MHz
<b>LOGIC INPUTS<sup>3</sup></b>					
SCF, S0, S1, and $\overline{ABS}$					
Input High Voltage, $V_{INH}$	$V_{DD} = 5\text{ V} \pm 5\%$	2.4			V
Input Low Voltage, $V_{INL}$	$V_{DD} = 5\text{ V} \pm 5\%$			0.8	V
Input Current, $I_{IN}$	Typically 10 nA, $V_{IN} = 0\text{ V}$ to $V_{DD}$			$\pm 3$	$\mu\text{A}$
Input Capacitance, $C_{IN}$				10	pF
<b>LOGIC OUTPUTS<sup>3</sup></b>					
F1 and F2					
Output High Voltage, $V_{OH}$	$I_{SOURCE} = 10\text{ mA}, V_{DD} = 5\text{ V}$	4.5			V
Output Low Voltage, $V_{OL}$	$I_{SINK} = 10\text{ mA}, V_{DD} = 5\text{ V}$			0.5	V
CF and REVP					
Output High Voltage, $V_{OH}$	$V_{DD} = 5\text{ V}, I_{SOURCE} = 5\text{ mA}$	4.5			V
Output Low Voltage, $V_{OL}$	$V_{DD} = 5\text{ V}, I_{SINK} = 5\text{ mA}$			0.5	V
<b>POWER SUPPLY</b>					
$V_{DD}$	For specified performance $5\text{ V} \pm 5\%$	4.75		5.25	V
$I_{DD}$			8.5	10	mA

<sup>1</sup> See the Terminology section for explanation of specifications.

<sup>2</sup> See the plots in the Typical Performance Characteristics section.

<sup>3</sup> Sample tested during initial release and after any redesign or process changes that might affect this parameter.

# ADE7752B

## TIMING CHARACTERISTICS

$V_{DD} = 5\text{ V} \pm 5\%$ ,  $AGND = DGND = 0\text{ V}$ , on-chip reference,  $CLKIN = 10\text{ MHz}$ ,  $T_{MIN}$  to  $T_{MAX} = -40^{\circ}\text{C}$  to  $+85^{\circ}\text{C}$ , unless otherwise noted.

Table 2.

Parameter <sup>1,2</sup>	Conditions	Specification	Unit
$t_1^3$	F1 and F2 pulse width (logic high)	120	ms
$t_2$	Output pulse period (see the Transfer Function section)	See Figure 2	sec
$t_3$	Time between F1 rising edge and F2 rising edge	$\frac{1}{2} t_2$	sec
$t_4^{3,4}$	CF pulse width (logic high)	90	ms
$t_5^5$	CF pulse period (see the Transfer Function section)	See Table 7	sec
$t_6$	Minimum time between F1 and F2 pulse	$4/CLKIN$	sec

<sup>1</sup> Sample tested during initial release and after any redesign or process changes that might affect this parameter.

<sup>2</sup> See Figure 2.

<sup>3</sup> The pulse widths of F1, F2, and CF are not fixed for higher output frequencies (see the Frequency Outputs section).

<sup>4</sup> CF is not synchronous to F1 or F2 frequency outputs.

<sup>5</sup> The CF pulse is always 1  $\mu\text{s}$  in the high frequency mode (see the Frequency Outputs section).

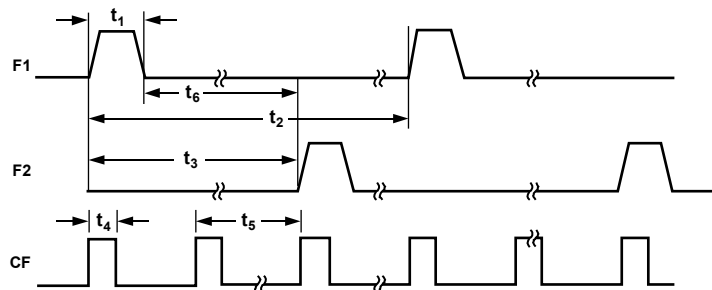


Figure 2. Timing Diagram for Frequency Outputs

098905-002

## ABSOLUTE MAXIMUM RATINGS

$T_A = 25^\circ\text{C}$ , unless otherwise noted.

**Table 3.**

Parameter	Rating
$V_{DD}$ to AGND	-0.3 V to +7 V
$V_{DD}$ to DGND	-0.3 V to +7 V
Analog Input Voltage to AGND VAP, VBP, VCP, VN, IAP, IAN, IBP, IBN, ICP, and ICN	-6 V to +6 V
Reference Input Voltage to AGND	-0.3 V to $V_{DD} + 0.3$ V
Digital Input Voltage to DGND	-0.3 V to $V_{DD} + 0.3$ V
Digital Output Voltage to DGND	-0.3 V to $V_{DD} + 0.3$ V
Operating Temperature Range, Industrial	-40°C to +85°C
Storage Temperature Range	-65°C to +150°C
Junction Temperature	150°C
24-Lead SOIC, Power Dissipation	63 mW
$\theta_{JA}$ Thermal Impedance	55°C/W
Lead Temperature, Soldering	
Vapor Phase (60 sec)	215°C
Infrared (15 sec)	220°C

Stresses above those listed under Absolute Maximum Ratings may cause permanent damage to the device. This is a stress rating only; functional operation of the device at these or any other conditions above those indicated in the operational section of this specification is not implied. Exposure to absolute maximum rating conditions for extended periods may affect device reliability.

### ESD CAUTION



**ESD (electrostatic discharge) sensitive device.** Charged devices and circuit boards can discharge without detection. Although this product features patented or proprietary protection circuitry, damage may occur on devices subjected to high energy ESD. Therefore, proper ESD precautions should be taken to avoid performance degradation or loss of functionality.

## PIN CONFIGURATION AND FUNCTION DESCRIPTIONS

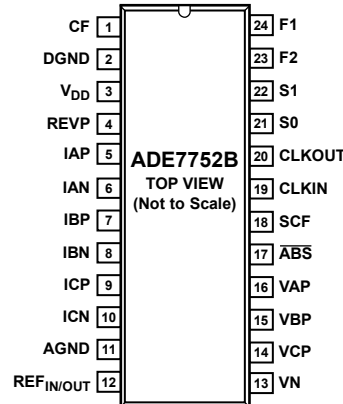


Figure 3. Pin Configuration

Table 4. Pin Function Descriptions

Pin No.	Mnemonic	Description
1	CF	Calibration Frequency Logic Output. The CF logic output gives instantaneous active power information. This output is intended to be used for calibration purposes.
2	DGND	This provides the ground reference for the digital circuitry in the ADE7752B, that is, multipliers, filters, and digital-to-frequency converters. Because the digital return currents in the ADE7752B are small, it is acceptable to connect this pin to the analog ground plane of the whole system.
3	V <sub>DD</sub>	Power Supply. This pin provides the supply voltage for the digital circuitry in the ADE7752B. The supply voltage should be maintained at 5 V ± 5% for specified operation. This pin should be decoupled to DGND with a 10 μF capacitor in parallel with a 100 nF ceramic capacitor.
4	REVP	This logic output goes logic high when negative power is detected on the sum of the three phase powers. This output is not latched and resets when positive power is once again detected (see the Negative Total Power Detection section).
5, 6; 7, 8; 9, 10	IAP, IAN; IBP, IBN; ICP, ICN	Analog Inputs for Current Channels. These channels are intended for use with current transducers and are referenced in this document as current channels. These inputs are fully differential voltage inputs with maximum differential input signal levels of ±0.5 V (see the Analog Inputs section). Both inputs have internal ESD protection circuitry; in addition, an overvoltage of ±6 V can be sustained on these inputs without risk of permanent damage.
11	AGND	This pin provides the ground reference for the analog circuitry in the ADE7752B (ADCs and reference). This pin should be tied to the analog ground plane or the quietest ground reference in the system. This quiet ground reference should be used for all analog circuitry, such as antialiasing filters and current and voltage transducers. To keep ground noise around the ADE7752B to a minimum, the quiet ground plane should connect to the digital ground plane at only one point. It is acceptable to place the entire device on the analog ground plane.
12	REF <sub>IN/OUT</sub>	This pin provides access to the on-chip voltage reference. The on-chip reference has a nominal value of 2.4 V ± 8% and a typical temperature coefficient of 25 ppm/°C. An external reference source can also be connected at this pin. In either case, this pin should be decoupled to AGND with a 1 μF ceramic capacitor.
13, 14, 15, 16	VN, VCP, VBP, VAP	Analog Inputs for the Voltage Channels. These channels are intended for use with voltage transducers and are referenced in this document as voltage channels. These inputs are single-ended voltage inputs with a maximum signal level of ±0.5 V with respect to VN for specified operation. All inputs have internal ESD protection circuitry; in addition, an overvoltage of ±6 V can be sustained on these inputs without risk of permanent damage.
17	$\overline{\text{ABS}}$	This logic input is used to select the method by which the three active energies from each phase are summed. It selects between the arithmetical sum of the three energies (ABS logic high) or the sum of the absolute values (ABS logic low). See the Mode Selection of the Sum of the Three Active Energies section.
18	SCF	Select Calibration Frequency. This logic input is used to select the frequency on the calibration output CF. Table 7 shows how the calibration frequencies are selected.
19	CLKIN	Master Clock for the ADCs and Digital Signal Processing. An external clock can be provided at this logic input. Alternatively, a parallel resonant AT crystal can be connected across CLKIN and CLKOUT to provide a clock source for the ADE7752B. The clock frequency for the specified operation is 10 MHz. Ceramic load capacitors between 22 pF and 33 pF should be used with the gate oscillator circuit. Refer to the crystal manufacturer's data sheet for the load capacitance requirements.

<b>Pin No.</b>	<b>Mnemonic</b>	<b>Description</b>
20	CLKOUT	A crystal can be connected across this pin and CLKIN as described for Pin 19 to provide a clock source for the ADE7752B. The CLKOUT pin can drive one CMOS load when an external clock is supplied at CLKIN or when a crystal is used.
21, 22	S0, S1	These logic inputs are used to select one of four possible frequencies for the digital-to-frequency conversion for design flexibility.
23, 24	F2, F1	Low Frequency Logic Outputs. F1 and F2 supply average active power information. These logic outputs can be used to drive electromechanical counters and 2-phase stepper motors directly (see the Transfer Function section).

TYPICAL PERFORMANCE CHARACTERISTICS

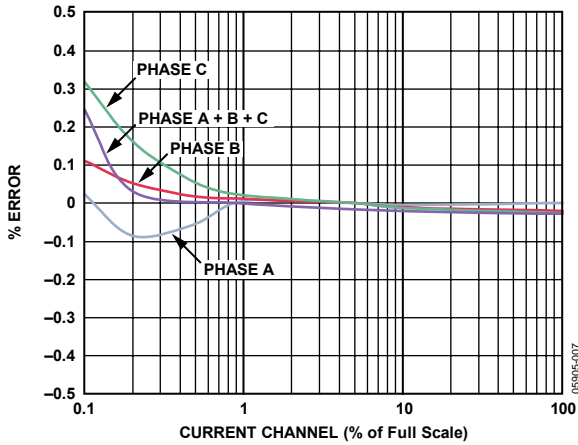


Figure 4. Error As a Percent of Reading with Internal Reference (Wye Connection)

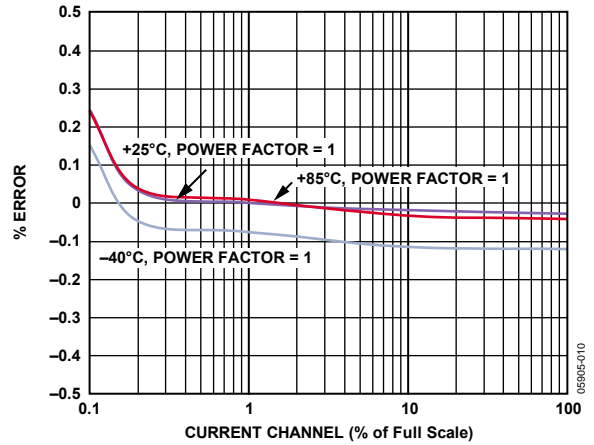


Figure 7. Error As a Percent of Reading over Temperature with External Reference (Wye Connection)

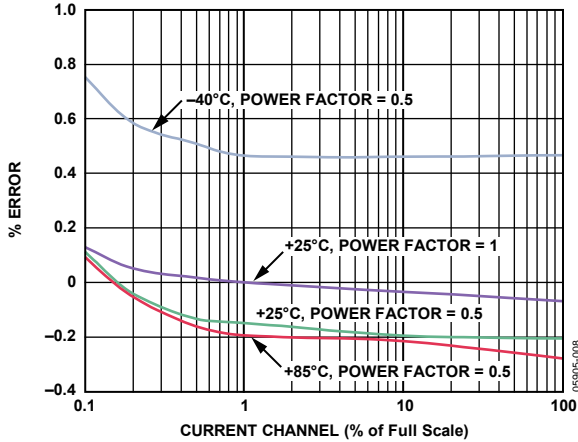


Figure 5. Error As a Percent of Reading over Power Factor with Internal Reference (Wye Connection)

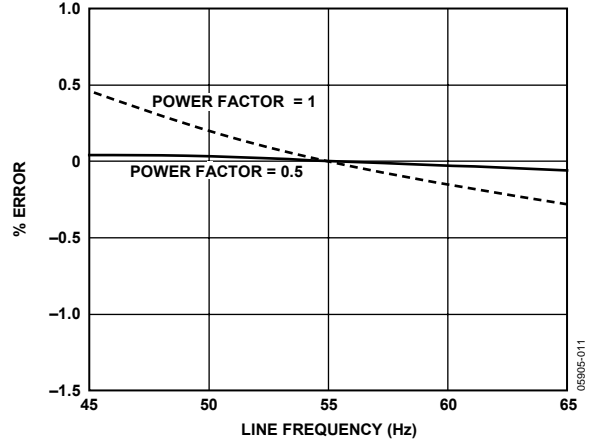


Figure 8. Error As a Percent of Reading over Frequency with an Internal Reference (Wye Connection)

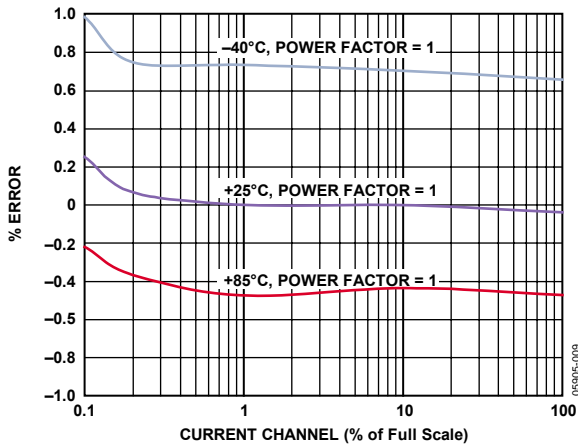


Figure 6. Error As a Percent of Reading over Temperature with Internal Reference (Wye Connection)

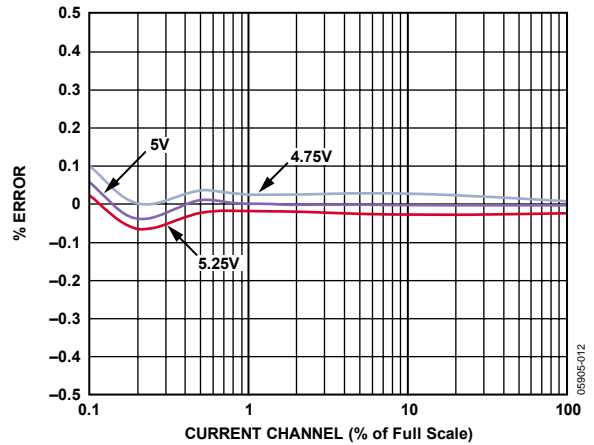


Figure 9. Error As a Percent of Reading over Power Supply with Internal Reference (Wye Connection)



## TERMINOLOGY

### Measurement Error

The error associated with the energy measurement made by the ADE7752B is defined by the following formula:

*Percentage Error* =

$$\left( \frac{\text{Energy Registered by ADE7762} - \text{True Energy}}{\text{True Energy}} \right) \times 100\% \quad (1)$$

### Error Between Channels

The high-pass filter (HPF) in the current channel has a phase lead response. To offset this phase response and equalize the phase response between channels, a phase correction network is placed in the current channel. The phase correction network ensures a phase match between the current channels and the voltage channels to within  $\pm 0.1^\circ$  over a range of 45 Hz to 65 Hz and  $\pm 0.2^\circ$  over a range of 40 Hz to 1 kHz (see Figure 21 and Figure 22).

### Power Supply Rejection (PSR)

This quantifies the ADE7752B measurement error as a percentage of reading when the power supplies are varied.

For the ac PSR measurement, a reading at a nominal supply (5 V) is taken. A 200 mV rms/100 Hz signal is then introduced onto the supply and a second reading is obtained under the same input signal levels. Any error introduced is expressed as a percentage of reading. See the definition for Measurement Error.

For the dc PSR measurement, a reading at nominal supplies (5 V) is taken. The supply is then varied  $\pm 5\%$  and a second reading is obtained with the same input signal levels. Any error introduced is again expressed as a percentage of reading.

### ADC Offset Error

This refers to the dc offset associated with the analog inputs to the ADCs. It means that with the analog inputs connected to AGND, the ADCs still see an analog input signal offset. However, because the HPF is always present, the offset is removed from the current channel and the power calculation is not affected by this offset.

### Gain Error

The gain error of the ADE7752B is defined as the difference between the measured output frequency (minus the offset) and the ideal output frequency. The difference is expressed as a percentage of the ideal frequency. The ideal frequency is obtained from the ADE7752B transfer function (see the Transfer Function section).

# ADE7752B

## TEST CIRCUIT

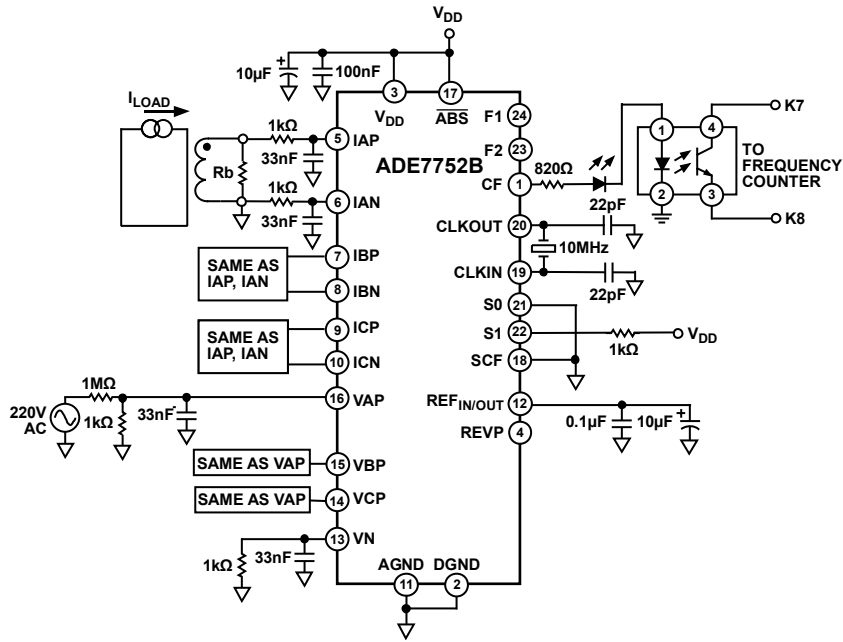


Figure 10. Test Circuit for Performance Curves

05905E-015

## THEORY OF OPERATION

The six signals from the current and voltage transducers are digitized with ADCs. These ADCs are 16-bit, second-order  $\Sigma$ - $\Delta$  with an oversampling rate of 833 kHz. This analog input structure greatly simplifies transducer interface by providing a wide dynamic range and bipolar input for direct connection to the transducer. High-pass filters in the current channels remove the dc component from the current signals. This eliminates any inaccuracies in the active power calculation due to offsets in the voltage or current signals (see the HPF and Offset Effects section).

The active power calculation is derived from the instantaneous power signal. The instantaneous power signal is generated by a direct multiplication of the current and voltage signals of each phase. To extract the active power component, the dc component, the instantaneous power signal is low-pass filtered on each phase. Figure 11 illustrates the instantaneous active power signal and shows how the active power information can be extracted by low-pass filtering the instantaneous power signal. This method is used to extract the active power information on each phase of the polyphase system. The total active power information is then obtained by adding the individual phase active power. This scheme correctly calculates active power for nonsinusoidal current and voltage waveforms at all power factors. All signal processing is carried out in the digital domain for superior stability over temperature and time.

The low frequency output of the ADE7752B is generated by accumulating the total active power information. This low frequency inherently means a long accumulation time between output pulses. The output frequency is therefore proportional to the average active power. This average active power information can, in turn, be accumulated (for example, by a counter) to generate active energy information. Because of its high output frequency and, therefore, shorter integration time, the CF output is proportional to the instantaneous active power. This pulse is useful for system calibration purposes that take place under steady load conditions.

## POWER FACTOR CONSIDERATIONS

Low-pass filtering, the method used to extract the active power information from the individual instantaneous power signal, is still valid when the voltage and current signals of each phase are not in phase. Figure 12 displays the unity power factor condition and a displacement power factor (DPF) = 0.5, that is, current signal lagging the voltage by 60°, for one phase of the polyphase. Assuming that the voltage and current waveforms are sinusoidal, the active power component of the instantaneous power signal (the dc term) is given by

$$\left(\frac{V \times I}{2}\right) \times \cos(60^\circ) \tag{2}$$

This is the correct active power calculation.

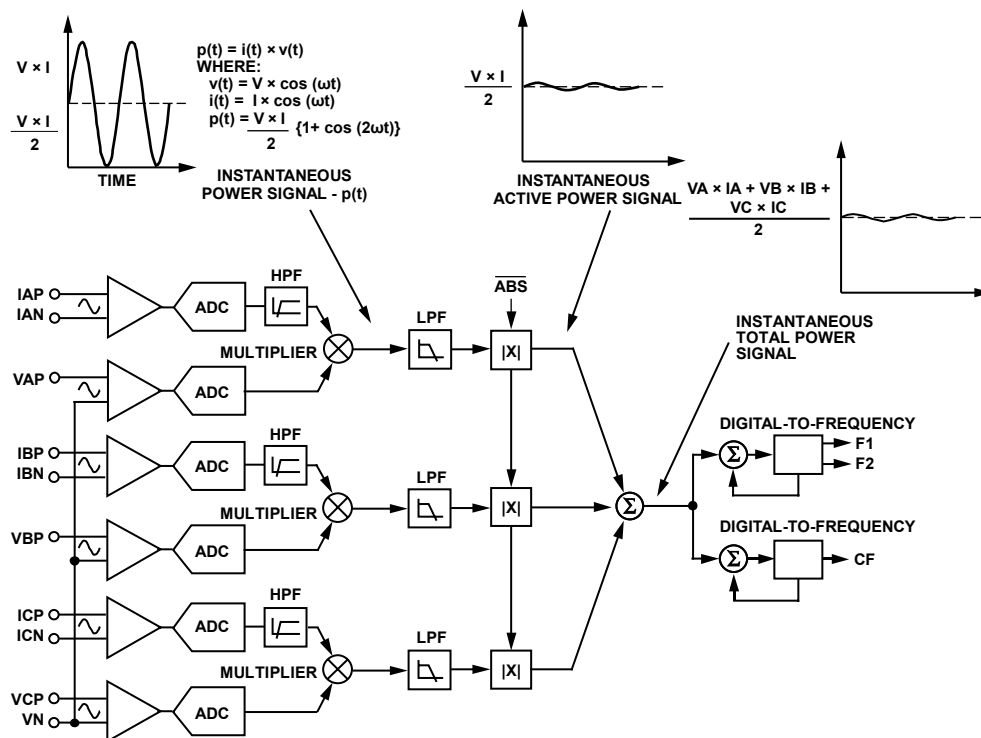


Figure 11. Signal Processing Block Diagram

05905-016

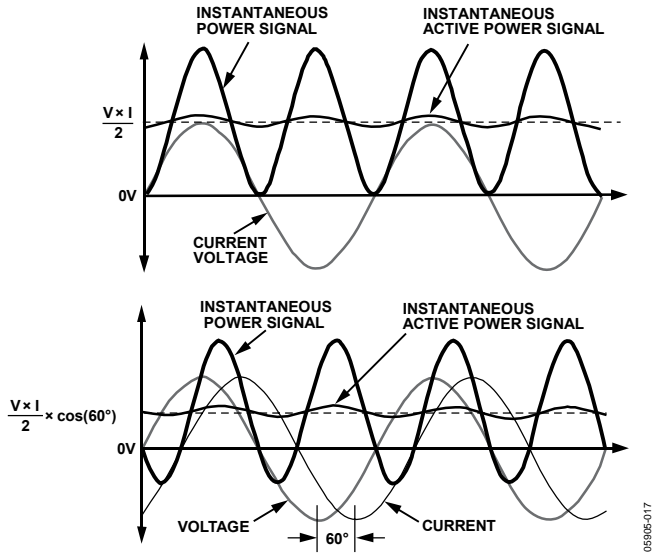


Figure 12. DC Component of Instantaneous Power Signal

**NONSINUSOIDAL VOLTAGE AND CURRENT**

The active power calculation method also holds true for non-sinusoidal current and voltage waveforms. All voltage and current waveforms in practical applications have some harmonic content. Using the Fourier transform, instantaneous voltage and current waveforms can be expressed in terms of their harmonic content

$$v(t) = V_O + \sqrt{2} \times \sum_{n=0}^{\infty} V_n \times \sin(n\omega t + \alpha_n) \tag{3}$$

where:

$v(t)$  is the instantaneous voltage.

$V_O$  is the average value.

$V_n$  is the rms value of voltage harmonic  $n$ .

$\alpha_n$  is the phase angle of the voltage harmonic.

$$i(t) = I_O + \sqrt{2} \times \sum_{n=1}^{\infty} I_n \times \sin(n\omega t + \beta_n) \tag{4}$$

where:

$i(t)$  is the instantaneous current.

$I_O$  is the dc component.

$I_n$  is the rms value of current harmonic  $n$ .

$\beta_n$  is the phase angle of the current harmonic.

Using Equation 3 and Equation 4, the active power,  $P$ , can be expressed in terms of its fundamental active power ( $P_1$ ) and harmonic active power ( $P_H$ ).

$$P = P_1 + P_H$$

where:

$$P_1 = V_1 \times I_1 \cos \varphi_1 \tag{5}$$

$$\varphi_1 = \alpha_1 - \beta_1$$

$$P_H = \sum_{n=1}^{\infty} V_n \times I_n \cos \varphi_n \tag{6}$$

$$\varphi_n = \alpha_n - \beta_n$$

As can be seen from Equation 6, a harmonic active power component is generated for every harmonic, provided that harmonic is present in both the voltage and current waveforms. The power factor calculation has been shown to be accurate in the case of a pure sinusoid. Therefore, the harmonic active power also correctly accounts for power factor because harmonics are made up of a series of pure sinusoids. A limiting factor on harmonic measurement is the bandwidth. On the ADE7752B, the bandwidth of the active power measurement is 14 kHz with a master clock frequency of 10 MHz.

## ANALOG INPUTS

### CURRENT CHANNELS

The voltage outputs from the current transducers are connected to the ADE7752B current channels, which are fully differential voltage inputs. IAP, IBP, and ICP are the positive inputs for IAN, IBN, and ICN, respectively.

The maximum peak differential signal on the current channel should be less than  $\pm 500$  mV (353 mV rms for a pure sinusoidal signal) for the specified operation.

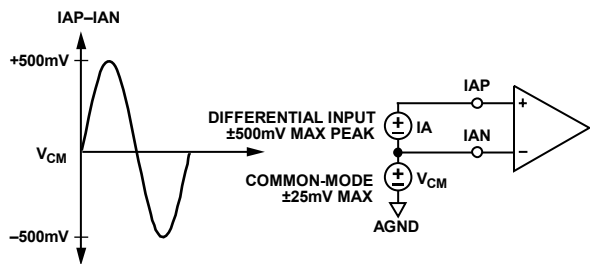


Figure 13. Maximum Signal Levels, Current Channel

The maximum signal levels on IAP and IAN are shown in Figure 13. The maximum differential voltage between IAP and IAN is  $\pm 500$  mV. The differential voltage signal on the inputs must be referenced to a common mode, for example, AGND. The maximum common-mode signal shown in Figure 13 is  $\pm 25$  mV.

### VOLTAGE CHANNELS

The output of the line voltage transducer is connected to the voltage inputs of the ADE7752B. Voltage channels are pseudo-differential voltage inputs. VAP, VBP, and VCP are the positive inputs with respect to VN.

The maximum peak differential signal on the voltage channel is  $\pm 500$  mV (353 mV rms for a pure sinusoidal signal) for specified operation.

Figure 14 illustrates the maximum signal levels that can be connected to the ADE7752B voltage channels.

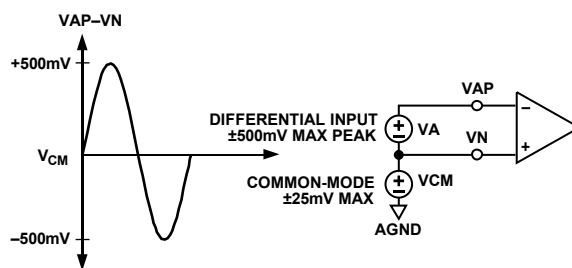


Figure 14. Maximum Signal Levels, Voltage Channel

Voltage channels must be driven from a common-mode voltage, that is, the differential voltage signal on the input must be referenced to a common mode (usually AGND). The analog inputs of the ADE7752B can be driven with common-mode voltages of up to 25 mV with respect to AGND. However, best results are achieved using a common mode equal to AGND.

## TYPICAL CONNECTION DIAGRAMS

### CURRENT CHANNEL CONNECTION

Figure 15 shows a typical connection diagram for the current channel (IA). A current transformer (CT) is the current transducer selected for this example. Notice that the common-mode voltage for the current channel is AGND and is derived by center-tapping the burden resistor to AGND. This provides the complementary analog input signals for IAP and IAN. The CT turns ratio and burden resistor Rb are selected to give a peak differential voltage of ±500 mV at maximum load.

In theory, it is better to center tap Rb; however, this requires very careful attention to the layout and matching of the resistors to ensure that the channels have the same resistance. A single resistor may be more practical and is a valid design choice.

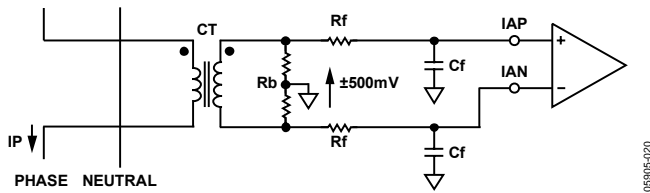


Figure 15. Typical Connection for Current Channels

### VOLTAGE CHANNEL CONNECTION

Figure 16 shows two typical connections for the voltage channel. The first option uses a potential transformer (PT) to provide complete isolation from the main voltage. In the second option, the ADE7752B is biased around the neutral wire, and a resistor divider is used to provide a voltage signal proportional to the line voltage. Adjusting the ratio of Ra, Rb, and VR is a convenient way of carrying out a gain calibration on the meter. VR can be implemented using either a potentiometer or a binary weighted series of resistors. Either configuration works, however, the potentiometer is subject to noise over time. Two fixed value resistors can be used in place of VR to minimize the noise.

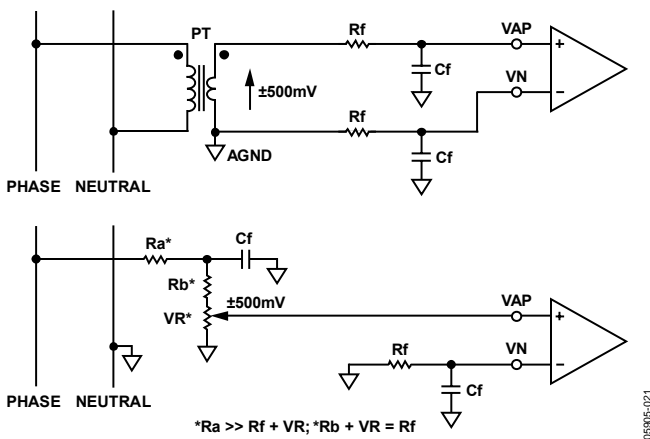


Figure 16. Typical Connections for Voltage Channels

### METER CONNECTIONS

In 3-phase service, two main power distribution services exist: 3-phase, 4-wire or 3-phase, 3-wire. The additional wire in the 3-phase, 4-wire arrangement is the neutral wire. The voltage lines have a phase difference of ±120° (±2π/3 radians) between each other (see Equation 7).

$$V_A(t) = \sqrt{2} \times V_A \times \cos(\omega t)$$

$$V_B(t) = \sqrt{2} \times V_B \times \cos\left(\omega t + \frac{2\pi}{3}\right)$$

$$V_C(t) = \sqrt{2} \times V_C \times \cos\left(\omega t + \frac{4\pi}{3}\right)$$

where  $V_A$ ,  $V_B$ , and  $V_C$  represent the voltage rms values of the different phases.

The current inputs are represented by

$$I_A(t) = \sqrt{2} I_A \times \cos(\omega t + \phi_A)$$

$$I_B(t) = \sqrt{2} I_B \times \cos\left(\omega t + \frac{2\pi}{3} + \phi_B\right)$$

$$I_C(t) = \sqrt{2} I_C \times \cos\left(\omega t + \frac{4\pi}{3} + \phi_C\right)$$

where:

$I_A$ ,  $I_B$ , and  $I_C$  represent the rms value of the current of each phase.  $\phi_A$ ,  $\phi_B$ , and  $\phi_C$  represent the phase difference of the current and voltage channel of each phase.

The instantaneous powers can then be calculated as follows:

$$P_A(t) = V_A(t) \times I_A(t)$$

$$P_B(t) = V_B(t) \times I_B(t)$$

$$P_C(t) = V_C(t) \times I_C(t)$$

Then:

$$P_A(t) = V_A \times I_A \times \cos(\phi_A) - V_A \times I_A \times \cos(2\omega t + \phi_A)$$

$$P_B(t) = V_B \times I_B \times \cos(\phi_B) - V_B \times I_B \times \cos\left(2\omega t + \frac{4\pi}{3} + \phi_B\right)$$

$$P_C(t) = V_C \times I_C \times \cos(\phi_C) - V_C \times I_C \times \cos\left(2\omega t + \frac{8\pi}{3} + \phi_C\right)$$

As shown in Equation 9, the active power calculation per phase is made when current and voltage inputs of one phase are connected to the same channel (A, B, or C). Then the summation of each individual active power calculation gives the total active power information,  $P(t) = P_A(t) + P_B(t) + P_C(t)$ .

Figure 17 shows the connections of the ADE7752B analog inputs with the power lines in a 3-phase, 3-wire delta service.

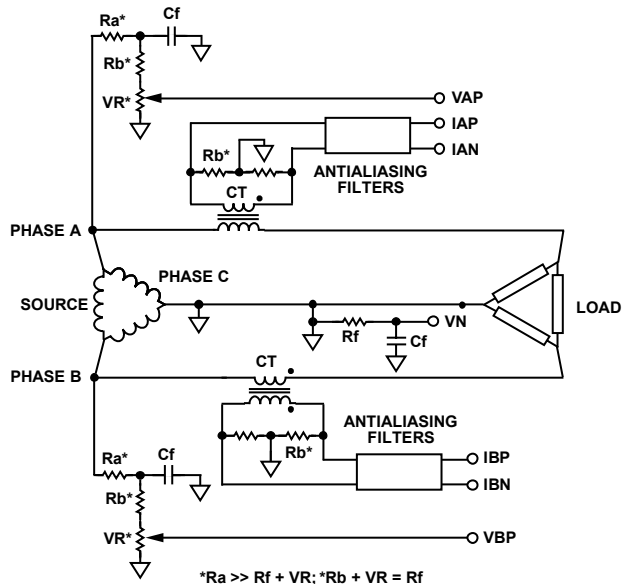


Figure 17. 3-Phase, 3-Wire Meter Connection with ADE7752B

Note that only two current inputs and two voltage inputs of the ADE7752B are used in this case. The active power calculated by the ADE7752B does not depend on the selected channels.

Figure 18 shows the connections of the ADE7752B analog inputs with the power lines in a 3-phase, 4-wire Wye service.

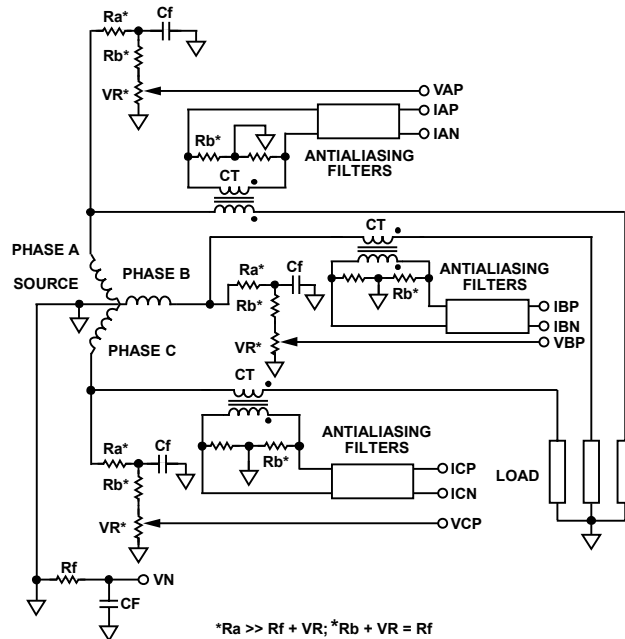


Figure 18. 3-Phase, 4-Wire Meter Connection with ADE7752B

## POWER SUPPLY MONITOR

The ADE7752B contains an on-chip power supply monitor. The power supply ( $V_{DD}$ ) is monitored continuously. At power-up, when the supply is less than  $4\text{ V} \pm 2\%$  and  $V_{REF}$  is less than  $1.9\text{ V}$  (typical), the outputs of the ADE7752B are inactive and the data path is held in reset. Once  $V_{DD}$  is greater than  $4\text{ V} \pm 2\%$  and  $V_{REF}$  is greater than  $1.9\text{ V}$  (typical), the chip is active and energy accumulation begins. At power-down, when  $V_{DD}$  falls below  $4\text{ V}$  or  $V_{REF}$  falls below  $1.9\text{ V}$  (typical), the data path is again held in reset. This implementation ensures correct device operation at power-up and at power-down. The power supply monitor has built-in hysteresis and filtering. This gives a high degree of immunity to false triggering due to noisy supplies.

The power supply and decoupling for the part should be such that the ripple at  $V_{DD}$  does not exceed  $\pm 5\%$  as specified for normal operation.

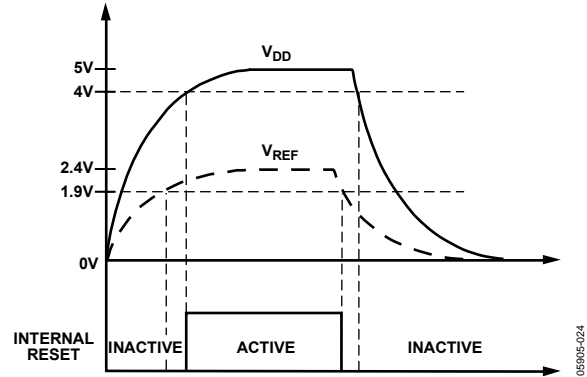


Figure 19. On-Chip Power Supply Monitor

05995-024



## HPF AND OFFSET EFFECTS

Figure 20 shows the effect of offsets on the active power calculation. An offset on the current channel and the voltage channel contributes a dc component after multiplication, as shown in Figure 20. Because this dc component is extracted by the LPF and is used to generate the active power information for each phase, the offsets can contribute a constant error to the total active power calculation. The HPF in the current channels avoids this problem easily. By removing the offset from at least one channel, no error component can be generated at dc by the multiplication. Error terms at  $\cos(\omega t)$  are removed by the LPF and the digital-to-frequency conversion (see the Digital-to-Frequency Conversion section).

$$\{V \cos(\omega t) + V_{OS}\} \times \{I \cos(\omega t) + I_{OS}\} = \frac{V \times I}{2} + V_{OS} \times I_{OS} + V_{OS} \times I \cos(\omega t) + I_{OS} \times V \cos(\omega t) + \frac{V \times I}{2} \times \cos(2\omega t)$$

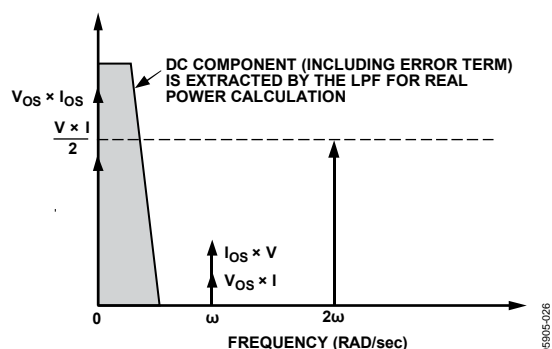


Figure 20. Effect of Channel Offset on the Active Power Calculation

The HPF in the current channels has an associated phase response that is compensated for on-chip. Figure 21 and Figure 22 show the phase error between channels with the compensation network.

The ADE7752B is phase compensated up to 1 kHz as shown. This ensures correct active harmonic power calculation even at low power factors.

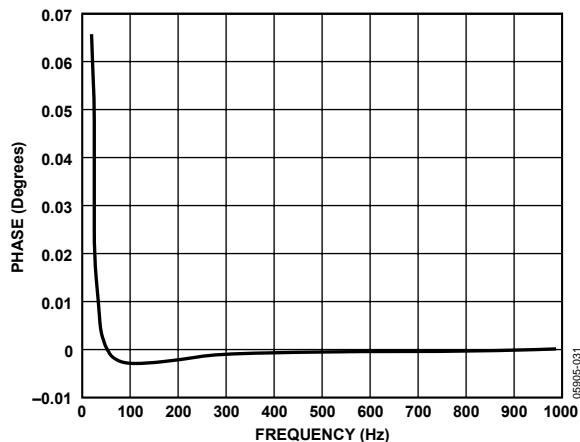


Figure 21. Phase Error Between Channels (0 Hz to 1 kHz)

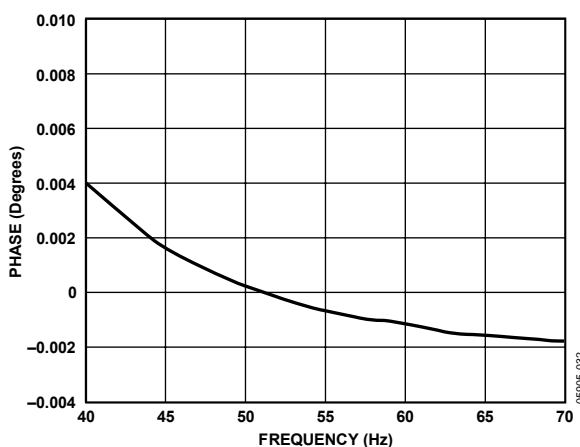


Figure 22. Phase Error Between Channels (40 Hz to 70 Hz)

## DIGITAL-TO-FREQUENCY CONVERSION

After multiplication, the digital output of the low-pass filter contains the active power information of each phase. However, because this LPF is not an ideal brick wall filter implementation, the output signal also contains attenuated components at the line frequency and its harmonics, that is,  $\cos(h\omega t)$ , where  $h = 1, 2, 3 \dots$

The magnitude response of the filter is given by

$$|H(f)| = \frac{1}{\sqrt{1 + \left\{\frac{f}{8}\right\}^2}} \quad (11)$$

where the -3 dB cutoff frequency of the low-pass filter is 8 Hz.

For a line frequency of 50 Hz, this gives an attenuation of the  $2\omega$  (100 Hz) component of approximately -22 dB. The dominating harmonic is twice the line frequency, that is,  $\cos(2\omega t)$ , due to the instantaneous power signal. Figure 23 shows the instantaneous active power signal at the output of the CF, which still contains a significant amount of instantaneous power information,  $\cos(2\omega t)$ .

This signal is then passed to the digital-to-frequency converter where it is integrated (accumulated) over time to produce an output frequency. This accumulation of the signal suppresses or averages out any nondc component in the instantaneous active power signal.

The average value of a sinusoidal signal is zero. Thus, the frequency generated by the ADE7752B is proportional to the average active power. Figure 23 shows the digital-to-frequency conversion for steady load conditions, that is, constant voltage and current.

The frequency output CF varies over time, even under steady load conditions (see Figure 23). This frequency variation is primarily due to the  $\cos(2\omega t)$  components in the instantaneous active power signal. The output frequency on CF can be up to  $160\times$  higher than the frequency on F1 and F2. The higher output frequency is generated by accumulating the instantaneous active power signal over a much shorter time, while converting it to a frequency. This shorter accumulation period means less averaging of the  $\cos(2\omega t)$  component. Therefore, some of this instantaneous power signal passes through the digital-to-frequency conversion.

Where CF is used for calibration purposes, the frequency counter should average the frequency to remove the ripple and obtain a stable frequency. If CF is being used to measure energy, for example, in a microprocessor-based application, the CF output should also be averaged to calculate power. Because the outputs F1 and F2 operate at a much lower frequency, significant averaging of the instantaneous active power signal is carried out. The result is a greatly attenuated sinusoidal content and a virtually ripple-free frequency output on F1 and F2, which are used to measure energy in a stepper motor-based meter.

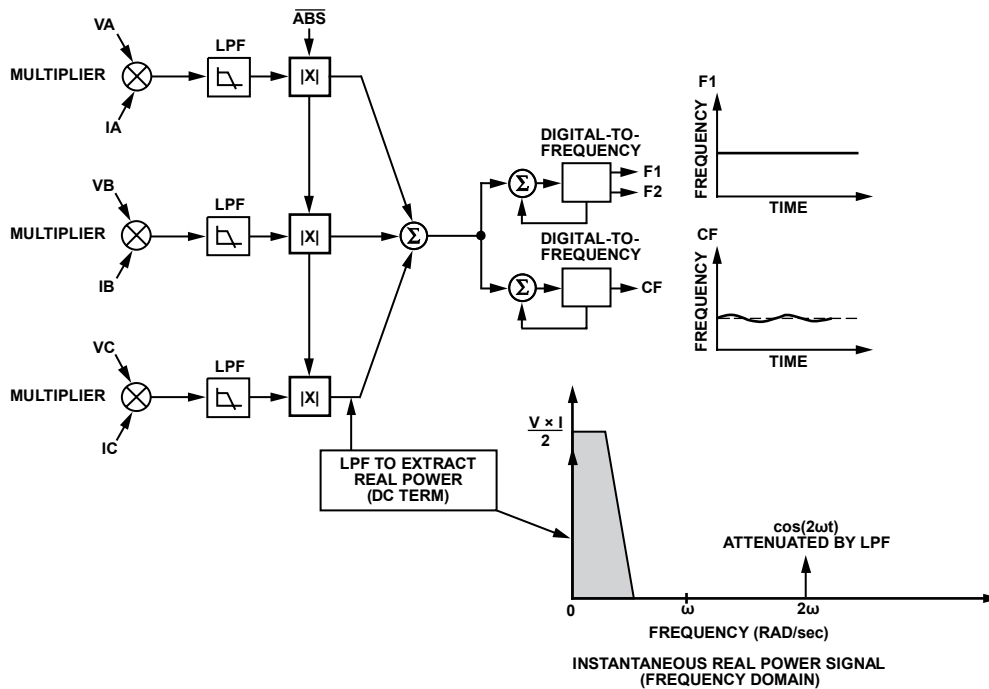


Figure 23. Active Power-to-Frequency Conversion

## ACCUMULATION OF 3-PHASE POWER

### **Power Measurement Considerations**

Calculating and displaying power information always have some associated ripple that depends on the integration period used in the MCU to determine average power as well as the load. For example, at light loads, the output frequency can be 10 Hz. With an integration period of 2 seconds, only about 20 pulses are counted. The possibility of missing one pulse always exists because the ADE7752B output frequency is running asynchronously to the MCU timer. This results in a 1-in-20 or 5% error in the power measurement. To remedy this, an appropriate integration time should be considered to achieve the desired accuracy.

### **Mode Selection of the Sum of the Three Active Energies**

The ADE7752B can be configured to execute the arithmetic sum of the three active energies,  $Wh = Wh_{\phi A} + Wh_{\phi B} + Wh_{\phi C}$ , or the sum of the absolute value of these energies,  $Wh = |Wh_{\phi A}| + |Wh_{\phi B}| + |Wh_{\phi C}|$ . The selection between the two modes can be made by setting the  $\overline{ABS}$  pin. Logic high and logic low applied on the  $\overline{ABS}$  pin correspond to the arithmetic sum and the sum of absolute values, respectively.

When the sum of the absolute values is selected, the active energy from each phase is always counted positive in the total active energy. It is particularly useful in 3-phase, 4-wire installa-

tion where the sign of the active power should always be the same. If the meter is misconnected to the power lines, that is, if CT is connected in the wrong direction, the total active energy recorded without this solution can be reduced by two-thirds.

The sum of the absolute values assures that the active energy recorded represents the actual active energy delivered. In this mode, the reverse power pin still detects when the arithmetic sum of the active powers is negative, but energy continues to accumulate regardless of the sign.

### **Negative Total Power Detection**

The ADE7752B detects when total power, calculated as the arithmetic sum of the three phases, is negative. This detection is independent of the mode of sum of the three powers (arithmetic or absolute). This mechanism can detect an incorrect connection of the meter or generation of negative active energy. When the sum of the powers of the three phases is negative, the REVP pin output goes active high. When the sum of the powers of the three phases is positive, the REVP pin output is reset to low.

The REVP pin output changes state at the same time as a pulse is issued on CF. If the sum of the powers of the three phases is negative, then the REVP pin output stays high until the sum is positive or all three phases are below the no-load threshold.

## TRANSFER FUNCTION

### FREQUENCY OUTPUTS F1 AND F2

The ADE7752B calculates the product of six voltage signals (on current channel and voltage channel) and then low-pass filters this product to extract active power information. This active power information is then converted to a frequency. The frequency information is output on F1 and F2 in the form of active high pulses. The pulse rate at these outputs is relatively low, for example, 2.09 Hz maximum for ac signals with SCF = S0 = 0; S1 = 1 (see Table 6). This means that the frequency at these outputs is generated from active power information accumulated over a relatively long period. The result is an output frequency that is proportional to the average active power. The averaging of the active power signal is implicit to the digital-to-frequency conversion. The output frequency or pulse rate is related to the input voltage signals by the following equation:

$$Freq = \frac{6.181 \times (V_{AN} \times I_A + V_{BN} \times I_B + V_{CN} \times I_C) \times f_{1to7}}{V_{REF}^2} \quad (12)$$

where:

*Freq* is the output frequency on F1 and F2 (Hz).

$V_{AN}$ ,  $V_{BN}$ , and  $V_{CN}$  are the differential rms voltage signals on voltage channels (V).

$I_A$ ,  $I_B$ , and  $I_C$  are the differential rms voltage signals on current channels (V).

$V_{REF}$  is the reference voltage (2.4 V ± 8%) (V).

$f_{1to7}$  is one of seven possible frequencies selected by using the logic inputs SCF, S0, and S1 (see Table 5).

**Table 5.  $f_{1to7}$  Frequency Selection<sup>1</sup>**

SCF	S1	S0	$f_{1to7}$ (Hz)
0	0	0	2.24
1	0	0	4.49
0	0	1	1.12
1	0	1	4.49
0	1	0	5.09
1	1	0	1.12
0	1	1	0.56
1	1	1	0.56

<sup>1</sup> $f_{1to7}$  is a fraction of the master clock and therefore varies if the specified CLKIN frequency is altered.

### Example 1

In this example, with ac voltages of ±500 mV peak applied to the voltage channels and current channels, the expected output frequency is calculated as follows:

$$\begin{aligned} f_{1to7} &= 0.56 \text{ Hz}, SCF = S0 = S1 = 1 \\ V_{AN} &= V_{BN} = V_{CN} = IA = IB = IC \\ &= 500 \text{ mV peak ac} = \frac{0.5}{\sqrt{2}} \text{ V rms} \\ V_{REF} &= 2.4 \text{ V (nominal reference value)} \end{aligned} \quad (13)$$

Note that if the on-chip reference is used, actual output frequencies can vary from device to device due to reference tolerance of ±8%.

$$Freq = 3 \times \frac{6.313 \times 0.5 \times 0.5 \times 0.58}{\sqrt{2} \times \sqrt{2} \times 2.4^2} = 0.230 \text{ Hz} \quad (14)$$

As can be seen from these two example calculations, the maximum output frequency for ac inputs is always half of that for dc input signals. The maximum frequency also depends on the number of phases connected to the ADE7752B. In a 3-phase, 3-wire delta service, the maximum output frequency is different from the maximum output frequency in a 3-phase, 4-wire Wye service. The reason is that there are only two phases connected to the analog inputs, but also that in a delta service, the current channel input and voltage channel input of the same phase are not in phase in normal operation.

**Example 2**

In this example, the ADE7752B is connected to a 3-phase, 3-wire delta service as shown in Figure 17. The total active energy calculation processed in the ADE7752B can be expressed as

$$Total\ Active\ Power = (V_A - V_C) \times I_A + (V_B - V_C) \times I_B$$

where:

$V_A$ ,  $V_B$ , and  $V_C$  represent the voltage on Phase A, Phase B, and Phase C, respectively.

$I_A$  and  $I_B$  represent the current on Phase A and Phase B, respectively.

With respect to the voltage and current inputs in Equation 7 and Equation 8, the total active power (P) is

$$P = (V_A - V_C) (I_{AP} - I_{AN}) + (V_B - V_C) (I_{BP} - I_{BN})$$

$$P = \left( \sqrt{2} \times V_A \times \cos(\omega_1 t) - \sqrt{2} \times V_C \times \cos\left(\omega_1 t + \frac{4\pi}{3}\right) \right) \times$$

$$\sqrt{2} \times I_A \times \cos(\omega_1 t) +$$

$$\left( \sqrt{2} \times V_B \times \cos\left(\omega_1 t + \frac{2\pi}{3}\right) - \sqrt{2} \times V_C \times \cos\left(\omega_1 t + \frac{4\pi}{3}\right) \right) \times$$

$$\sqrt{2} \times I_B \times \cos\left(\omega_1 t + \frac{2\pi}{3}\right)$$

(15)

For simplification, assume that  $\Phi_A = \Phi_B = \Phi_C = 0$  and  $V_A = V_B = V_C = V$ . The preceding equation becomes

$$P = 2 \times V \times I_A \times \sin\left(\frac{2\pi}{3}\right) \times \sin\left(\omega_1 t + \frac{2\pi}{3}\right) \times \cos(\omega_1 t) +$$

$$2 \times V \times I_B \times \sin\left(\frac{\pi}{3}\right) \times \sin(\omega_1 t + \pi) \times \cos\left(\omega_1 t + \frac{2\pi}{3}\right)$$

(16)

P then becomes

$$P = V_{AN} \times I_A \times \left( \sin\left(\frac{2\pi}{3}\right) + \sin\left(2\omega_1 t + \frac{2\pi}{3}\right) \right) +$$

$$V_{BN} \times I_B \times \left( \sin\left(\frac{\pi}{3}\right) + \sin\left(2\omega_1 t + \frac{\pi}{3}\right) \right)$$

(17)

where:

$$V_{AN} = V \times \sin(2\pi/3)$$

$$V_{BN} = V \times \sin(\pi/3)$$

As the LPF on each channel eliminates the  $2\omega_1$  component of the equation, the active power measured by the ADE7752B is

$$P = V_{AN} \times I_A \times \frac{\sqrt{3}}{2} + V_{BN} \times I_B \times \frac{\sqrt{3}}{2}$$

(18)

If full-scale ac voltage of  $\pm 500$  mV peak is applied to the voltage channels and current channels, the expected output frequency is calculated as follows:

$$f_{1to7} = 0.56\text{ Hz}, SCF = S0 = S1 = 1$$

$$V_{AN} = V_{BN} = I_A = I_B = I_C = 500\text{ mV peak ac} =$$

$$\frac{0.5}{\sqrt{2}}\text{ V rms}$$

(19)

$$V_{CN} = I_C = 0$$

$$V_{REF} = 2.4\text{ V nominal reference value}$$

Note that if the on-chip reference is used, actual output frequencies can vary from device to device due to a reference tolerance of  $\pm 8\%$ .

$$Freq = 2 \times \frac{6.313 \times 0.5 \times 0.5 \times 0.56}{\sqrt{2} \times \sqrt{2} \times 2.4^2} \times \frac{\sqrt{3}}{2} = 0.133\text{ Hz}$$

(20)

Table 6 shows a complete listing of all maximum output frequencies when using all three channel inputs.

**Table 6. Maximum Output Frequency on F1 and F2**

SCF	S1	S0	Maximum Frequency for AC Inputs (Hz)
0	0	0	0.92
1	0	1	1.84
0	0	1	0.46
1	0	1	1.84
0	1	0	2.09
1	1	0	0.46
0	1	1	0.23
1	1	1	0.23

**FREQUENCY OUTPUT CF**

The pulse output calibration frequency (CF) is intended for use during calibration. The output pulse rate on CF can be up to 64x the pulse rate on F1 and F2. Table 7 shows how the two frequencies are related, depending on the states of the logic inputs S0, S1, and SCF. Because of its relatively high pulse rate, the frequency at this logic output is proportional to the instantaneous active power. As is the case with F1 and F2, the frequency is derived from the output of the low-pass filter after multiplication. However, because the output frequency is high, this active power information is accumulated over a much shorter time. Thus, less averaging is carried out in the digital-to-frequency conversion. The CF output is much more responsive to power fluctuations with much less averaging of the active power signal (see Figure 11).

**Table 7. Maximum Output Frequency on CF**

SCF	S1	S0	$f_{1to7}$ (Hz)	CF Maximum for AC Signals (Hz)
0	0	0	2.24	$16 \times F1, F2 = 14.76$
1	0	0	4.49	$8 \times F1, F2 = 14.76$
0	0	1	1.12	$32 \times F1, F2 = 14.76$
1	0	1	4.49	$16 \times F1, F2 = 29.51$
0	1	0	5.09	$160 \times F1, F2 = 334$
1	1	0	1.12	$16 \times F1, F2 = 7.38$
0	1	1	0.56	$32 \times F1, F2 = 7.38$
1	1	1	0.56	$16 \times F1, F2 = 3.69$

## SELECTING A FREQUENCY FOR AN ENERGY METER APPLICATION

As shown in Table 5, the user can select one of seven frequencies. This frequency selection determines the maximum frequency on F1 and F2. These outputs are intended to be used to drive the energy register (electromechanical or other). Because seven different output frequencies can be selected, the available frequency selection has been optimized for a 3-phase, 4-wire service with a meter constant of 100 imp/kWhr and a maximum current of between 10 A and 100 A. Table 8 shows the output frequency for several maximum currents ( $I_{MAX}$ ) with a line voltage of 220 V (phase neutral). In all cases, the meter constant is 100 imp/kWhr.

**Table 8. F1 and F2 Frequency at 100 imp/kWhr**

$I_{MAX}$ (A)	F1 and F2 (Hz)
10	0.18
25	0.46
40	0.73
60	1.10
80	1.47
100	1.83

The  $f_{1\text{ to }7}$  frequencies allow complete coverage of this range of output frequencies on F1 and F2. When designing an energy meter, the nominal design voltage on the voltage channels should be set to half scale to allow for calibration of the meter constant. The current channel should also be no more than half scale when the meter sees maximum load. This allows overcurrent signals and signals with high crest factors to be accommodated. Table 9 shows the output frequency on F1 and F2 when all six analog inputs are half scale.

**Table 9. F1 and F2 Frequency with Half-Scale AC Inputs**

SCF	S1	S0	$f_{1\text{ to }7}$ (Hz)	Frequency on F1 and F2 (Half-Scale AC Inputs) (Hz)
0	0	0	2.24	0.23
1	0	0	4.49	0.46
0	0	1	1.12	0.12
1	0	1	4.49	0.46
0	1	0	5.09	0.52
1	1	0	1.12	0.12
0	1	1	0.56	0.06
1	1	1	0.56	0.06

When selecting a suitable  $f_{1\text{ to }7}$  frequency for a meter design, the frequency output at  $I_{MAX}$  (maximum load) with a 100 imp/kWhr meter constant should be compared with Column 5 of Table 9. The frequency that is closest in Table 9 determines the best choice of frequency ( $f_{1\text{ to }7}$ ). For example, if a 3-phase, 4-wire Wye meter with a 25 A maximum current is being designed, the output frequency on F1 and F2 with a 100 imp/kWhr meter constant is 0.46 Hz at 25 A and 220 V (see Table 8). Looking at Table 9, the closest frequency to 0.46 Hz in Column 5 is 0.46 Hz. Therefore,  $f_{1\text{ to }7} = 4.49$  Hz is selected for this design.

### FREQUENCY OUTPUTS

Figure 2 shows a timing diagram for the various frequency outputs. The outputs F1 and F2 are the low frequency outputs that can be used to directly drive a stepper motor or electro-mechanical impulse counter. The F1 and F2 outputs provide two alternating high going pulses. The pulse width ( $t_1$ ) is set at 120 ms, and the time between the rising edges of F1 and F2 ( $t_3$ ) is approximately half the period of F1 ( $t_2$ ). If, however, the period of F1 and F2 falls below 550 ms (1.81 Hz), the pulse width of F1 and F2 is set to half of their period. The maximum output frequencies for F1 and F2 are shown in Table 6.

The high frequency CF output is intended to be used for communications and calibration purposes. CF produces a 90 ms-wide active high pulse ( $t_4$ ) at a frequency proportional to active power. The CF output frequencies are given in Table 7. As in the case of F1 and F2, if the period of CF ( $t_5$ ) falls below 190 ms, the CF pulse width is set to half the period. For example, if the CF frequency is 20 Hz, the CF pulse width is 25 ms.

**NO-LOAD THRESHOLD**

The ADE7752B includes an innovative no-load threshold detection scheme that detects if a current input, when multiplied with any of the three voltages inputs, cannot create power larger than a no-load threshold. This threshold represents 0.0075% of the full-scale output frequency.

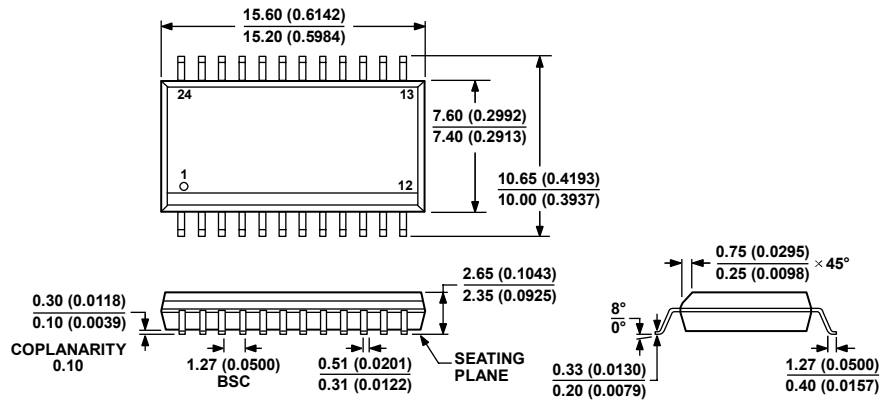
For example, if the A, B and C voltage phases are 50% of full-scale input and 120° apart, and Current Phase A is 10% of full scale with a PF = 0, this detection scheme detects that  $V_A \times I_A$  is below the no-load threshold but that  $V_B \times I_A$  and  $V_C \times I_A$  are not. Therefore, the ADE7752B does not detect a no-load threshold for  $V_A \times I_A$  and lets this phase contribute to the total power. However, in the same voltage conditions, if current Phase A is 0.0075% of full scale with a PF = 1, this detection scheme detects that  $V_A \times I_A$  is below the no-load threshold and because  $V_B \times I_A$  and  $V_C \times I_A$  are as well,  $V_A \times I_A$  is detected as below the no-load threshold and its contribution to the total power is stopped.

The no-load threshold is given as 0.0075% of the full-scale output frequency for each of the  $f_{1\text{ to }7}$  frequencies (see Table 10). For example, for an energy meter with a 100 imp/kWhr meter constant using  $f_{1\text{ to }7}$  (4.49 Hz), the minimum output frequency at F1 or F2 is  $1.38 \times 10^{-4}$  Hz. This is  $2.21 \times 10^{-3}$  Hz at CF ( $16 \times F1$  Hz). In this example, the no-load threshold is equivalent to 4.8 W of load, or a start-up current of 20.7 mA at 240 V.

**Table 10. CF, F1, and F2 Minimum Frequency at No-Load Threshold**

SCF	S1	S0	F1, F2 Minimum (Hz)	CF Minimum (Hz)
0	0	0	6.92E – 05	1.11E – 03
1	0	0	1.38E – 04	1.11E – 03
0	0	1	3.46E – 05	1.11E – 03
1	0	1	1.38E – 04	2.21E – 03
0	1	0	1.57E – 04	2.51E – 02
1	1	0	3.46E – 05	5.53E – 04
0	1	1	1.73E – 05	5.53E – 04
1	1	1	1.753 – 05	2.77E – 04

## OUTLINE DIMENSIONS



COMPLIANT TO JEDEC STANDARDS MS-013-AD  
 CONTROLLING DIMENSIONS ARE IN MILLIMETERS; INCH DIMENSIONS  
 (IN PARENTHESES) ARE ROUNDED-OFF MILLIMETER EQUIVALENTS FOR  
 REFERENCE ONLY AND ARE NOT APPROPRIATE FOR USE IN DESIGN.

Figure 24. 24-Lead Standard Small Outline Package [SOIC\_W]  
 Wide Body  
 (RW-24)

Dimensions shown in millimeters and (inches)

060706-A

## ORDERING GUIDE

Model	Temperature Range	Package Description	Package Option
ADE7752BARWZ <sup>1</sup>	-40°C to +85°C	24-Lead Standard Small Outline Package [SOIC_W]	RW-24
ADE7752BARWZ-RL <sup>1</sup>	-40°C to +85°C	24-Lead [SOIC_W], on 13" Reel	RW-24

<sup>1</sup> Z = RoHS Compliant Part.