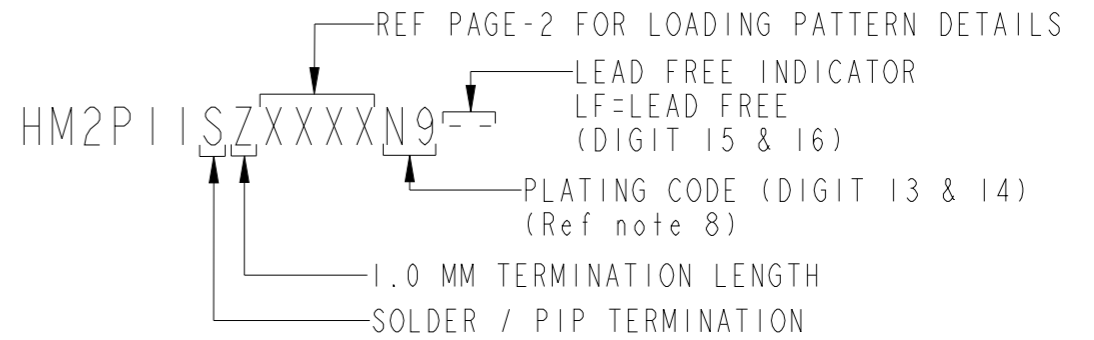
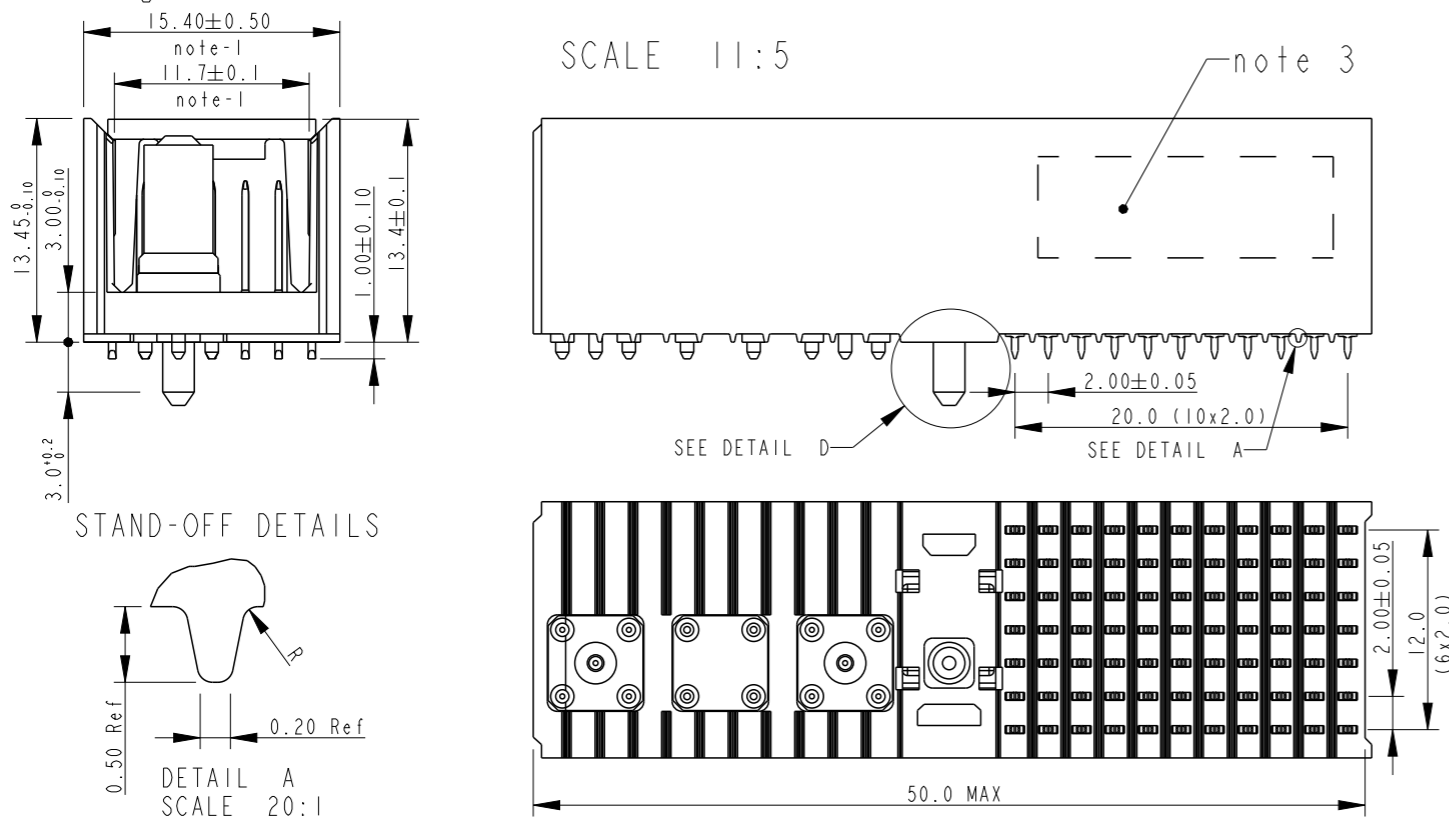
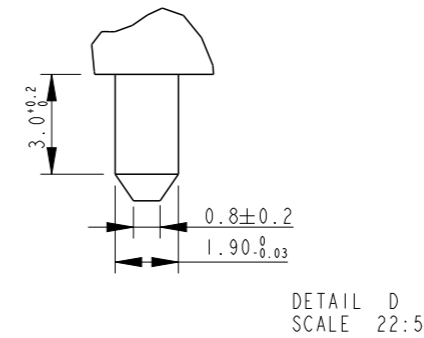


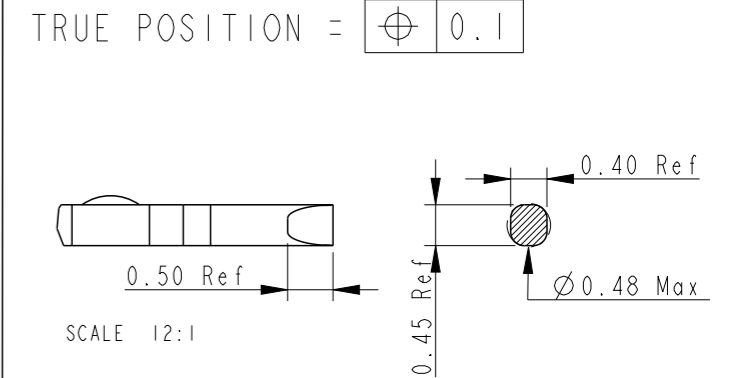
LOADED CONNECTOR ASSEMBLY
(For Eg. HM2PIISZ5001----



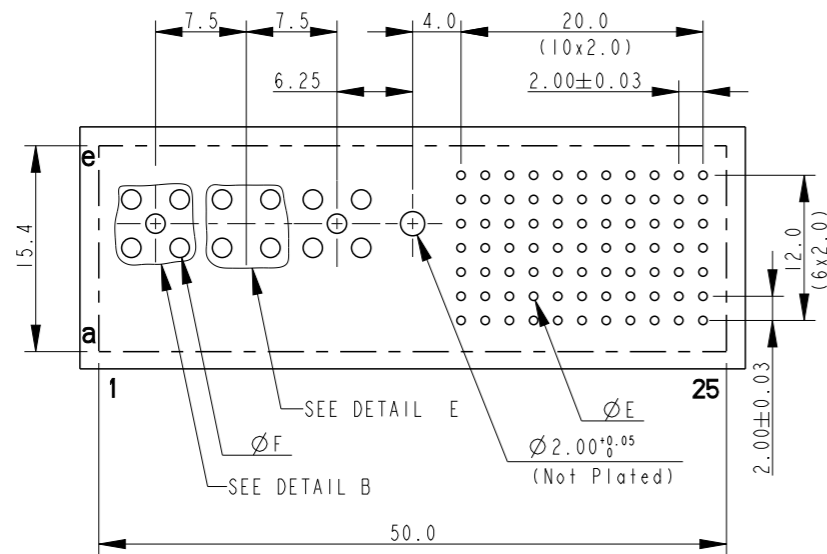
GUIDING PEG DETAILS



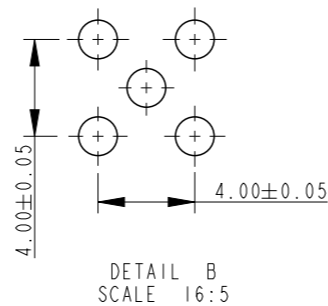
SOLDER TAIL DETAILS



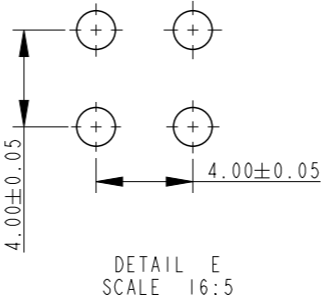
PCB LAYOUT & HOLE DIMENSIONS
(For Eg. HM2PIISZ5001----



FOOTPRINT FOR COAX CONTACT (P1)



FOOTPRINT FOR POWER CONTACT (P2)



NOTES :

- MEASURED AT THE BOTTOM
- MATERIAL CONTACT : PHOSPHOR BRONZE
HOUSING : HIGH TEMPERATURE POLYMER - BLACK
- CONNECTOR PRINTED WITH P/N AND DATE CODE
- FOR ACTUAL CONTACT LOADING, SEE LOADING PATTERN MATING SIDE
- THE SOLDER CONTENT IN THE PASTE SHOULD BE SUFFICIENT TYPICALLY 50% VOLUME PERCENTAGE. THE SCREEN PRINTING PROCESS (ANGLE, SPEED, PRESSURE ETC) MUST BE OPTIMISED SO THAT ENOUGH SOLDER IS AVAILABLE. (PASTE THICKNESS = 0.15MM)
- THE PRODUCT (LF) MEETS EUROPEAN UNION DIRECTIVES AND OTHER COUNTRY REGULATIONS AS DESCRIBED IN GS-22-008
- THIS PRODUCT WITHSTANDS 260°C FOR 10 SECS FOR PIN IN PASTE APPLICATION
- PLATING DETAILS:
TERMINATION SIDE : Sn (MATT FINISH)
CONTACT SIDE : N9 (IEC PERFORMANCE LEVEL 2)
- MISSING INFORMATION & DIMENSIONS PER IEC 61076-4-101
- POWER CONTACT INTERFACE ACCORDING TO DIN 41612 & COAX CONTACT INTERFACE ACCORDING TO DIN 41626 SPEC

Dim	Finished Hole Dia	Cu Thickness	Sn Thickness	Drilled Hole Dia
E	0.65 - 0.80	0.025 - 0.050	0.008 - 0.012	0.72 - 0.92

Power / Coax Contact (F)

Finished Hole : 1.00 +0.15/-0
 Drilled Hole : 1.15 mm
 Plating : 25 - 50 µm Cu Plating
 : 4 - 6 µm Ni + > 0.05µm Au

True Position (All Holes) = 0.05

www.fciconnect.com		surface - ✓ ISO 1302	tolerance std ISO 406 ISO 1101	projection mm
TOLERANCES UNLESS OTHERWISE SPECIFIED				
ANGULAR	LINEAR	0.X	±0.2	size A3
0° ±1°		0.XX	±0.1	Scale 1:1
		0.XXX	±0.05	ECN 107-0103

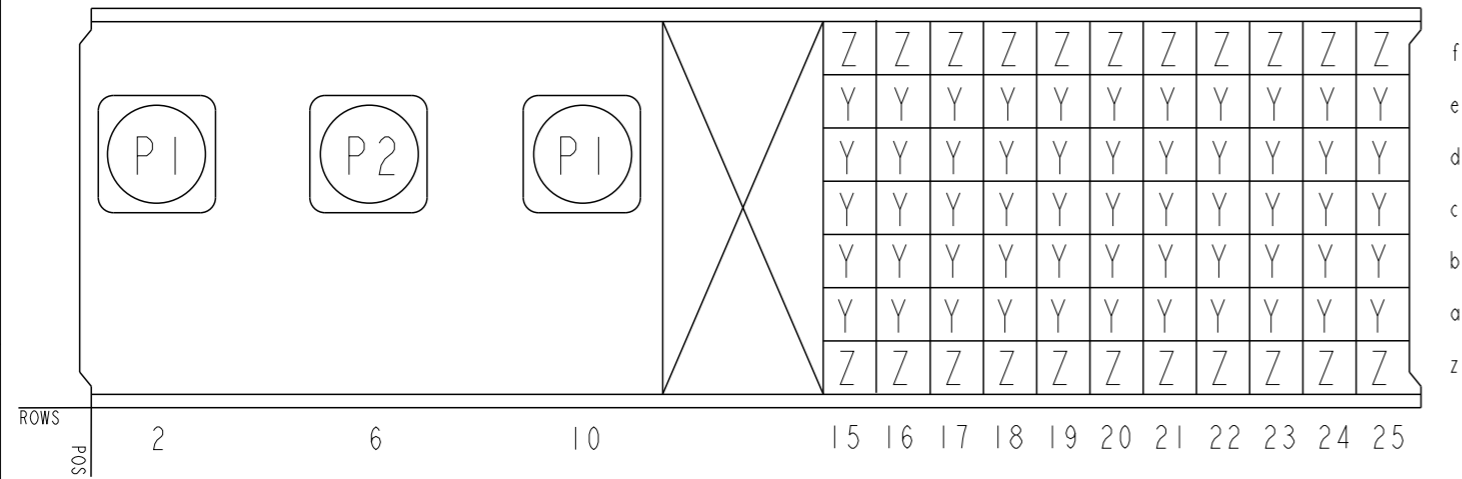
rev	ecn no	dr	date
A	107-0103	AB	2009-01-06
B	109-0014	AB	2010-02-09
C	110-0181	AB	2010-12-04

Dr	Alex Babu	2007-08-24	ANGULAR	LINEAR	0.X	±0.2	size A3	ECN 107-0103
Eng	Alex Babu	2007-08-24						
Chr	Biju K Paul	2007-08-24	0° ±1°		0.XXX	±0.05		
Appr	Biju K Paul	2007-08-24	Product family		MILLIPACS	Spec ref -		

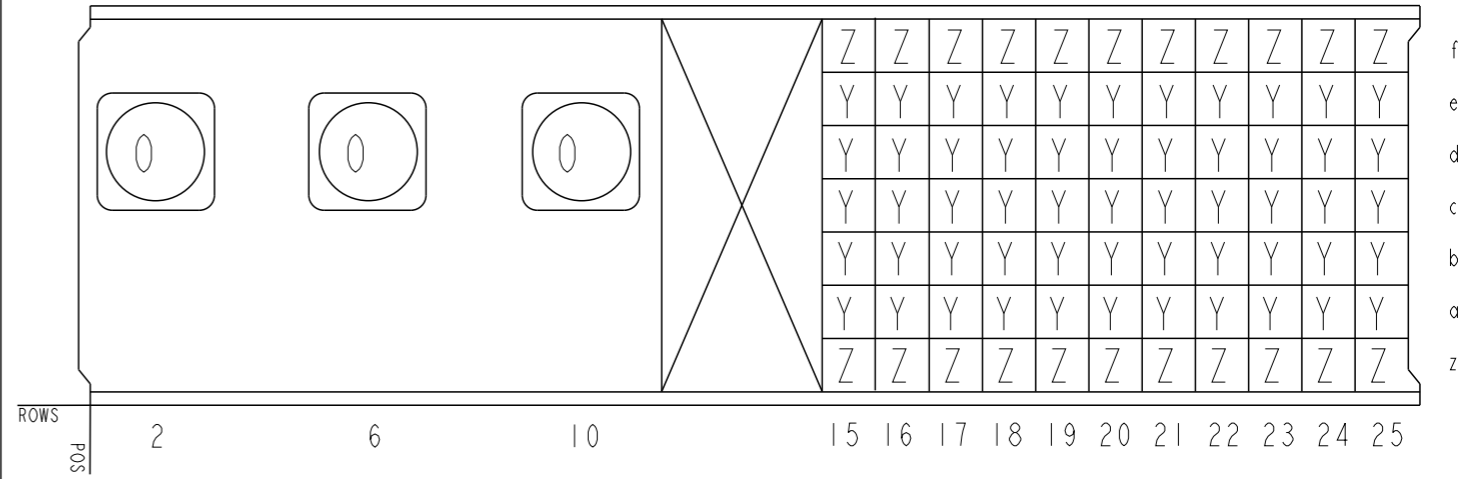
FCI	title	MILLIPACS TYPE-M STR HDR (PIP VERSION)	dwg no	BSC203204004	Rev.	C
	catalog no	HM2PIISZ-----		CUSTOMER DRAWING		sheet 1 of 4

LOADING PATTERN MATING SIDE

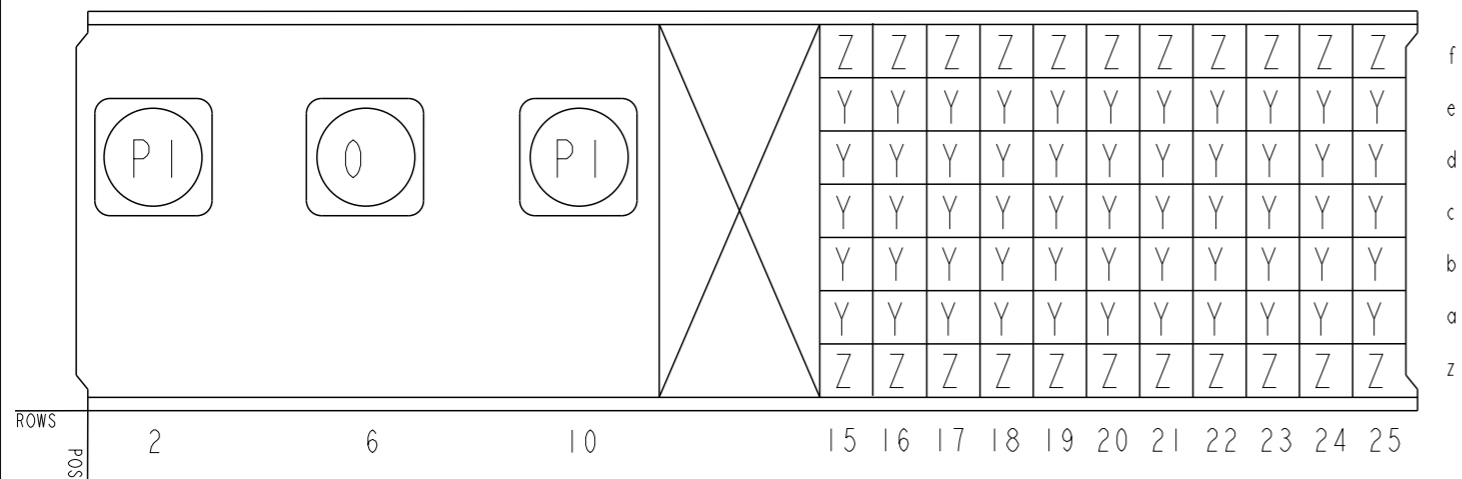
Cat No : HM2PIISZ5001-----



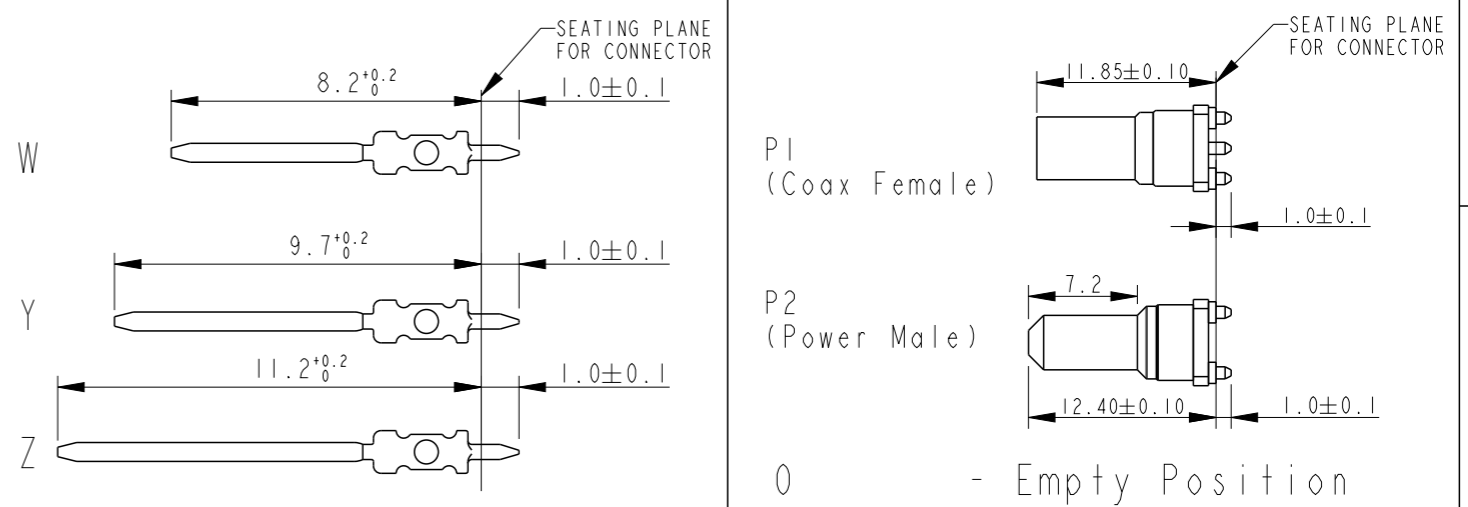
Cat No : HM2PIISZ5031-----



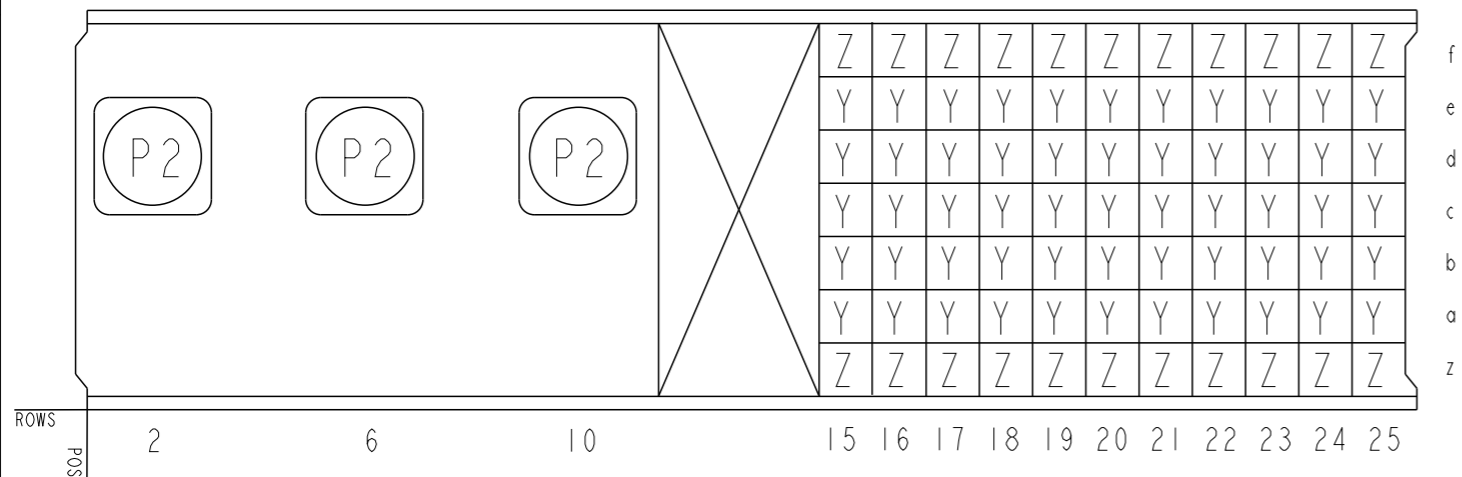
Cat No : HM2PIISZ5011-----



CONTACT OVERVIEW



Cat No : HM2PIISZ5021-----

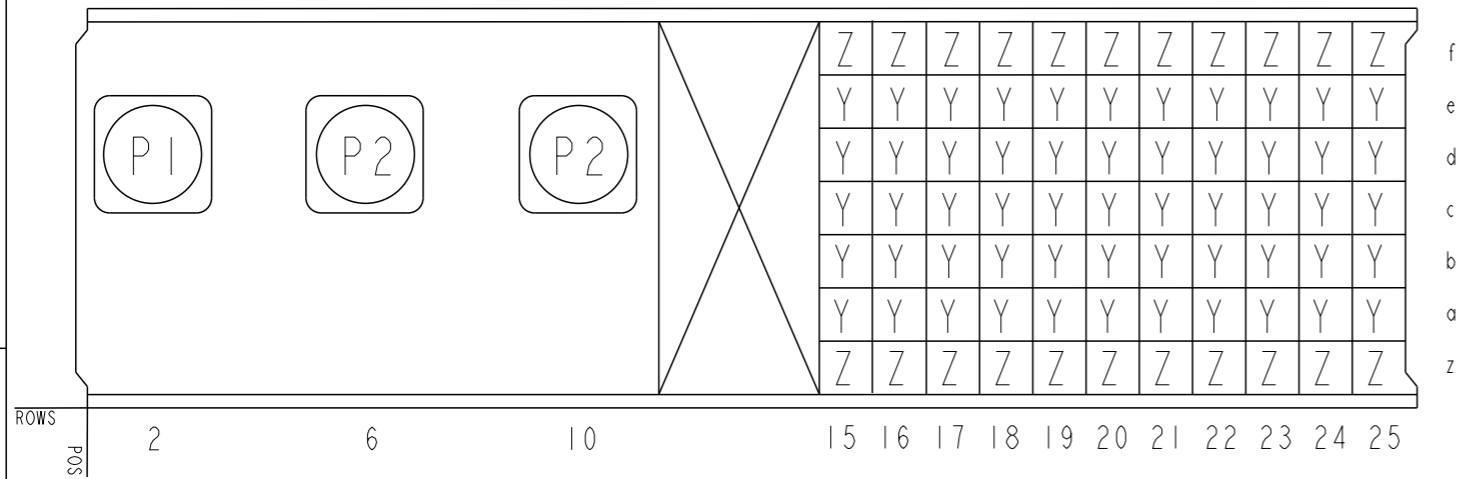


www.fciconnect.com		surface ISO 1302	tolerance std ISO 406 ISO 1101	projection mm
		TOLERANCES UNLESS OTHERWISE SPECIFIED		←→
Dr	Alex Babu	2007-08-24	ANGULAR	0.X ±0.2
Eng	Alex Babu	2007-08-24	LINEAR	0.XX ±0.1
Chr	Biju K Paul	2007-08-24	0° ±1°	0.XXX ±0.05
Appr	Biju K Paul	2007-08-24	Product family	MILLIPACS Spec ref -
FCi		MILLIPACS TYPE-M STR HDR (PIP VERSION)		dwg no BSC203204004
catalog no		HM2PIISZ-----		Rev. C
		CUSTOMER DRAWING		sheet 2 of 4

REV F - 2006-04-17

LOADING PATTERN MATING SIDE

Cat No : HM2PIISZ5041----



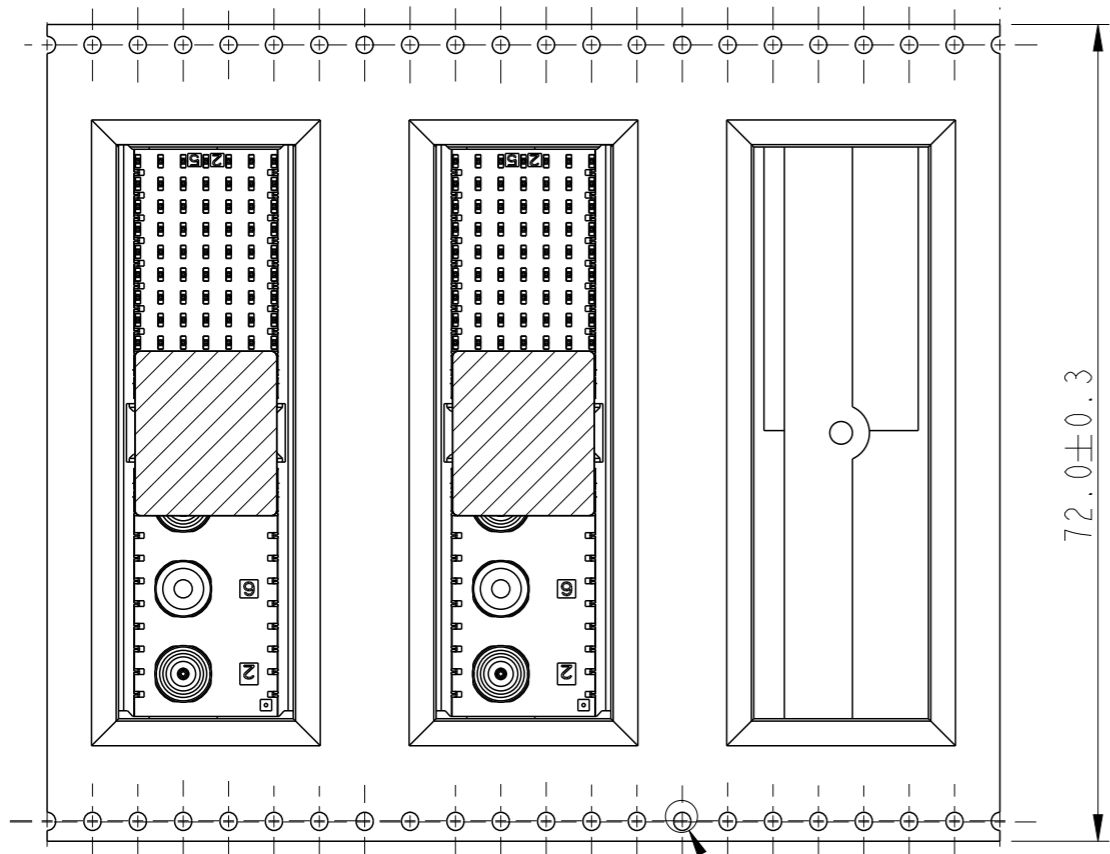
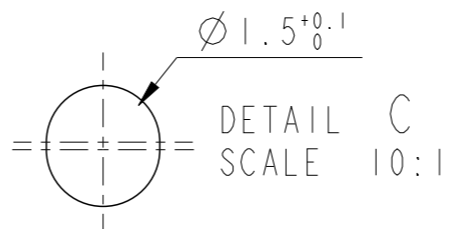
Copyright FCI.

www.fciconnect.com			surface ISO 1302	tolerance std ISO 406 ISO 1101	projection A3	mm Scale 1:1
TOLERANCES UNLESS OTHERWISE SPECIFIED						
Dr	Alex Babu	2007-08-24	ANGULAR	LINEAR	0.X	±0.2
Eng	Alex Babu	2007-08-24			0.XX	±0.1
Chr	Biju K Paul	2007-08-24	0° ±1°		0.XXX	±0.05
Appr	Biju K Paul	2007-08-24	Product family		MILLIPACS	Spec ref -
FCI			MILLIPACS TYPE-M STR HDR (PIP VERSION)		dwg no	BSC203204004
			catalog no		HM2PIISZ-----	CUSTOMER DRAWING sheet 3 of 4

TAPE ON REEL PACKAGING DETAILS

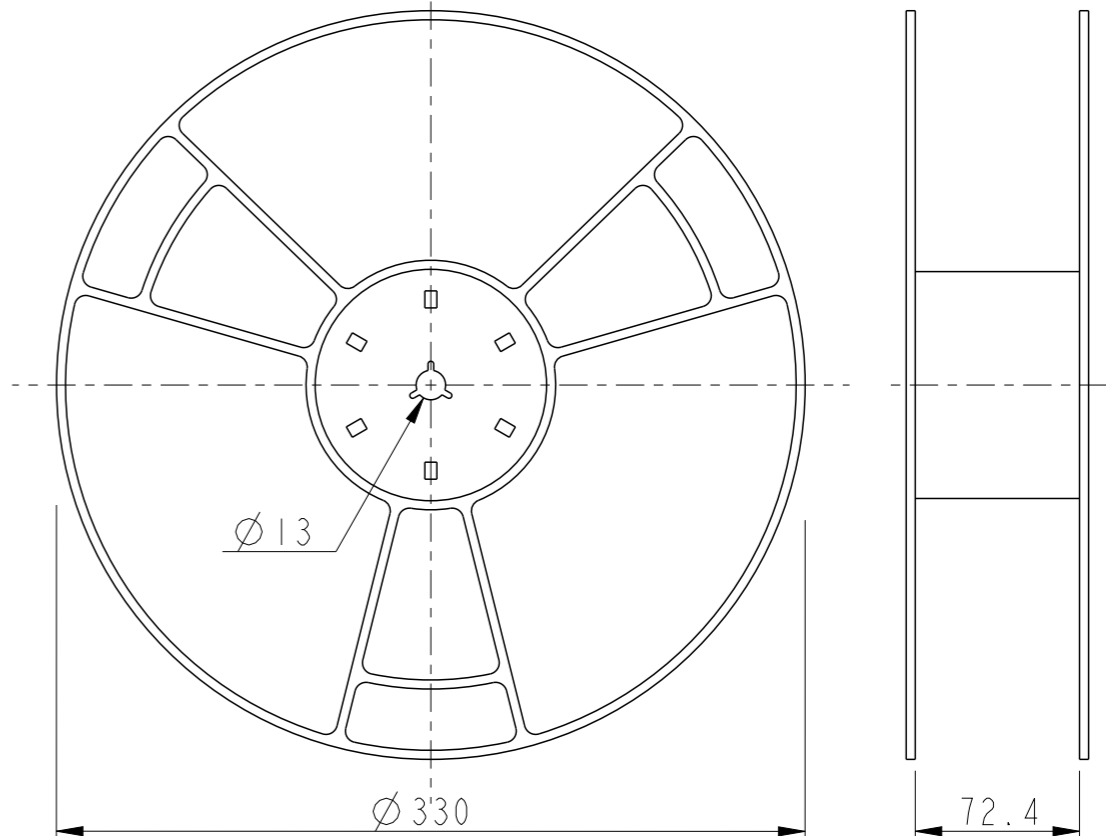
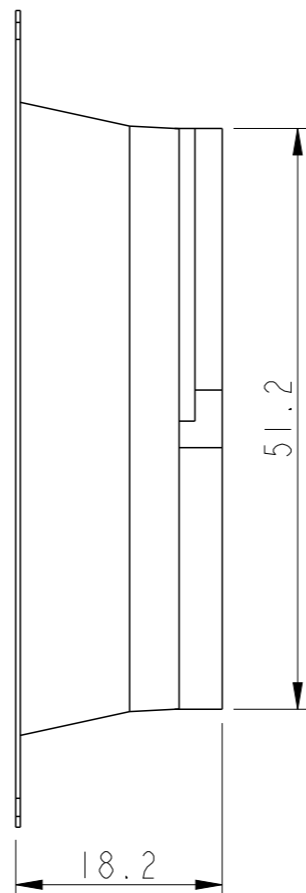
Reel Off Direction

Pitch = 4.0 Pitch = 28.0



SCALE 3:2

SEE DETAIL C

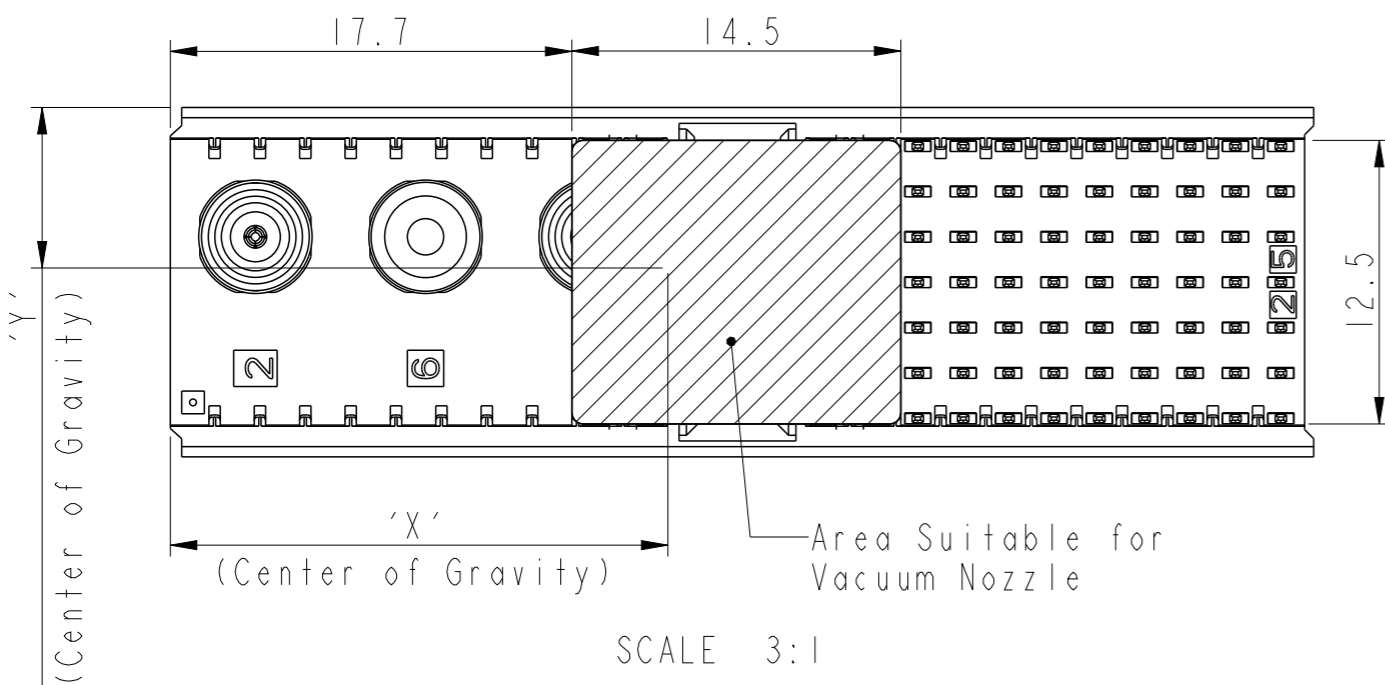


NOTES :

SCALE 3:10

- 1, CONNECTORS PACKED PER REEL : 110 PIECES
- 2, PACKAGING DETAILS AS PER EIA-481-B
- 3, PACKING SHOULD BE ANTISTATIC
- 4, MATERIAL
CARRIER TAPE : POLYSTYRENE
COVER TAPE : POLYESTER
- 5, CONNECTOR CAN BE PICKED UP WITH A VACUUM NOZZLE
DIAMETER UPTO 7 MM

Catalogue No.	Center of Gravity		Weight gms
	'X' mm	'Y' mm	
HM2PIISZ5001----	22.7	7.1	11.0
HM2PIISZ5011----	24.5	7.3	9.5
HM2PIISZ5021----	21.4	7.0	11.8
HM2PIISZ5031----	28.1	7.0	7.1
HM2PIISZ5041----	22.6	7.0	11.3



SCALE 3:1

www.fciconnect.com		surface <input checked="" type="checkbox"/> ISO 1302	tolerance std <input checked="" type="checkbox"/> ISO 406 <input type="checkbox"/> ISO 1101	projection	mm
TOLERANCES UNLESS OTHERWISE SPECIFIED					
Dr	Alex Babu	2007-08-24	ANGULAR	0.X	±0.2
Eng	Alex Babu	2007-08-24	LINEAR	0.XX	±0.1
Chr	Biju K Paul	2007-08-24	0° ±1°	0.XXX	±0.05
Appr	Biju K Paul	2007-08-24	Product family	MILLIPACS	Spec ref
		MILLIPACS TYPE-M STR HDR (PIP VERSION)		dwg no	BSC203204004
catalog no		HM2PIISZ-----		CUSTOMER DRAWING	sheet 4 of 4



Copyright FCI.