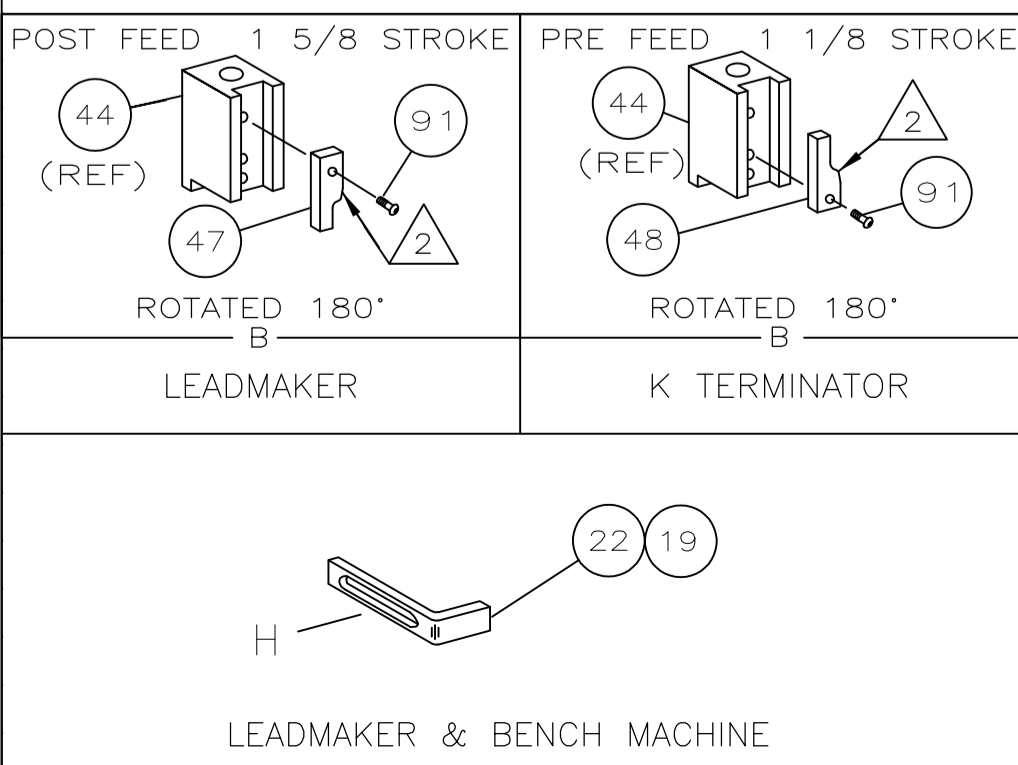
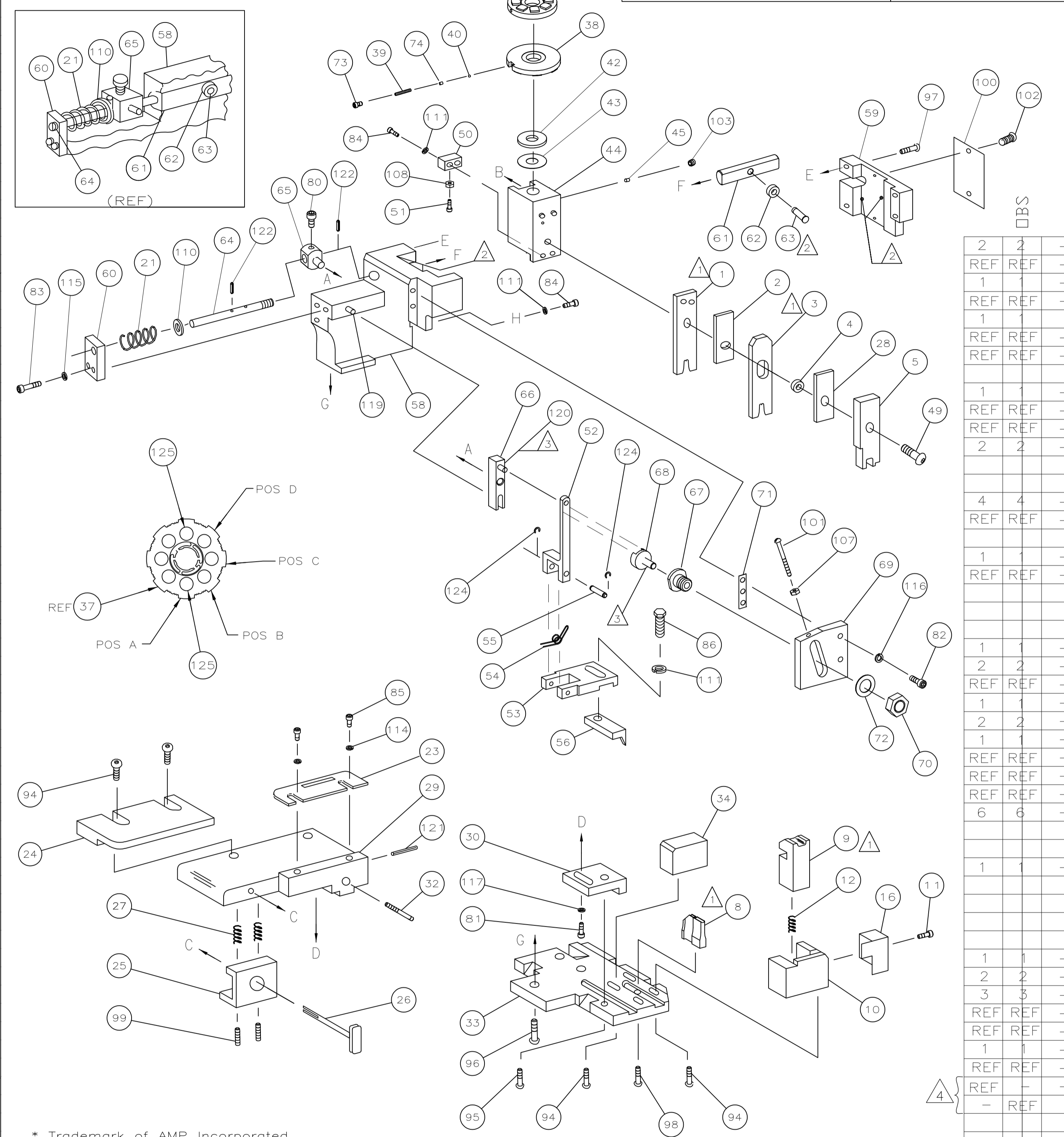
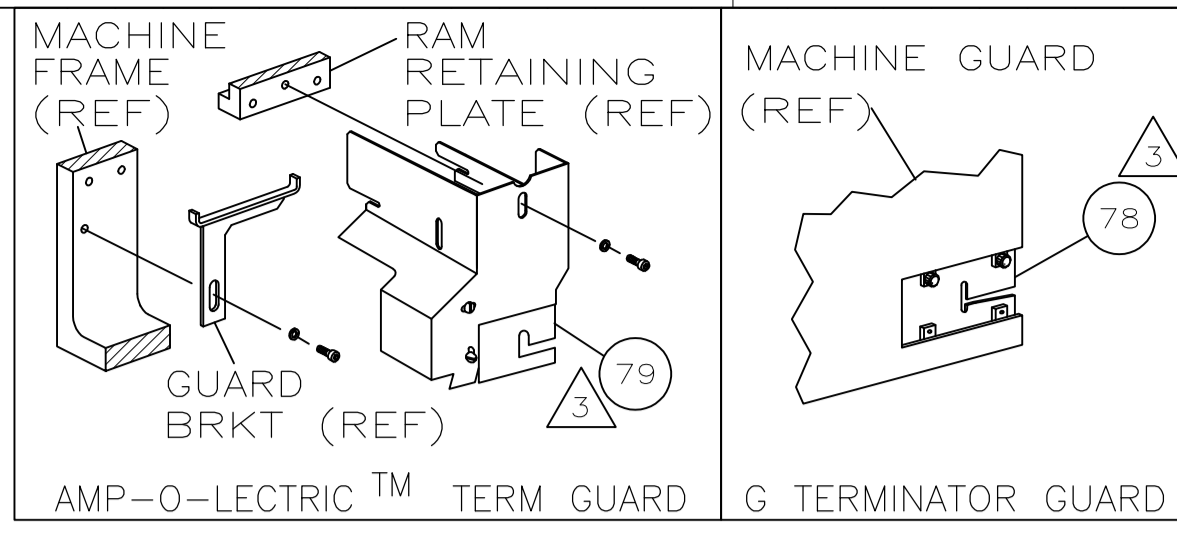


PART NUMBER	REV	FIRST USED
567292-1	A	
567292-2	C	

OBSOLETE



- 1 RECOMMENDED SPARE PARTS.
- 2 GREASE LIGHTLY.
- 3 LUBRICATE DAILY USING NO. 20 MACHINE OIL.
- 4 GUARD MUST BE IN PLACE WHEN OPERATING APPLICATOR IN AMP-O-ELECTRIC MACHINE.



TERMINAL NAME: REC CONTACT		TE TERMINAL		TE CRIMP SPECS	
171609		PAD LTR	CRIMP HEIGHT	WIRE SIZE	
A			.029 ±.002	26	
B			NOT	USED	
C			NOT	USED	
D			NOT	USED	
CRIMP	SIZE	TYPE	RANGE		
WIRE	.042	F	26		
INSUL	.070	0	.027-.059		
WIRE STRIP LENGTH	TERM APPL SPEC	FEED	APPL INSTRUCTION	SET UP GAGE	LAYOUT
.079-.118	114-5077	.236	408-8040	458637-1	L1311

QTY	REQD	PER	ASSY	PART NO	DESCRIPTION	ITEM NO
2	2	-		5-354779-6	PIN, WIRE DISC (.3270)A	125
REF	REF	-		21045-3	RING,RET "C"(.187φ)FEED FINGER PIN	124
1	1	-		986950-1	WASHER, FLAT PRECISION	123
REF	REF	-		5-21028-1	PIN,SLT SPR(.125φx.50)ADJ ROD	122
1	1	-		4-21028-0	PIN,SLT SPR(.093φx.75)ST GUIDE PL	121
REF	REF	-		1-21030-1	PIN,DOWEL(.187φx.50)LEVER	120
REF	REF	-		1-21030-6	PIN,DOWEL(.187φx1.25)HOUSING	119
1	1	-		21024-5	WASHER,LOCK(NO.10)ADJ BLOCK	117
REF	REF	-		21024-5	WASHER,LOCK(NO.10)ADJ PLATE	116
REF	REF	-		21024-5	WASHER,LOCK(NO.10)FEED GUIDE ROD	115
2	2	-		21024-2	WASHER,LOCK(NO.4)FRONT STRIP GUIDE	114
4	4	-		21024-4	WASHER,LOCK(NO.8)STRIPPER	111
REF	REF	-		21899-4	WASHER,FLAT(5/16 DIA)SCREW ADJ	110
1	1	-		21018-5	NUT,HEX(NO.6)HOLDDOWN	108
REF	REF	-		21018-5	NUT,HEX(6-32)FEED ADJ	107
1	1	-		21009-2	SCR,SKT SET(1/4-20x.25LOC-WEL)RAM	103
2	2	-		21017-2	SCR,DRIVE(#2x.19)ID PLATE	102
REF	REF	-		6-23715-5	SCR,PAN HD(6-32x1.50)FEED ADJ	101
1	1	-		461264-1	PLATE, IDENTIFICATION	100
2	2	-		5-21006-6	SCR,SET(10-32x.75)DRAG	99
1	1	-		22733-8	SCR,BHC(8-32x.38LOC-WEL)ANVIL	98
REF	REF	-		2-21002-9	SCR,BHC(10-32x.75)CAP	97
REF	REF	-		2-22733-8	SCR,BHC(1/4-20x.62)HOUSING	96
REF	REF	-		2-21002-7	SCR,BHC(10-32x.50)SG ADJ BLOCK	95
6	6	-		2-21002-2	SCR,BHC(8-32x.50)SHEAR	94
1	1	-		1-21002-7	SCR,BHC(6-32x.38)CAM	91
1	1	-		2-22603-0	SCR,HEX HEAD(8-32x.31)FEED FINGER	86
2	2	-		1-21000-3	SCR,SKT CAP(4-40x.25)F STRIP GUIDE	85
3	3	-		2-21000-7	SCR,SKT CAP(8-32x.50)STRIPPER	84
REF	REF	-		3-21000-7	SCR,SKT CAP(10-32x.75)FEED ROD GD	83
REF	REF	-		3-21000-6	SCR,SKT CAP(10-32x.62)FEED ADJ BLK	82
1	1	-		3-21000-4	SCR,SKT CAP(10-32x.38)SG ADJ BL	81
REF	REF	-		3-21000-4	SCR,SKT CAP(10-32x.38)PIVOT BLOCK	80
REF	REF	-		455749-1	GUARD, WINDOW	79
-	REF	-		455750-1	GUARD, ASSY	78
1	1	-		690603-1	SPRING, ASSIST	74
1	1	-		23030-1	SCR,SKT CAP(6-32x.25)CP DISC	73
REF	REF	-		458109-1	WASHER, SPECIAL	72
REF	REF	-		690517-1	SPACER	71
-2	-1	U/M				

5. ITEMS WITH QTY OF REF SPECIFIED (EXCEPT ITEM 79) ARE USED ON ITEM 46.

LOC	DIST	REVISIONS			
A	66	REV	DESCRIPTION	DATE	BY
C	ECR-07-025830			10-2007	MY

REF	REF	QTY	PART NO	DESCRIPTION	ITEM NO
REF	REF	-	22594-8	NUT, HEX	70
REF	REF	-	240628-1	PLATE, ADJUSTMENT	69
REF	REF	-	240626-1	SHAFT, PIVOT	68
REF	REF	-	240633-1	BUSHING	67
REF	REF	-	455680-1	LEVER, INTERMEDIATE	66
REF	REF	-	240629-1	BLOCK, PIVOT	65
REF	REF	-	240632-2	SCREW, ADJUSTMENT FEED ROD	64
REF	REF	-	240659-3	PIN, CAM ROLLER	63
REF	REF	-	240658-1	ROLLER, CAM	62
REF	REF	-	454398-2	ROD, FEED	61
REF	REF	-	454178-1	GUIDE, FEED ROD	60
REF	REF	-	454220-1	CAP, HOUSING	59
REF	REF	-	454485-1	HOUSING	58
1	1	-	458537-2	PAWL, FEED	56
REF	REF	-	240624-1	PIN, FEED FINGER	55
REF	REF	-	691499-1	SPRING, FEED FINGER	54
REF	REF	-	690541-1	FINGER, FEED	53
REF	REF	-	455679-1	LEVER, TERMINAL FEED ARM	52
1	1	-	811242-2	BUMPER, HOLDDOWN	51
1	1	-	690753-1	SPACER, TONKER	50
1	1	-	7-21002-9	BOLT, CRIMPER(5/16-24x1.00)	49
1	1	-	690602-5	CAM, PRE-FEED 1 1/8 STROKE	48
1	1	-	690501-4	CAM, PRE-FEED 1 5/8 STROKE	47
1	1	-	459456-1	APPLICATOR, BASIC (SUBASSY)	46
1	1	-	690191-1	PLUG, NYLON	45
1	1	-	1-455673-6	RAM	44
1	1	-	690125-1	WASHER, LAMINATED	43
1	1	-	690124-1	WASHER, RAM	42
1	1	-	23241-6	BALL, STEEL	41
1	1	-	690170-1	SPRING, COMPRESSION	39
1	1	-	690142-1	DISC, INSULATION	38
1	1	-	354777-1	WIRE DISC, PLASTIC	37
1	1	-	22480-5	WASHER, SPRING	36
1	1	-	690212-1	POST, RAM	35
1	1	-	690786-9	SUPPORT, TERMINAL	34
REF	REF	-	455675-1	PLATE, BASE	33
1	1	-	690432-3	SCREW, ADJUSTMENT	32
REF	REF	-	455689-1	BLOCK, STRIP GUIDE ADJ	30
1	1	-	2-455671-5	PLATE, STRIP GUIDE	29
1	1	-	1-455888-0	SPACER, FRONT SHEAR DEP	28
2	2	-	1-22284-0	SPRING, DRAG	27
1	1	-	690546-1	LEVER, DRAG RELEASE	26
1	1	-	240792-1	DRAG, STOCK	25
1	1	-	6-690504-4	GUIDE, STRIP (REAR)	24
1	1	-	690438-1	GUIDE, STRIP (FRONT)	23
-	1	-	690472-8	STRIPPER	22
REF	REF	-	4-22284-9	SPRING, FEED RETURN	21
1	1	-	691353-1	STRIPPER	19
1	1	-	691667-1	GUARD, CHIP (FRONT)	16
1	1	-	3-22280-3	SPRING, SHEAR	12
1	1	-	690461-1	STOP, SHEAR	11
1	1	-	690459-1	HOLDER, SHEAR (FRONT)	10
1	1	-	462006-1	SHEAR, FLOAT (FRONT)	9
1	1	-	4-683403-2	ANVIL	8
1	1	-	2-455889-0	DEPRESSOR, SHEAR (FRONT)	5
1	1	-	2-238011-0	SPACER, TUBULAR	4
1	1	-	2-683454-8	CRIMPER, INSULATION	3
1	1	-	455888-1	SPACER, CRIMPER	2
1	1	-	1-456401-7	CRIMPER, WIRE	1

THIS DRAWING IS A CONTROLLED DOCUMENT.

APPROVED: M. YOUNGER, G. BAILEY, G. BAILEY

TYCO ELECTRONICS CORPORATION, HARRISBURG, PA 17105-3608

MINIATURE QUICK CHANGE APPLICATOR SIDE FEED (REC CONTACT)

DRAWING NO: 00779, 567292

SCALE: 1:1, SHEET 1 OF 1