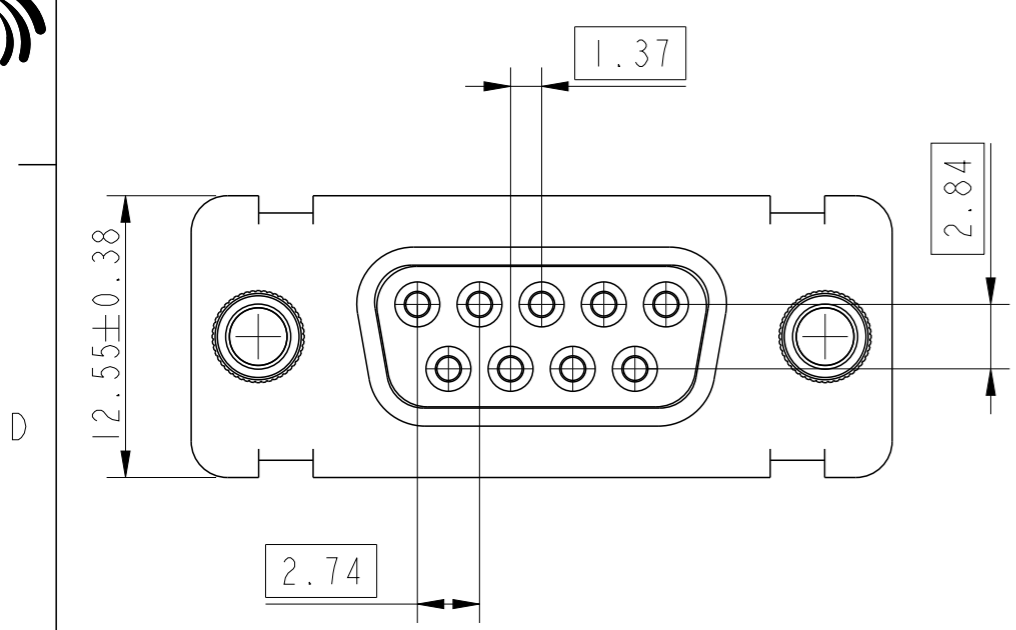
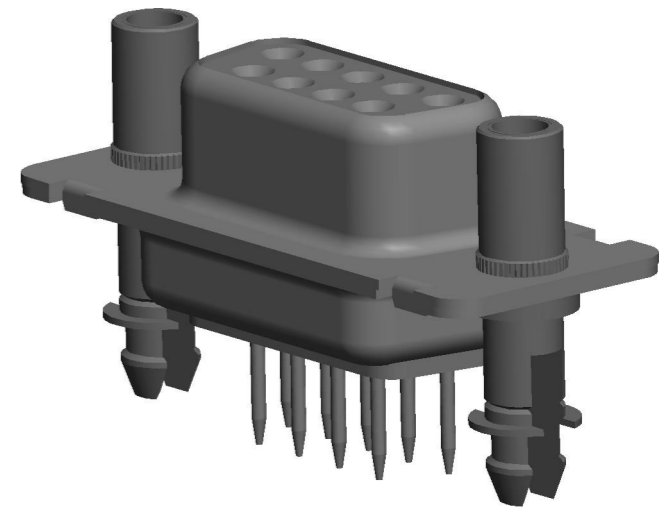
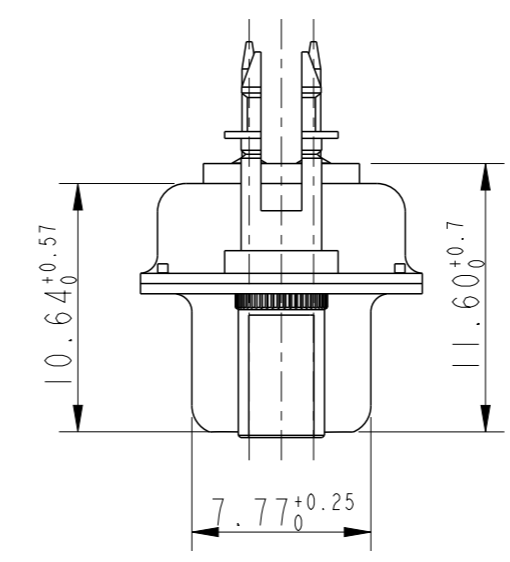
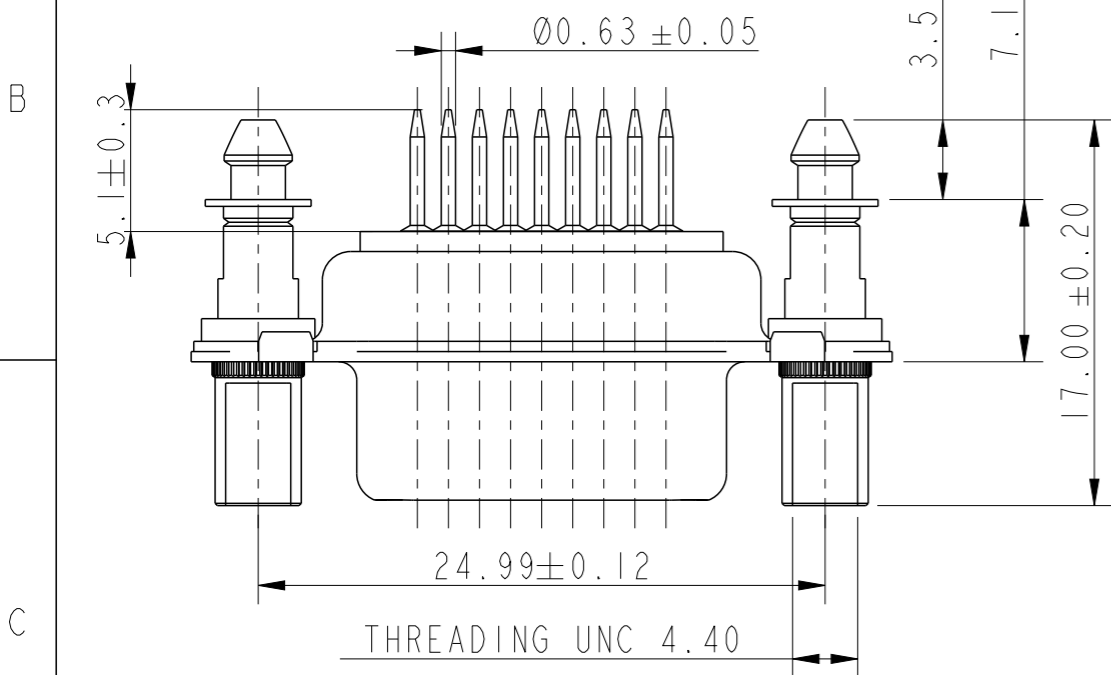
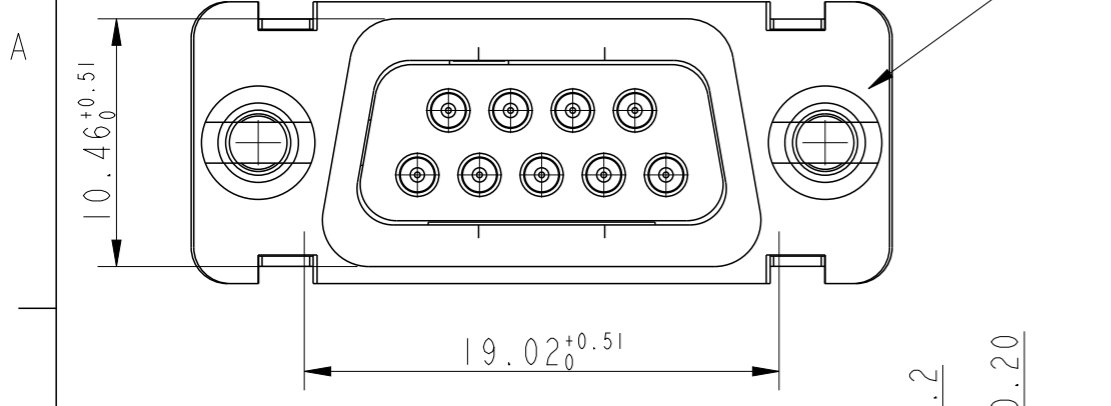


P/N DEM09S343SP284LF

TIN PLATED



spec ref	dr	A Parrenin	2013/06/21	projection	mm	size	A3	scale	3:1
tolerance std	eng	A Parrenin	2014/05/27			ecn no	ELX-B-17798-1	rel level	Released
ISO 406 ISO 1101	chr	Laurent Mulin	2014/05/27						
surface	linear	0.X	±0.3		title SOCKET CONNECTOR WITH STRAIGHT CONTACTS AND HARPONS	dwg no C01-8637-1778	rev C	Product - Customer Drw	
		0.XXX	±0.05					cat. no.	sheet 1 of 2
ISO 1302	angular	0°	±2°	www.fci.com	PDS: Rev :C	STATUS:Released	Printed: May 27, 2014		



Copyright FCI.

PHYSICAL CHARACTERISTICS

- INSULATOR MATERIAL : THERMOPLASTIC UL94V0
- CONTACT MATERIAL : PHOSPOR BRONZE
GOLD OVER NICKEL
- SHELLS : STEEL, Sn PURE BRIGHT PLATING
- HARPOONS : BRASS, Sn PURE BRIGHT PLATING

ELECTRICAL & ENVIRONMENTAL CHARACTERISTICS

- NOMINAL CURRENT : 7.5A
- CONTACT RESISTANCE : $\leq 7.3m\Omega$
- CONTACT/CONTACT : $\geq 1000V$
- CONTACT/GROUND : $\geq 1200V$
- INSULATION RESISTANCE : $\geq 5000M\Omega$
- OPERATING RANGE : $-55^{\circ}C$ to $125^{\circ}C$
- DAMP HEAT : 21 DAYS
- SALT SPRAY : 24 HOURS

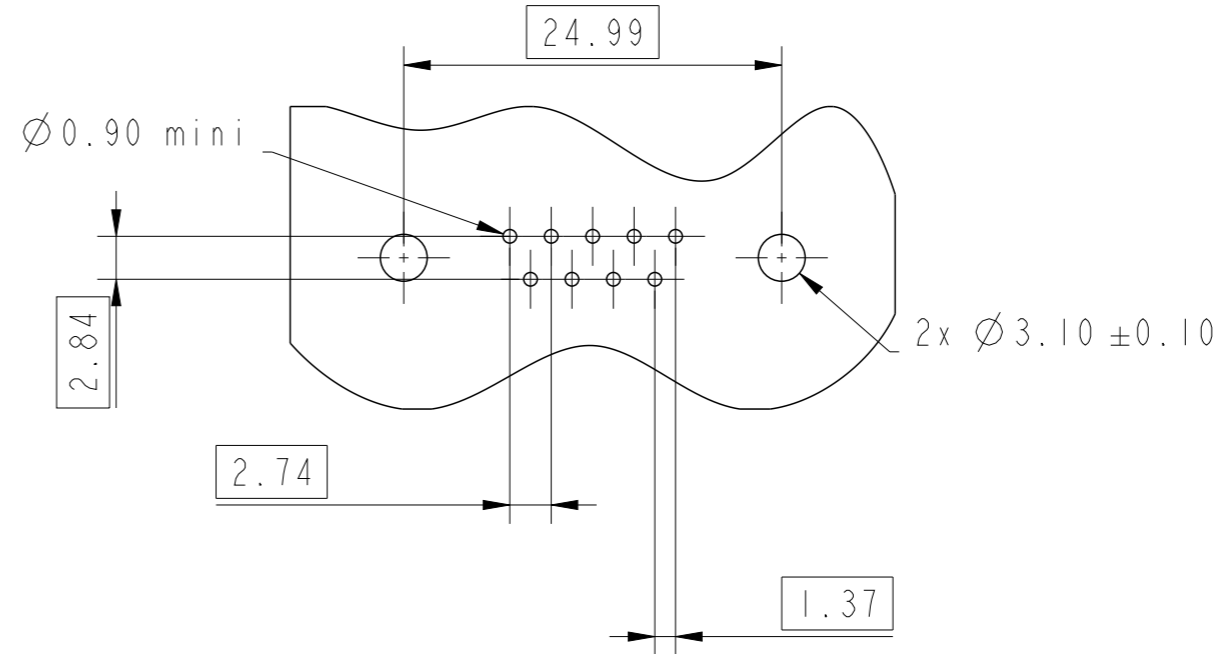
MECHANICAL CHARACTERISTICS

- 500 MATINGS/UNMATINGS
- HARPOONS DESIGNED FOR 1.6mm PCB THICKNESS

MECHANICAL CHARACTERISTICS FOR ACCESSORY

- RETENTION AGAINST TORQUE : -THREADED INSERT 0.7 N.m min

PCB LAYOUT



NOTES APPLICATION & RoHS INFORMATION

- THE "LF" PRODUCT MEETS EUROPEAN UNION DIRECTIVES AND OTHER COUNTRY REGULATIONS AS DESCRIBED IN GS-47-0004
- THE HOUSING WILL WITHSTAND EXPOSURE TO $260^{\circ}C$ PEAK TEMPERATURE FOR 3.5 SECONDS IN A WAVE SOLDERING PROCESS
- GLOBAL PACKAGING SPECIFICATION : GS-14-920

spec ref		dr	A Parrenin	2013/06/21	projection	mm	size	A3	scale	3:1			
tolerance std		TOLERANCES UNLESS OTHERWISE SPECIFIED					ecn no		ELX-B-17798-1				
surface		chr	Laurent Mulin	2014/05/27			product family		rel level		Released		
ISO 1302	linear	0.X	±0.3		SOCKET CONNECTOR WITH STRAIGHT CONTACTS AND HARPONS			dwg no		C01-8637-1778	rev	C	
		0.XX	±0.1					cat. no.		Product - Customer Drw		sheet 2 of 2	
	angular	0°	±2°					www.fci.com					

