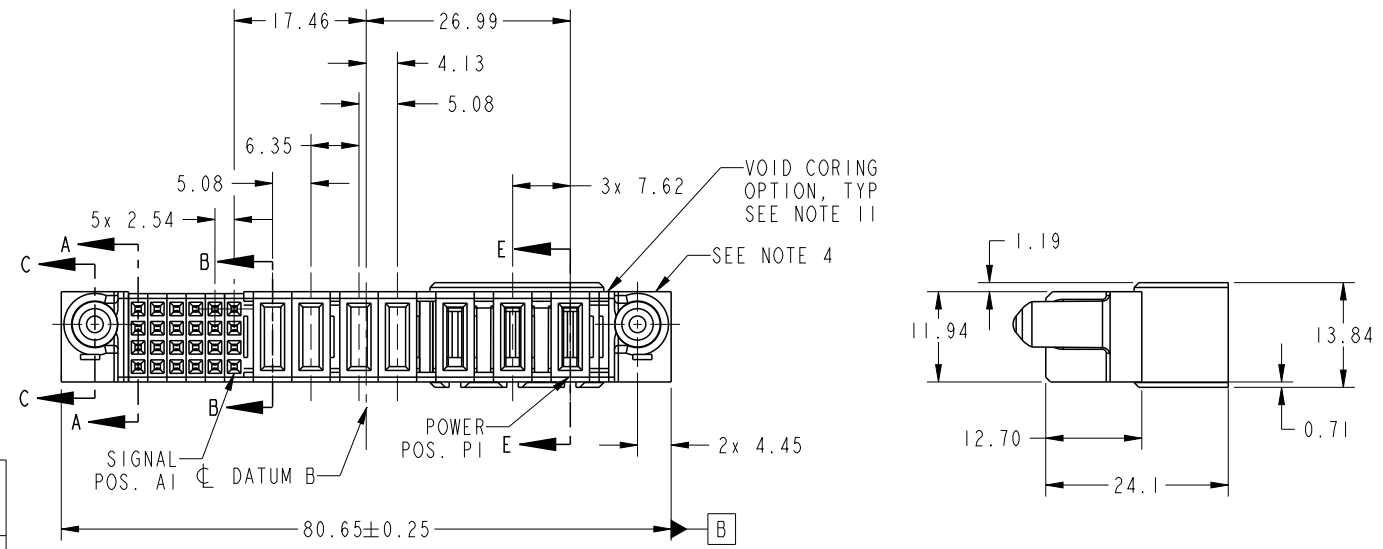
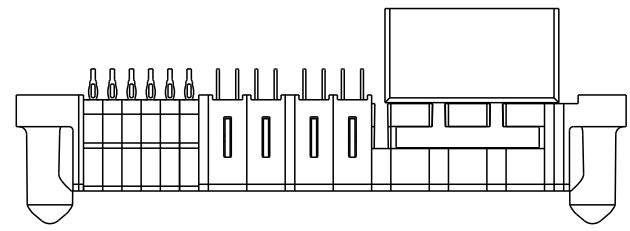


FCI CONFIDENTIAL



This document is the property of and embodies CONFIDENTIAL and PROPRIETARY information of FCI. No part of the information shown on this document may be used in any way or disclosed to others without the written consent of FCI. Copyright FCI.

PRODUCT NO.	ROWS	SIGNAL					POWER						E1			
		E2	6	5	4	3	2	1	P7	P6	P5	P4		P3	P2	P1
51929-005 -- NOTE:3	D C B A		F	F	F	F	F	F	PF	PF	PF	PF	PG	PH	PH	
		F	F	F	F	F	F	F								
		F	F	F	F	F	F	F								
		F	F	F	F	F	F	F								



TOLERANCES UNLESS OTHERWISE SPECIFIED		
	0.X	±0.5
	0.XX	±0.25
linear	0.XXX	±0.1
angular	0°	±2°

tolerance std	material	dr	Luo Weller	2013/01/30	projection 	MM ←→	size	A4	scale	1:1
	mat code	eng	Luo Weller	2013/04/22			ecn no	ELX-DG-14588-1		
	heattreat	chr	-	-			rel level	Released		
	plating/finish	appr	Pei-Ming Zheng	2013/04/23	product family	PwrBlade				
surface ✓	spec ref	 www.fci.com	title			dwg no	51929-005	rev	B	
	model name		3ACP + 4P + 24S						Product - Customer Drw	sheet 1 of 4
	model revision		VERT PF RECEPT CABLE PORT							
model revision		A	cat. no.	*	Product - Customer Drw		sheet 1 of 4			

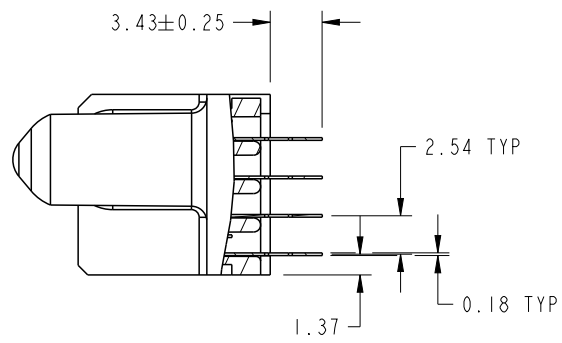
Profile File - REV C - 2009-06-09

FCI CONFIDENTIAL

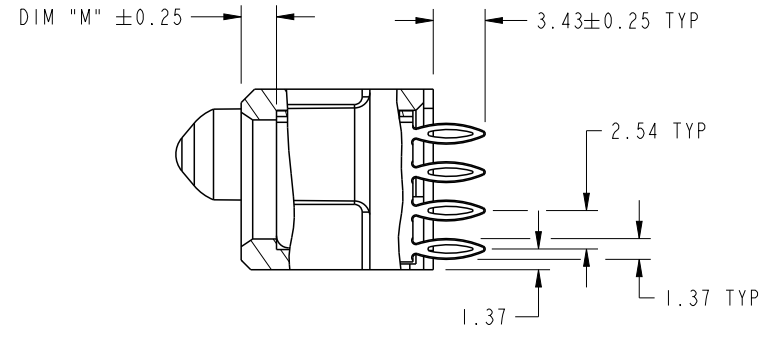


This document is the property of and embodies CONFIDENTIAL and PROPRIETARY information of FCI. No part of the information shown on this document may be used in any way or disclosed to others without the written consent of FCI. Copyright FCI.

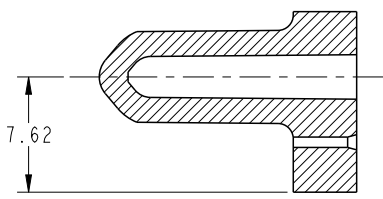
PRODUCT NUMBER
51929-005



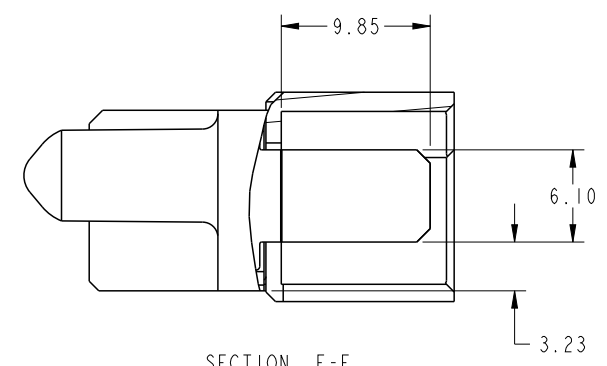
SECTION A-A
SCALE 2:1



SECTION B-B
SCALE 2:1



SECTION C-C
SCALE 2:1



SECTION E-E
SCALE 2:1

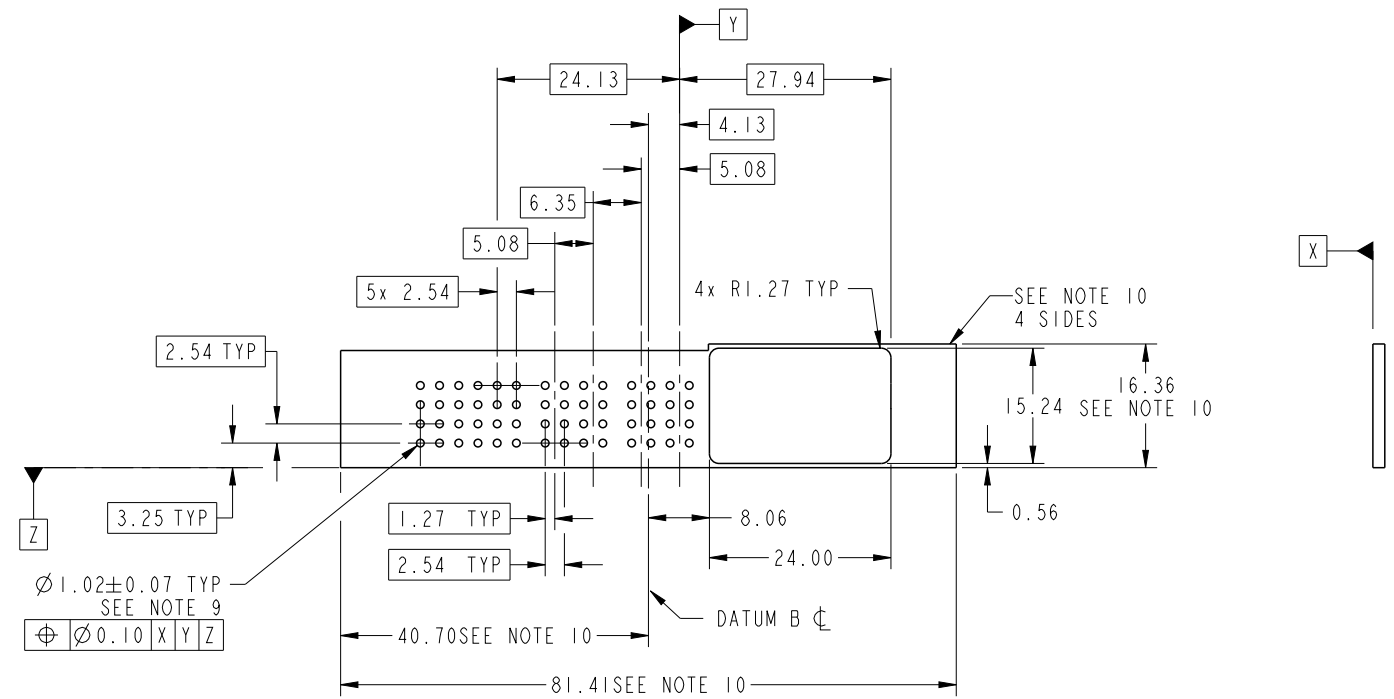
dr	Luo Weller	2013/01/30	projection 	MM 	size	A4	scale	1:1
eng	Luo Weller	2013/04/22			ecn no	ELX-DG-14588-1		
chr	-	-			rel level	Released		
appr	Pei-Ming Zheng	2013/04/23	product family	PwrBlade		rev	B	
		title 3ACP + 4P + 24S VERT PF RECEPT CABLE PORT			dwg no 51929-005			
www.fci.com		cat. no.	*	Product - Customer Drw			sheet 2 of 4	



This document is the property of and embodies CONFIDENTIAL and PROPRIETARY information of FCI. No part of the information shown on this document may be used in any way or disclosed to others without the written consent of FCI. Copyright FCI.

FCI CONFIDENTIAL

PRODUCT NUMBER
51929-005



$\varnothing 1.02 \pm 0.07$ TYP
 SEE NOTE 9
 ⊕ $\varnothing 0.10$ X Y Z

dr	Luo Weller	2013/01/30	projection 	MM 	size	A4	scale	1:1
eng	Luo Weller	2013/04/22			ecn no	ELX-DG-14588-1		
chr	-	-			rel level	Released		
appr	Pei-Ming Zheng	2013/04/23	product family	PwrBlade		rev	B	
		title	3ACP + 4P + 24S VERT PF RECEPT CABLE PORT		dwg no	51929-005		
www.fci.com	cat. no.	*	Product - Customer Drw		sheet 3 of 4			

PartE File - REV C - 2009-06-09



This document is the property of and embodies CONFIDENTIAL and PROPRIETARY information of FCI. No part of the information shown on this document may be used in any way or disclosed to others without the written consent of FCI. Copyright FCI.

FCI CONFIDENTIAL

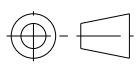
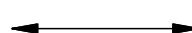

PRODUCT NUMBER
51929-005

NOTES:

1. DIMENSIONS AND TOLERANCES ARE IN ACCORDANCE WITH ASME Y14.5M, 1994 UNLESS OTHERWISE SPECIFIED.

CONNECTOR NOTES:

- 2 HOUSING MATERIAL: UL 94 V-0 GLASS FILLED HIGH-TEMP THERMOPLASTIC
POWER CONTACT MATERIAL: COPPER ALLOY
SIGNAL PIN MATERIAL: COPPER ALLOY
- 3. SEE ITEM 7 & 8 IN PRINT 10064183 FOR PLATING SPEC OF 51929-005 AND 51929-005LF RESPECTIVELY.
- 4 MANUFACTURER'S NAME, DATE CODE AND OPTIONAL P/N TO APPEAR ON THIS SURFACE. THE P/N CAN BE OMITTED IF THERE IS NOT ENOUGH SPACE ON THIS SURFACE.
- 5. PRODUCT SPECIFICATION GS-12-149.
APPLICATION SPECIFICATION BUS-20-067.
- 6. PACKAGED IN TRAYS.
- PCB NOTES:
- 7. ALL HOLE DIAMETERS ARE FINISHED HOLE SIZE.
- 8 MOUNTING HOLES, WHERE APPLICABLE, ARE UNPLATED.
- 9 $\varnothing 1.151 \pm 0.025$ DRILLED HOLES PLATED WITH 0.008 MIN SnPb OR Sn OVER 0.03 TO 0.08 Cu PLATING TO ACHIEVE $\varnothing 1.02 \pm 0.07$ HOLE.
- 10 CONNECTOR KEEP-OUT ZONE.
- 11. THE VOID CORING IN BETWEEN POWER MODULES, SIGNAL MODULES AND END MODULES ARE OPTIONAL AND THE SHAPE MAY BE DIFFERENT FOR OPTIMIZE THE MOLDING PROCESS. THE VOID CORING WILL NOT EFFECT TO PRODUCT FUNCTION.

dr	Luo Weller	2013/01/30	projection 	MM 	size	A4	scale	1:1	
eng	Luo Weller	2013/04/22			ecn no	ELX-DG-14588-1			
chr	-	-			rel level	Released			
appr	Pei-Ming Zheng	2013/04/23	product family	PwrBlade					
		title	3ACP + 4P + 24S VERT PF RECEPT CABLE PORT		dwg no	51929-005		rev	B
www.fci.com		cat. no.	*	Product - Customer Drw			sheet 4 of 4		