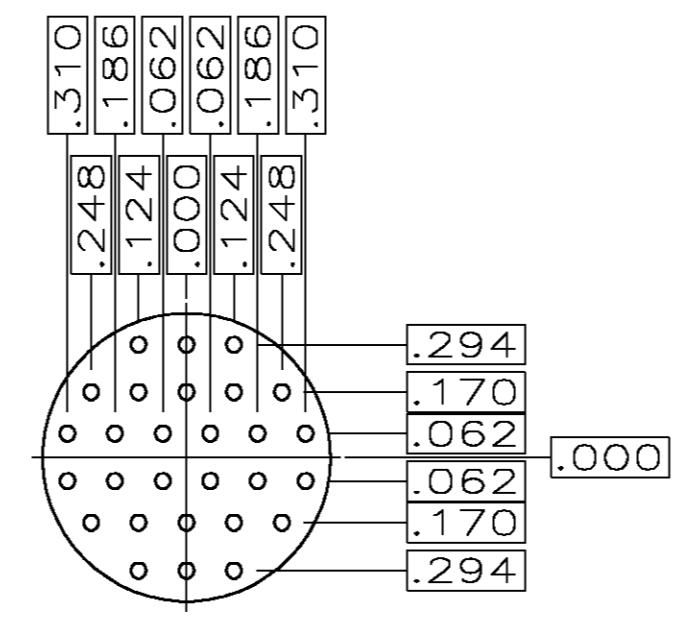
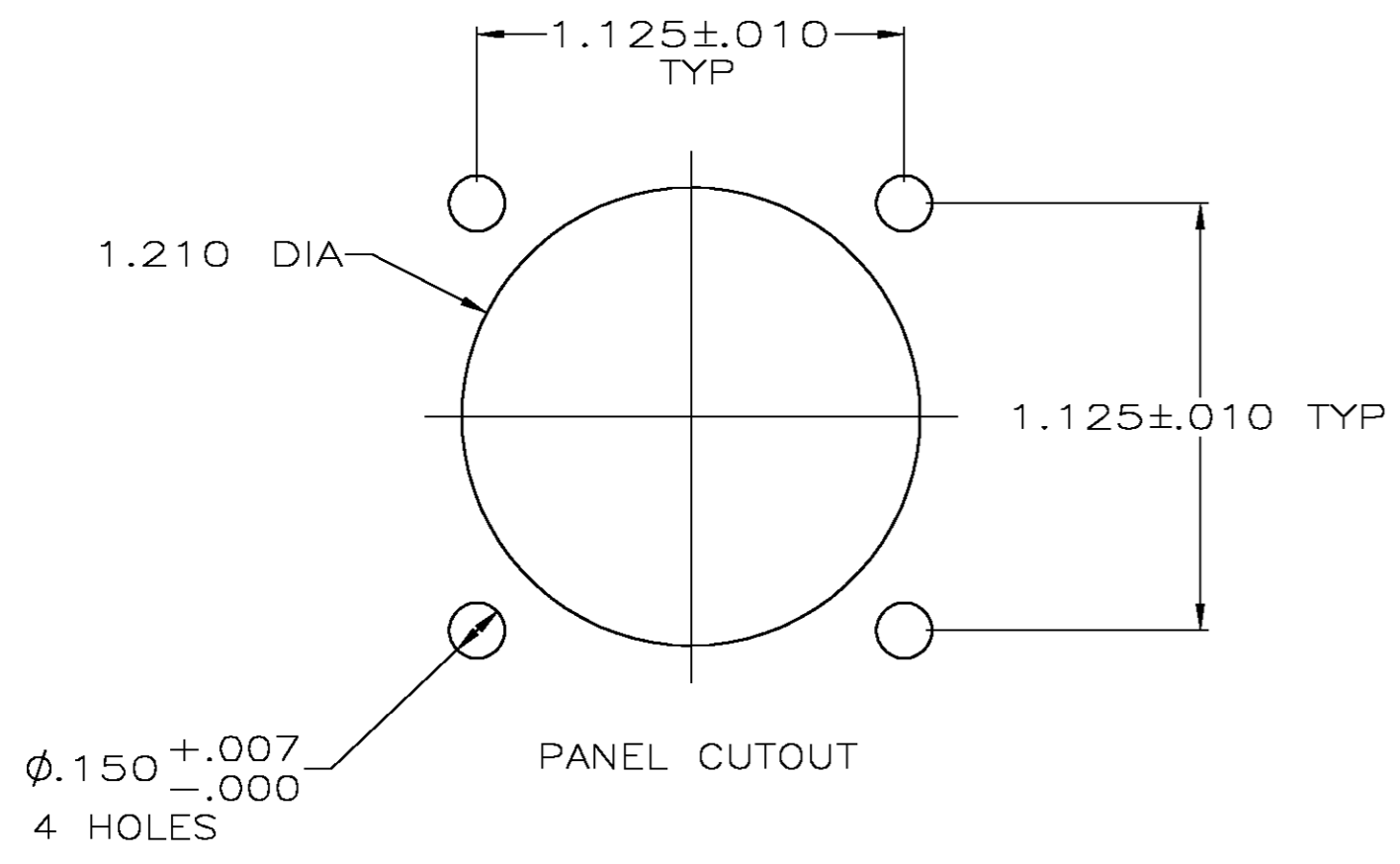
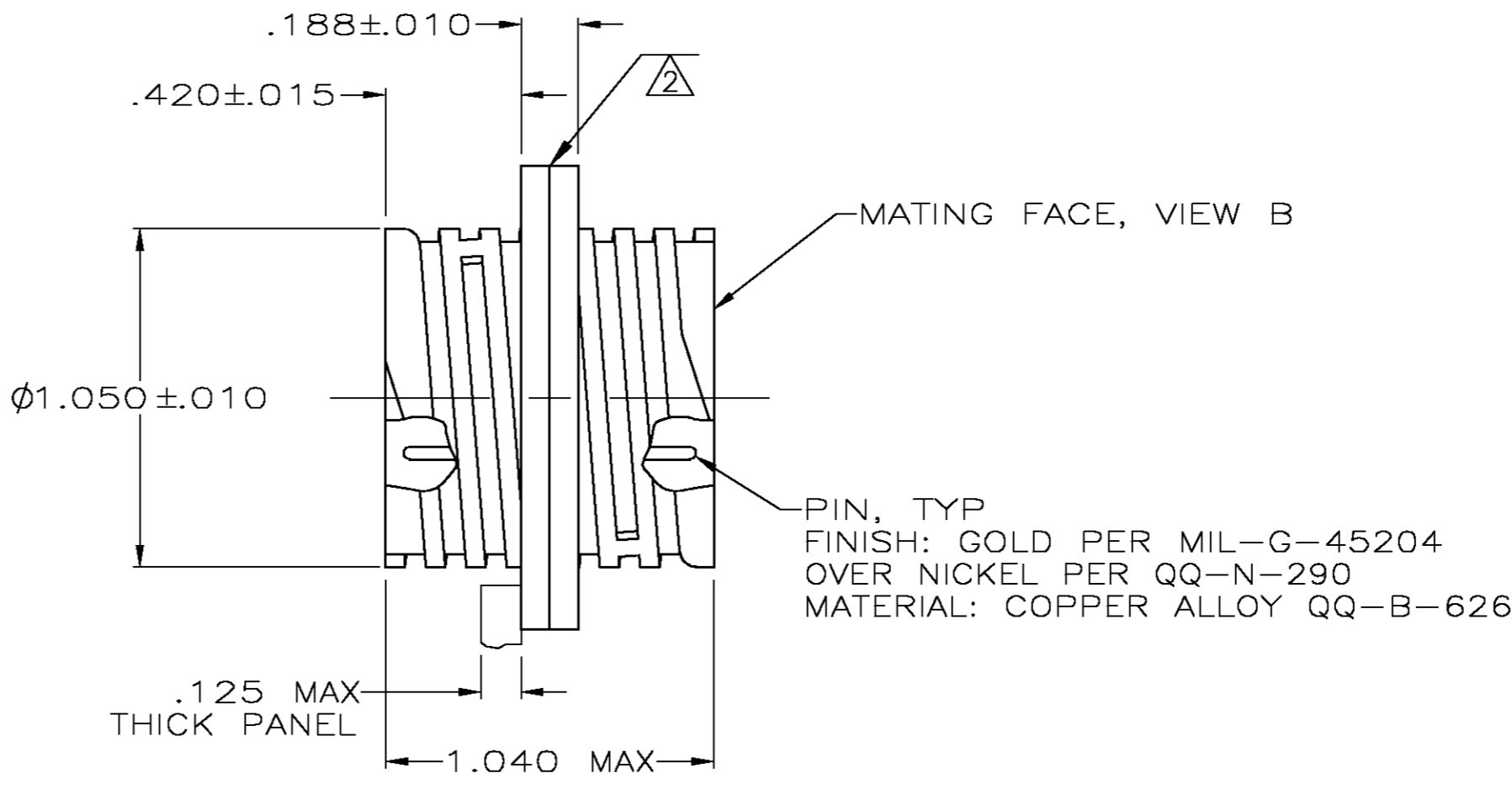
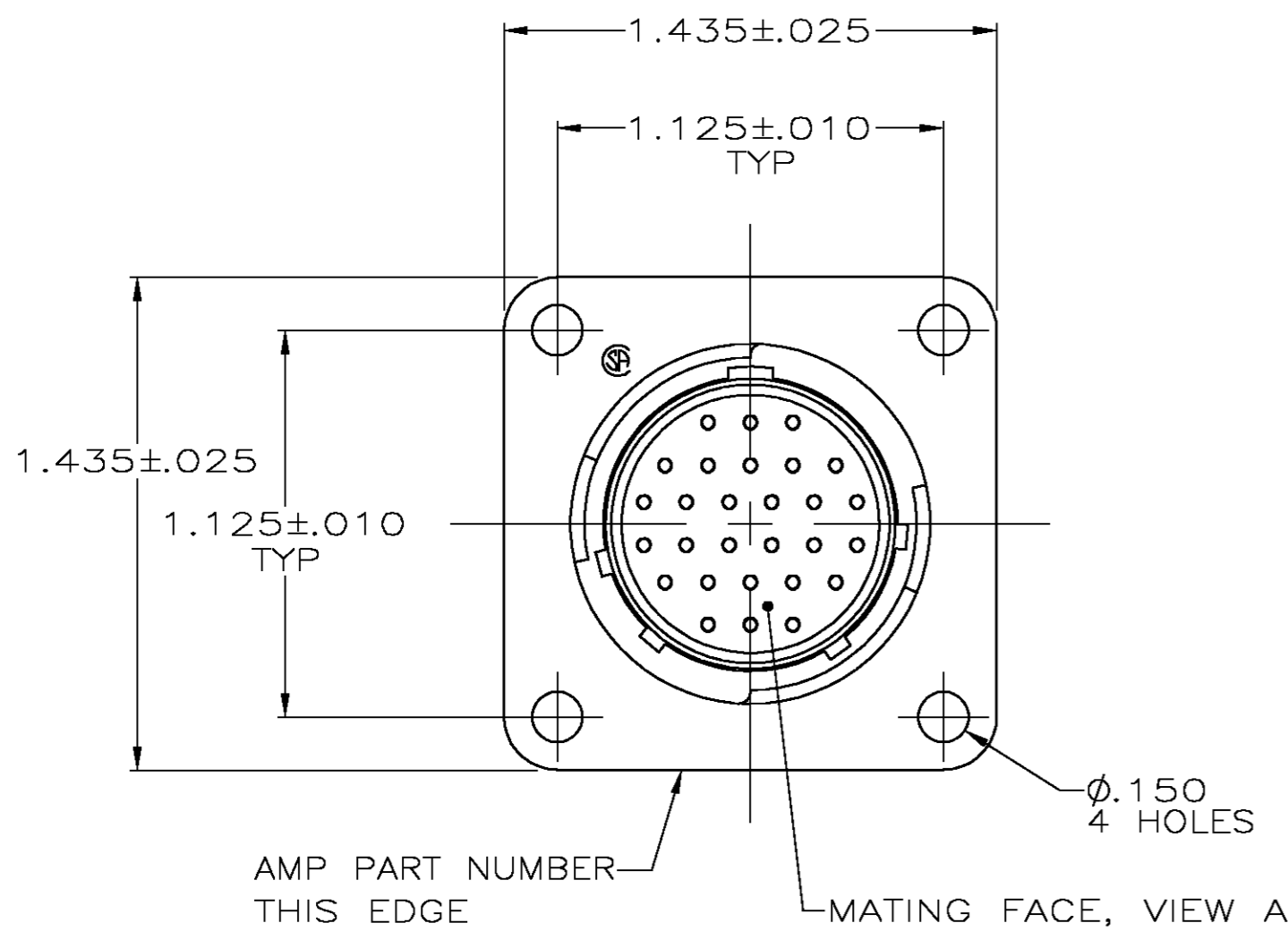
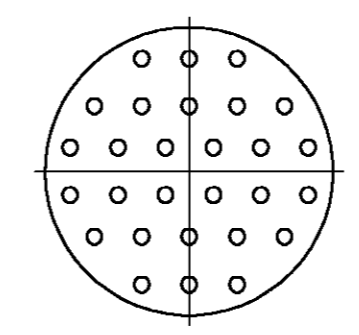


THIS DRAWING IS UNPUBLISHED. RELEASED FOR PUBLICATION
 © COPYRIGHT BY TYCO ELECTRONICS CORPORATION. ALL RIGHTS RESERVED.

LOC		DIST		REVISIONS			
P	LTR	DESCRIPTION	DATE	DWN	APVD		
FT	0						
		E	REVISED PER 0G3B-0548-04	6/22/04	SS	SH	



VIEW A
 CAVITY CONFIGURATION OF MATING FACE



- NOTES:
- CONNECTOR IS FULLY LOADED WITH SIZE 20 PIN CONTACTS, PERMANENTLY INSTALLED.
 - .012 MAXIMUM GAP PERMISSIBLE BETWEEN CONNECTOR HALVES.

206127-1
 PART NUMBER

THIS DRAWING IS A CONTROLLED DOCUMENT.		DWN	J GALLUCCI BG	5-21-91	 Tyco Electronics Corporation Harrisburg, Pa 17105-3608
DIMENSIONS: INCHES		CHK	W.G.LENKER	4-13-92	
TOLERANCES UNLESS OTHERWISE SPECIFIED:		APVD			NAME
0 PLC ± - 1 PLC ± - 2 PLC ± - 3 PLC ± .005 4 PLC ± - ANGLES ± - FINISH SEE CALLOUT		PRODUCT SPEC		108-10024	
MATERIAL RCPT: THERMOPLASTIC		APPLICATION SPEC		-	
		WEIGHT	-		SIZE
		CUSTOMER DRAWING		SCALE	2:1
		SHEET		1	OF
		REV		E	
		DRAWING NO		A2 00779 C=206127	
		RESTRICTED TO		-	