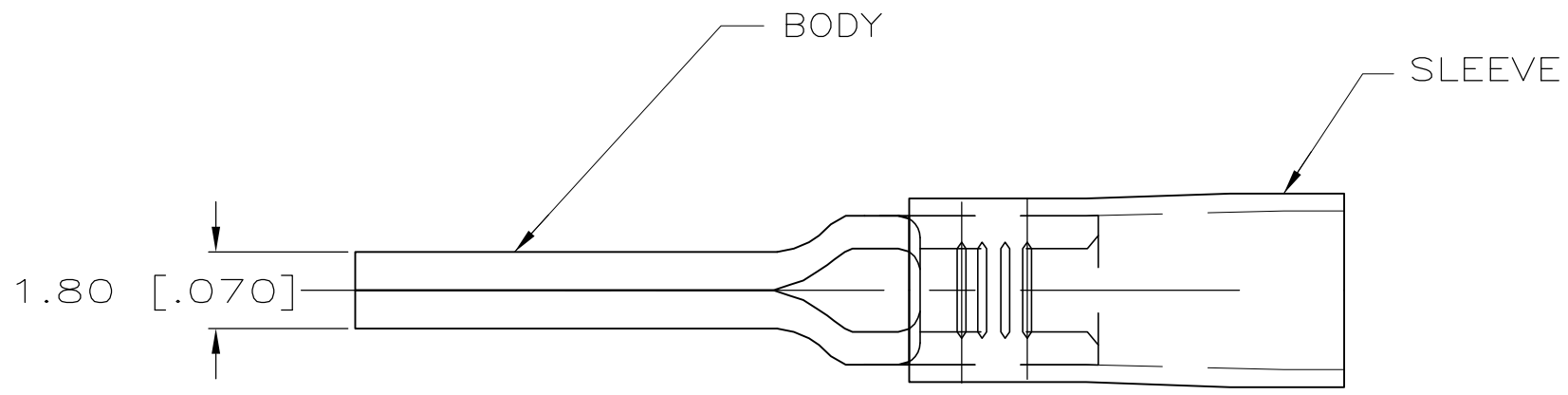


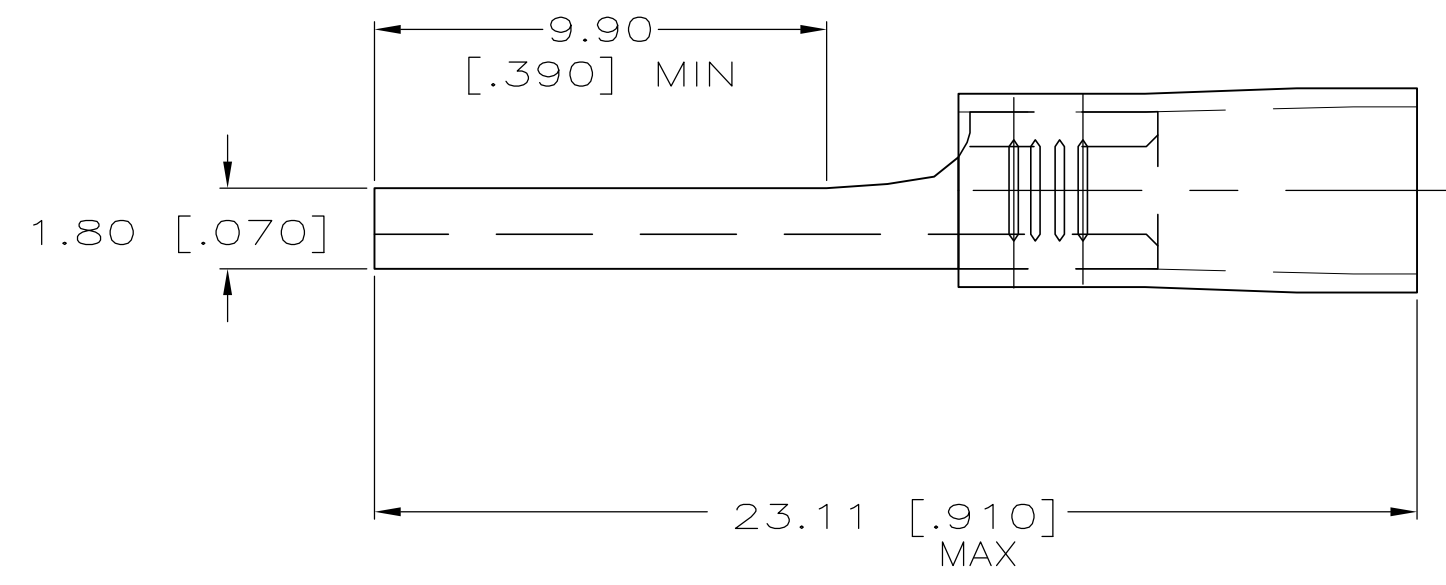
THIS DRAWING IS UNPUBLISHED. RELEASED FOR PUBLICATION
 © COPYRIGHT - BY TYCO ELECTRONICS CORPORATION. ALL RIGHTS RESERVED.

LOC	DIST	REVISIONS					
G	14	P	LTR	DESCRIPTION	DATE	DWN	APVD
			D1	REV PER ECR 07-012476	30MAY07	JR	TM



AMP WIRE RANGE	FILE E13288
22-16 AWG STRANDED	22-16 AWG STRANDED

- 1 WIRE INSULATION DIA.
2.67-3.56 [.105-.140] DIA.
- 2 MATERIAL: BODY - CU PER ASTM B152
SLEEVE - NYLON
- 3 FINISH: BODY - TIN PL ASTM B545
SLEEVE - COLOR - RED
- 4 LOOSE PIECE P/N 165168



5000	ON TAPE	696273-2
QTY	PACKAGE TYPE	PART NO

AMP INCORPORATED CUSTOMER SERVICE SYSTEMS		MAX RECOMMENDED OPERATING TEMPERATURE: 105°C [221°F]	THIS DRAWING IS A CONTROLLED DOCUMENT.		DWN JR RUTH 01DEC00	Tyco Electronics Corporation Harrisburg, PA 17105-3608			
FOR ADDITIONAL PRODUCT INFORMATION OR COPIES OF DRAWINGS AND TECHNICAL DOCUMENTS	PRODUCT INFORMATION CENTER 1-800-522-6752	VOLTAGE RATING: 300V MAX	DIMENSIONS: mm [INCHES]	TOLERANCES UNLESS OTHERWISE SPECIFIED:	CHK T MICHIELUTTI 01DEC00	NAME TERMINAL, WIRE PIN, PIDG WIRE SIZE, 22-16 AWG			
FOR APPLICATION TOOLING INFORMATION	TOOLING ASSISTANCE CENTER 1-800-722-1111	CIRCULAR MIL AREA: 0.25-1.6mm ² [493-3158] STRANDED		0 PLC ± - 1 PLC ± - 2 PLC ± 0.20 [.008] 3 PLC ± - 4 PLC ± - ANGLES ± -	APVD T MICHIELUTTI 01DEC00	APPLICATION SPEC			
FOR ORDER ENTRY	1-800-526-5142	THIS DRAWING IS A CONTROLLED DOCUMENT FOR AMP INCORPORATED. IT IS SUBJECT TO CHANGE AND THE CONTROLLING ENGINEERING ORGANIZATION SHOULD BE CONTACTED FOR THE LATEST REVISION.	MATERIAL	FINISH	PRODUCT SPEC	SIZE	CAGE CODE	DRAWING NO	RESTRICTED TO
			- 2	- 3	-	A3	00779	C-696273	-
CUSTOMER DRAWING					SCALE	SHEET	REV		
					6:1	1 OF 1	D1		