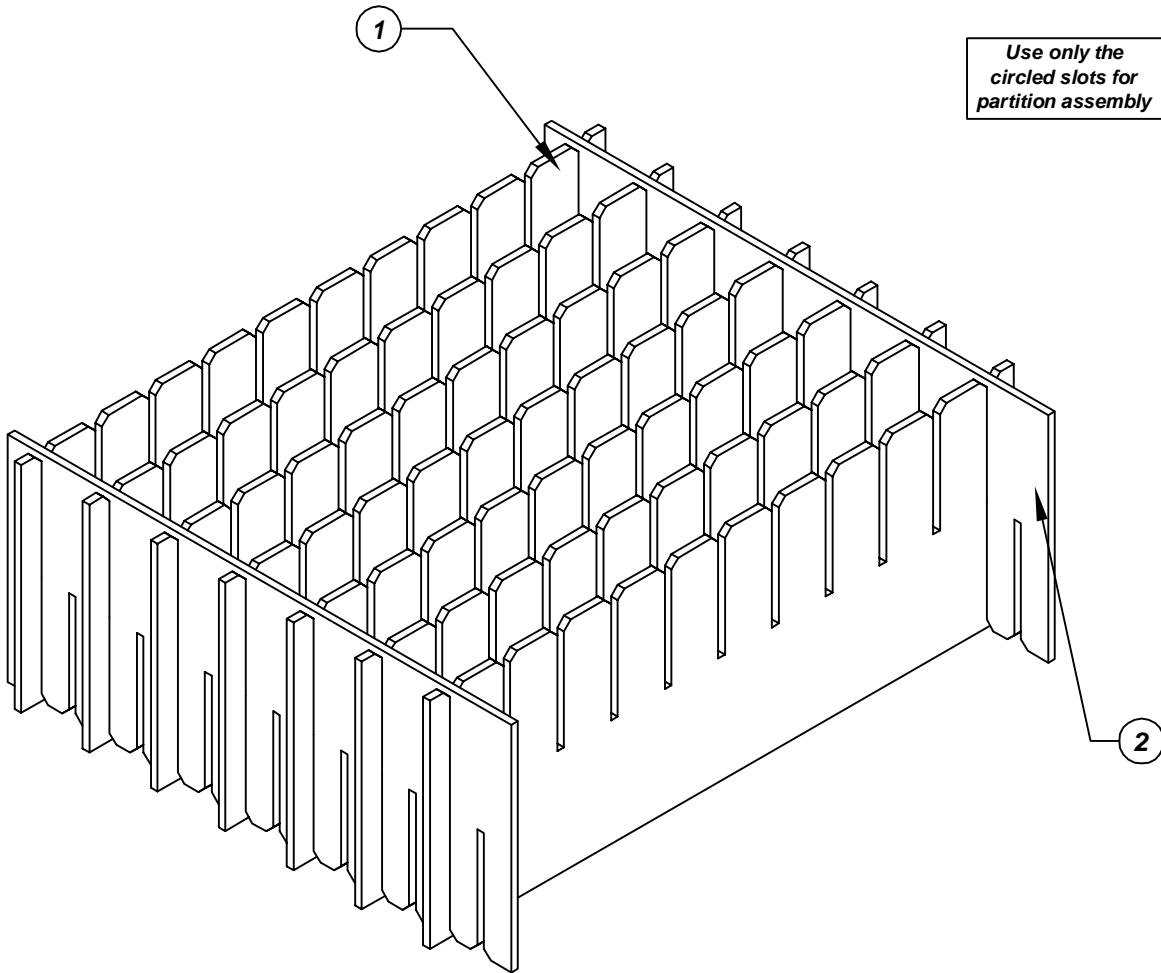
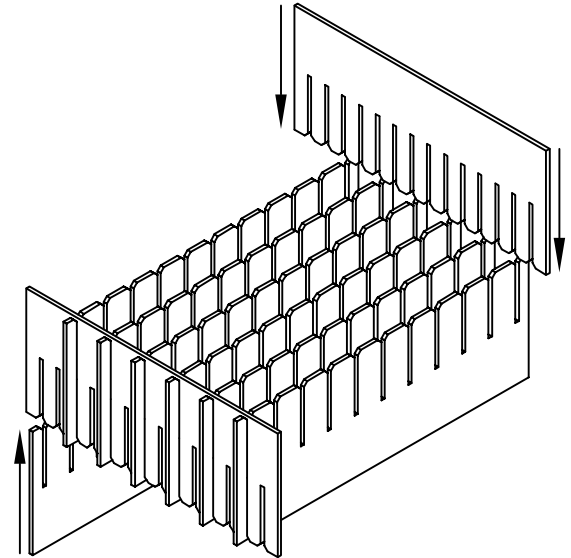
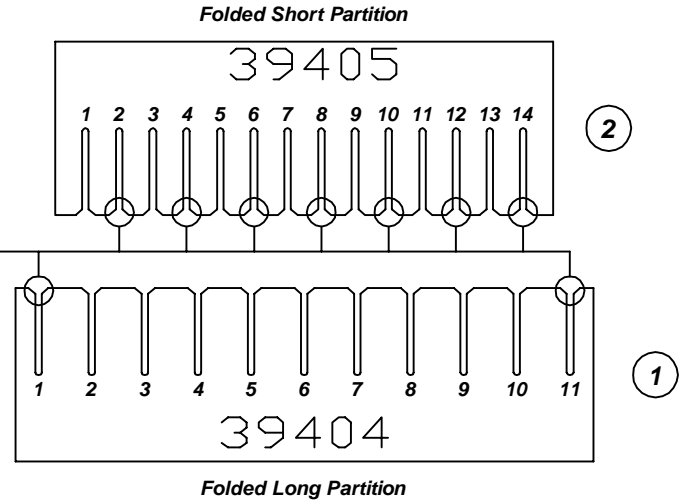


# Assembly Instructions for - 38829



Use only the circled slots for partition assembly



Made in America

F/N 1	Part # 39404	Dimensions: 16-3/16" x 21-3/4"	Description: Adjustable Long Partition	Qty: 7
F/N 2	Part # 39405	Dimensions: 16-3/16" x 18-3/4"	Description: Adjustable Short Partition	Qty: 2

**38829 - 7 Cell Inplant Handler**  
**Cell Size - 8" x 19-3/4" x 2-1/4"**

Notes:  
 For use with the following storage container & lid:  
 37532 - Storage Container  
 37557 - Lid

PROTEKTIVE PAK  
 13520 MONTE VISTA AVENUE, CHINO, CA 91710  
 PHONE (909) 627-2578, FAX (909) 363-7331  
 ProtoktivePak.com



DRAWING NUMBER  
**IPH-38829**

DATE  
 Dec.  
 2007