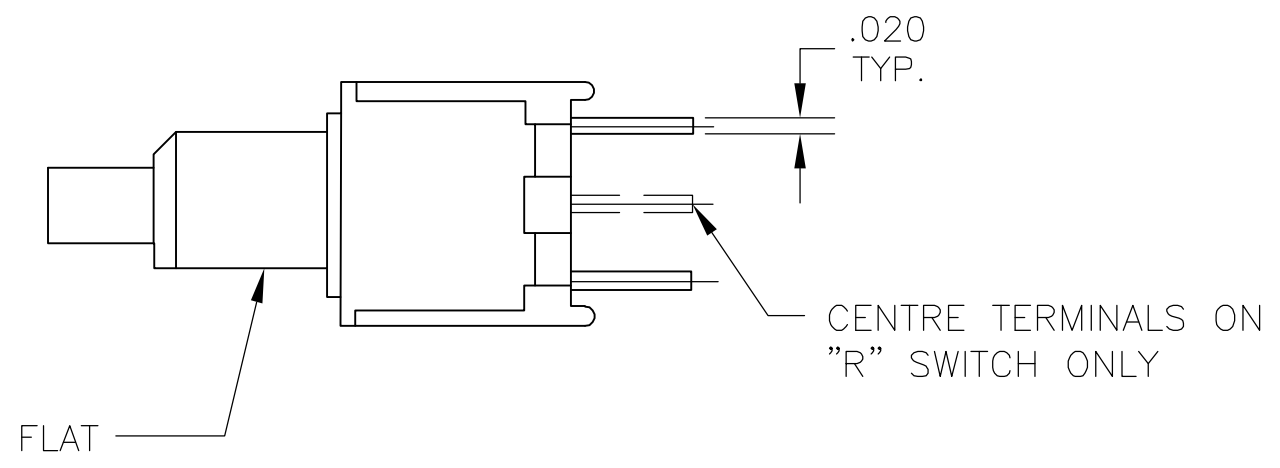


THIS DRAWING IS UNPUBLISHED. RELEASED FOR PUBLICATION  
 © COPYRIGHT BY TYCO ELECTRONICS CORPORATION. ALL RIGHTS RESERVED.

LOC	DIST	REVISIONS			
P	LTR	DESCRIPTION	DATE	DWN	APVD
AD	00	B	ECO-06-000585	10AUG06	BSV MZ



**SPECIFICATIONS:**

**MATERIALS:**

CASE: HIGH TEMPERATURE POLYESTER, UL 94V-0.  
 ACTUATOR BUTTON: THERMOPLASTIC. COLOR: SEE CHART BELOW.  
 MOVING CONTACT: COPPER ALLOY. GOLD PLATED OVER NICKEL.  
 FIXED CONTACT: COPPER ALLOY. GOLD PLATED OVER NICKEL.  
 TERMINALS: COPPER ALLOY. TIN LEAD PLATED.  
 TERMINAL SEAL: SP EPOXY.  
 DP EPOXY OPTIONAL.

**ELECTRICAL:**

CONTACT RATING: GOLD = 0.4 VA MAX. @ 20 VDC OR PEAK AC.  
 INITIAL CONTACT RESISTANCE: 20 MILLIOHMS MAX.  
 INSULATION RESISTANCE: 1,000 MEGOHMS @ 500 VDC MIN.  
 DIELECTRIC STRENGTH: 1,000 VAC @ SEA LEVEL.  
 LIFE EXPECTANCY: GOLD 1 POLE=100,000 CYCLES.  
 2 POLE=80,000 CYCLES.

**MECHANICAL:**

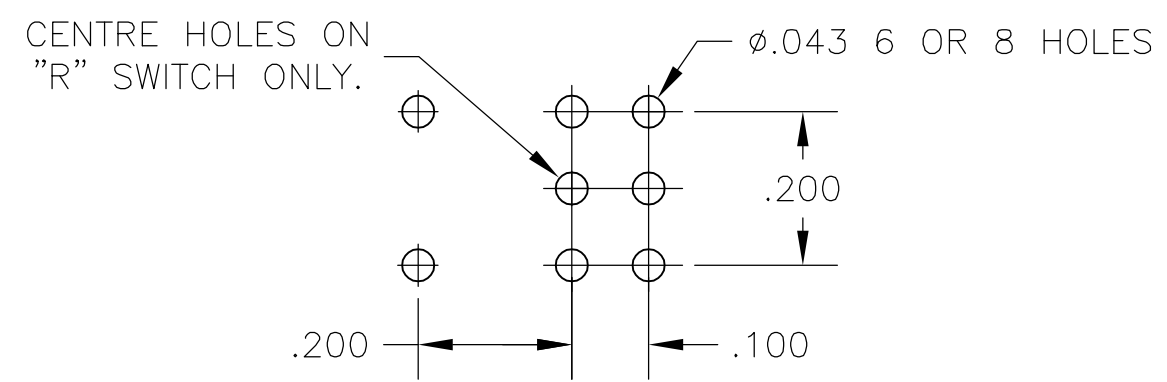
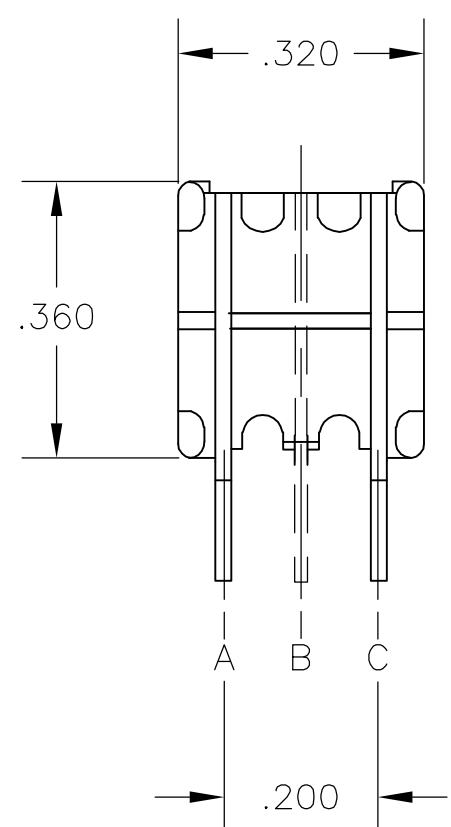
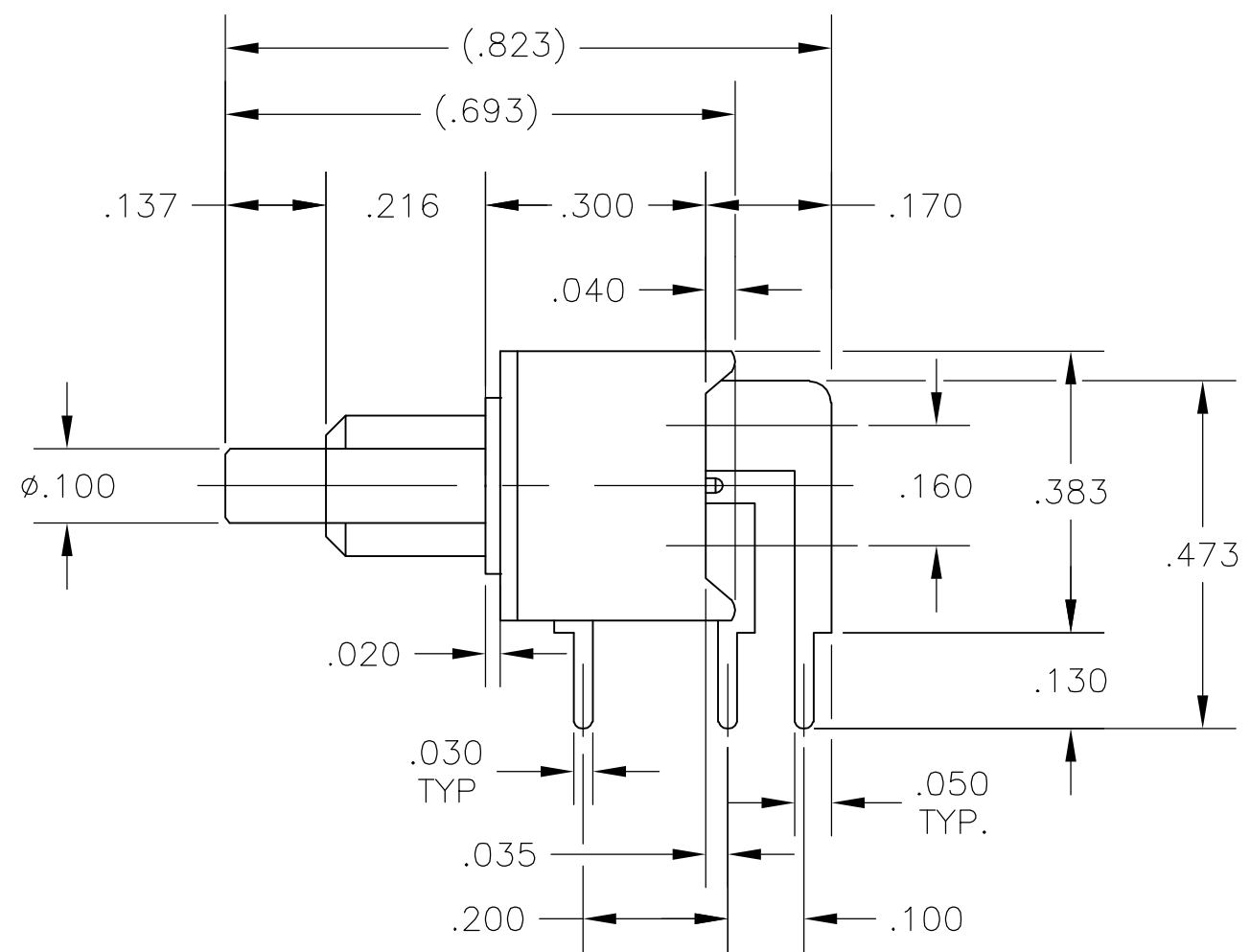
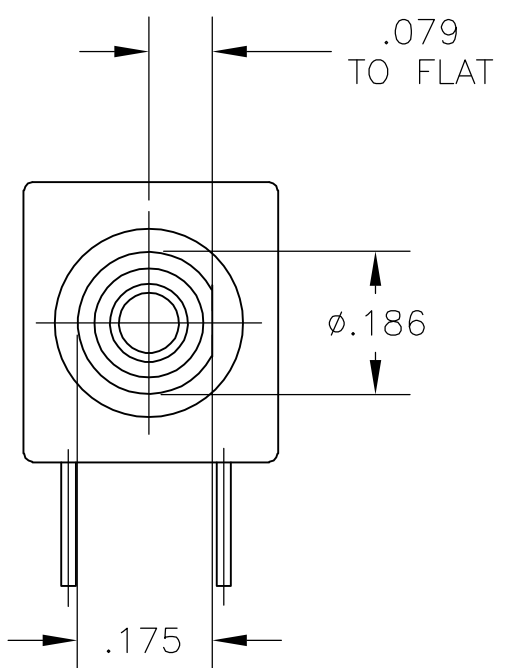
ACTUATION FORCE: 50 TO 400g.  
 ACTUATION TRAVEL: .030 APPROX.

**ENVIRONMENTAL:**

OPERATING TEMPERATURE: -22°F TO +149°F (-30°C TO +65°C).  
 STORAGE TEMPERATURE: -22°F TO +149°F (-30°C TO +65°C).

**NOTES:**

1. INTERPRET DRAWING PER ANSI Y14.5M-1994.



**RECOMMENDED HOLE LAYOUT**  
 TOLERANCE ±.002 UNLESS OTHERWISE NOTED

(*)	SPECIFY COLORS BUTTON
0	BLACK
2	RED
6	BLUE

CONTACTS			
MODEL NO	ACTION	FREE BUTTONS	DEPRESSED BUTTON
TPB21MG-RA(*)	DPST NORMALLY OPEN	NONE	A TO C
TPB21RG-RA(*)	DPDT MOMENTARY	B TO A	B TO C (MOM)

THIS DRAWING IS A CONTROLLED DOCUMENT.		DWN ED.R 11FEB86	Tyco Electronics Corporation Harrisburg, Pa 17105-3608	
DIMENSIONS: INCHES		CHK J.S 13FEB86		
TOLERANCES UNLESS OTHERWISE SPECIFIED:		APVD S.D.C 18FEB86	NAME	
0 PLC ± - 1 PLC ± - 2 PLC ± - 3 PLC ± .010 4 PLC ± - ANGLES ± 1°		PRODUCT SPEC	SUBMINATURE PUSHBUTTON SWITCH TPB21MG/RG-RA(*)	
MATERIAL SEE SPECIFICATIONS		FINISH	SIZE A2	CAGE CODE 00779
SEE SPECIFICATIONS		WEIGHT -	DRAWING NO C=8-1437571-6	
CUSTOMER DRAWING		SCALE 4:1	RESTRICTED TO	
		SHEET 1 OF 1	REV B	

8-1437571-6