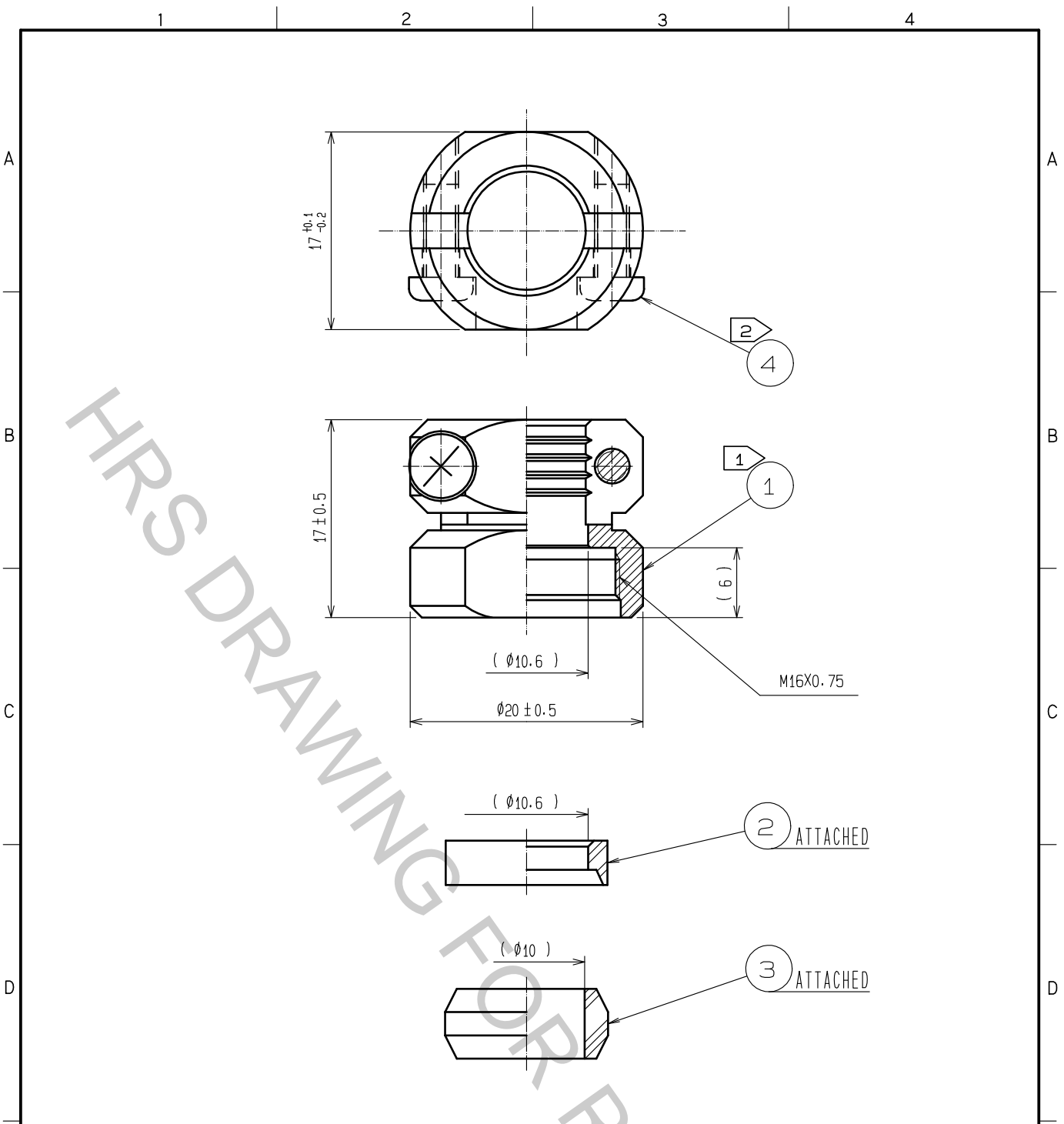


Aug.1.2018 Copyright 2018 HIROSE ELECTRIC CO., LTD. All Rights Reserved.
 In case that the application demands a high level of reliability, such as automotive,
 please contact a company representative for further information.



- NOTES
- ① THE RECOMMENDED CLAMP TRQUE OF REF. NO. ① TO BE 2 TO 2.5 N · m
 LOCTITE 263, HENKEL JAPAN OR EQUIVALENT IS RECOMMENDED TO PREVENT
 REF. NO. ① FORM LOOSENING.
 - ② THE RECOMMENDED CLAMP TRQUE OF REF. NO. ④ TO BE 0.65 TO 0.7 N · m

2	POLYPHENYLENE SULFIDE	(BLACK) UL94V-0	4	STAINLESSS STEEL	M3×0.5×8		
1	BRASS	BLACK CHROME PLATING	3	ACRYLONITRILE BUTADIENE RUBBER	(GRAY)		
NO.	MATERIAL	FINISH . REMARKS	NO.	MATERIAL	FINISH . REMARKS		
UNITS mm		SCALE 2 : 1	COUNT 	DESCRIPTION OF REVISIONS	DESIGNED	CHECKED	DATE
HIROSE ELECTRIC CO., LTD.	APPROVED	·HY. KOBAYASHI	18.02.26	DRAWING NO.	EDC-110458-31-00		
	CHECKED	·HY. KOBAYASHI	18.02.26	PART NO.	JR13WCC-10(31)		
	DESIGNED	·TH. KAMEYA	18.02.23	CODE NO.	CL114-2051-3-31		
	DRAWN	·MK. INOUE	18.02.23		1/1		