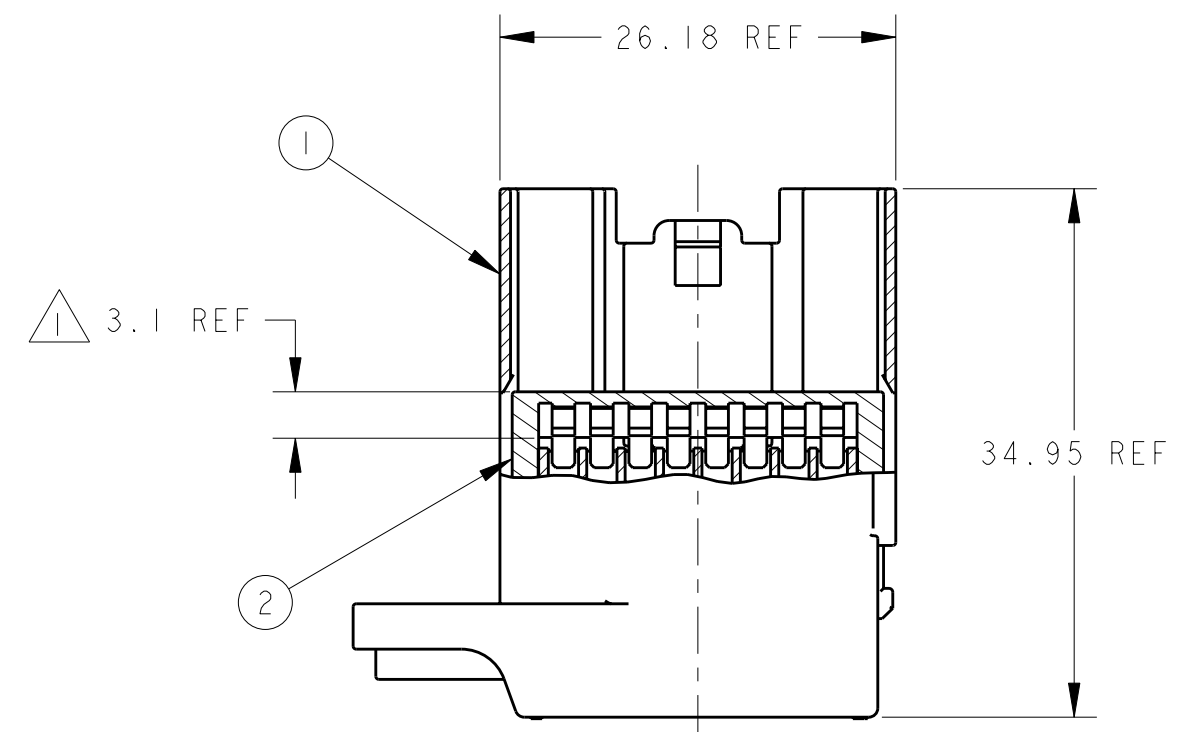
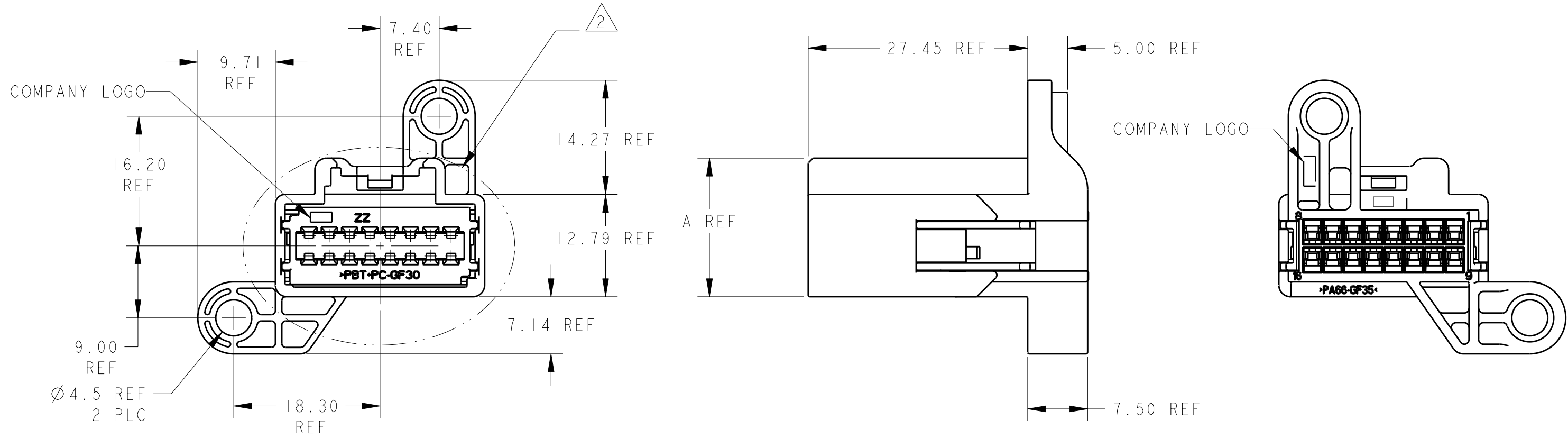
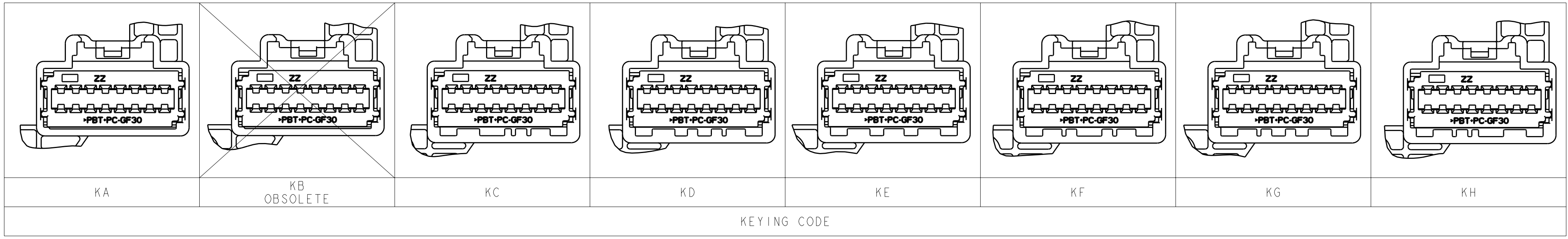


THIS DRAWING IS UNPUBLISHED. RELEASED FOR PUBLICATION 20
 © COPYRIGHT 20 BY TYCO ELECTRONICS CORPORATION. ALL RIGHTS RESERVED.

LOC	DIST	REVISIONS			
P	LTR	DESCRIPTION	DATE	DWN	APVD
FX	00				
A		REVISED PER EC 0K3G-0035-02	13FEB2002	MFF	AJS
A1		REVISED PER EC 0K3G-0228-02	20NOV2002	MBH	AJS
A2		REVISED PER ECR 06-020521	15SEP2006	DLD	DCS
A3		REV PER ECR-10-012906	24JUN2010	VSS	DZ



① TPA SHOWN IN PRE-LATCHED POSITION
 ② SEE KEYING CODE TABLE FOR VARIOUS KEYING CONFIGURATIONS

1438170-8	1438170-7	1438170-6	1438170-5	1438170-4	1438170-3	1438170-2	1438170-1	OBSOLETE					
								ASSEMBLY PART NUMBERS					
1	1	1	1	1	1	1	1	2	TPA	N/A	sPS-GF30	RED	
1								1	HEADER "KH"	18.52	sPS+PA66-GF30	BLACK	
	1							1	HEADER "KG"	18.52	sPS+PA66-GF30	BLACK	
		1						1	HEADER "KF"	18.52	sPS+PA66-GF30	BLACK	
			1					1	HEADER "KE"	18.52	sPS+PA66-GF30	BLACK	
				1				1	HEADER "KD"	18.52	sPS+PA66-GF30	BLACK	
					1			1	HEADER "KC"	18.52	sPS+PA66-GF30	BLACK	
						1		1	HEADER "KB"	17.32	sPS+PA66-GF30	BLACK	
							1	1	HEADER "KA"	17.32	sPS+PA66-GF30	BLACK	
								QUANTITY	ITEM	DESCRIPTION	DIM A	MATERIAL	COLOR

THIS DRAWING IS A CONTROLLED DOCUMENT FOR TYCO ELECTRONICS CORPORATION. IT IS SUBJECT TO CHANGE AND THE CONTROLLING ENGINEERING ORGANIZATION SHOULD BE CONTACTED FOR THE LATEST REVISION.		DWN	J. R. SHUEY	26OCT2001	Tyco Electronics Harrisburg, PA 17105-3608
DIMENSIONS: mm		CHK	A. J. SHUMAN	29OCT2001	
TOLERANCES UNLESS OTHERWISE SPECIFIED:		APVD	A. J. SHUMAN	29OCT2001	
0 PLC ± 1 PLC ±0.4 2 PLC ±0.20 3 PLC ± 4 PLC ± ANGLES ±° FINISH		PRODUCT SPEC			
MATERIAL		APPLICATION SPEC	NAME		
SEE CALLOUT		WEIGHT	PLUG ASSEMBLY, 2 X 8 INLINE, MALE WITH MOUNTING EARS		
		CUSTOMER DRAWING	SIZE	CAGE CODE	DRAWING NO
			A2	00779	1438170
			SCALE	SHEET	REV
			2:1	1	A3