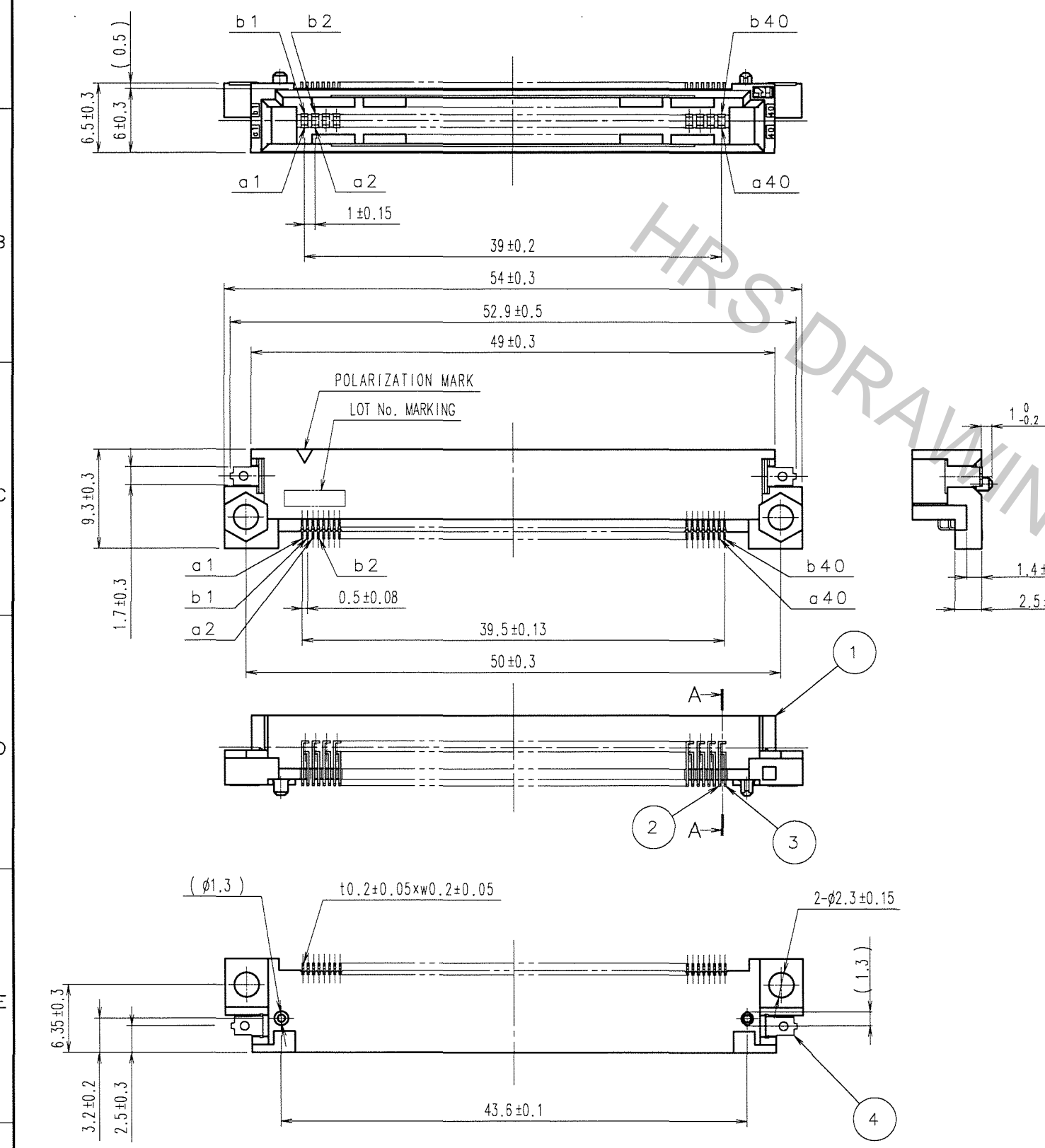
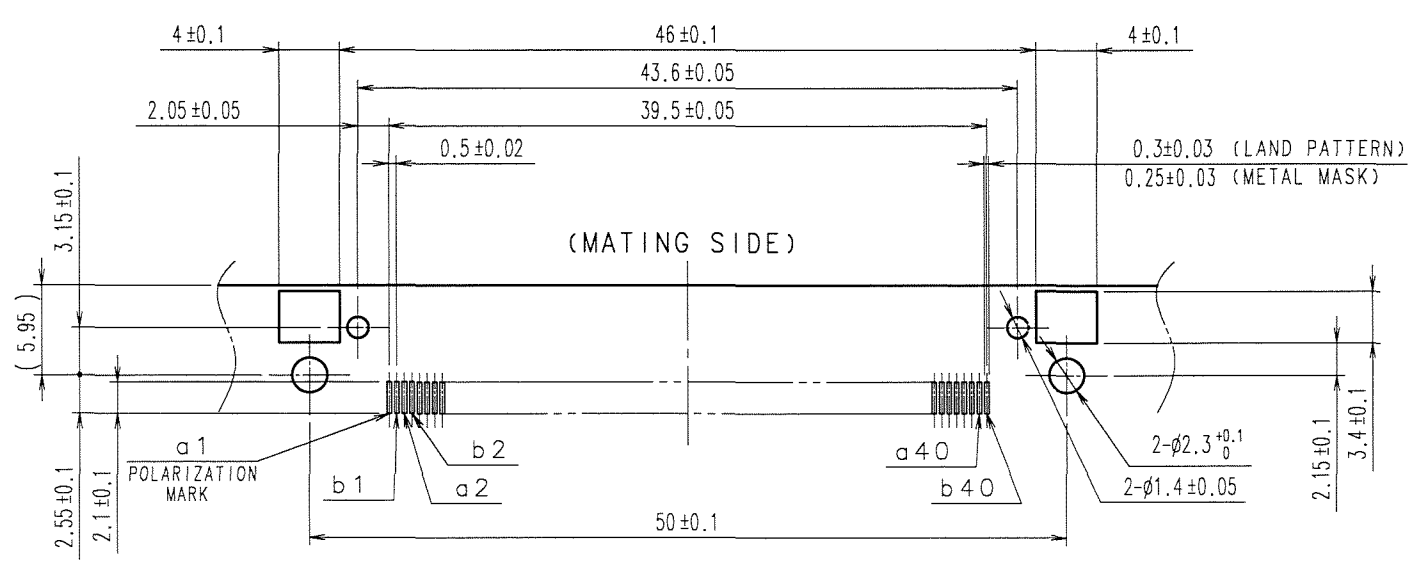


Apr.1.2017 Copyright 2017 HIROSE ELECTRIC CO., LTD. All Rights Reserved.

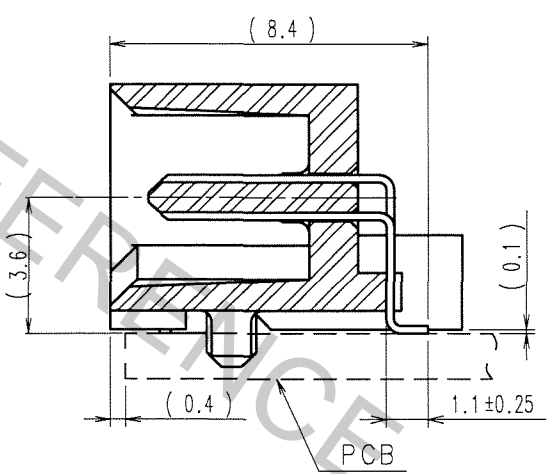
COUNT	DESCRIPTION OF REVISIONS	BY	CHKD	DATE	COUNT	DESCRIPTION OF REVISIONS	BY	CHKD	DATE
△					△				
△					△				
△					△				



RECOMMENDED LAND PATTERN DIMENSION OF PCB(MOUNTING SIDE)



A-A (5:1)



NOTES 1. LEAD CO-PLANARITY INCLUDING REINFORCED METAL FITTINGS TO BE 0.1 MAX.
 2. NOTE THAT THE REFERENCE TIGHTENING TORQUE IS 0.15 N · m.
 3. THE DIMENSIONS IN PARENTHESES ARE FOR REFERENCE.

4	BRASS	TIN-PLATING	2, 3	BRASS	CONTACT AREA: GOLD 0.3μ m min.
1	POLYAMIDE	BEIGE UL94V-0			LEAD AREA: TIN-PLATING 1μ m min.
					UNDER PLATING: NICKEL 1μ m min.
NO.	MATERIAL	FINISH, REMARKS	NO.	MATERIAL	FINISH, REMARKS
CODE NO. (OLD) CL		DRAWN K. Doi	DESIGNED K. Doi	CHECKED K. Ozawa	APPROVED H. Okawa
		DATE '07-02-20	DATE '07-02-20	DATE '07-02-20	DATE '07-02-20
SCALE 2 : 1		DRAWING NO. EDC3-151514-22		PART NO. (PROVISIONAL NAME) FX5-80P-SH(72)	
UNITS mm		HRS HIROSE ELECTRIC CO., LTD.		CODE NO. CL575-0009-9-72	1/1

TO