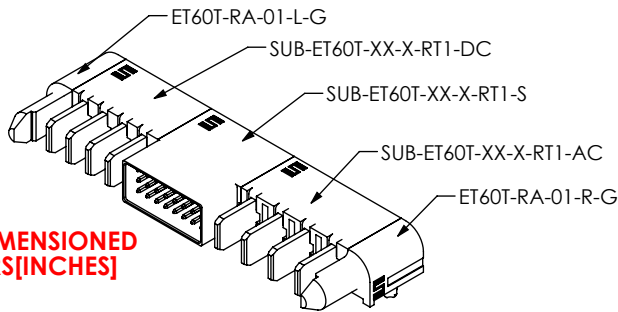


DO NOT SCALE FROM THIS PRINT



DESIGNED & DIMENSIONED IN MILLIMETERS [INCHES]

POWER OPTION (LEFT)

- AXX: AC POWER
- DXX: DC POWER
- *-SXX: SPLIT POWER
- 000: NO POWER (SEE NOTE 5)

ROWS

- 0: NO SIGNAL
- 3: 3 ROWS
- 5: 5 ROWS

SIGNAL POS PER ROW

- 00: NO SIGNAL
- XX: SEE NOTE 6

POWER OPTION (RIGHT)

- AXX: AC POWER
- DXX: DC POWER
- *-SXX: SPLIT POWER
- 000: NO POWER (SEE NOTE 5)

OPTIONS

- H: HOT SWAP (NOT AVAILABLE WITH -SXX) (LEAVE BLANK FOR NO HOT SWAP)
- GUIDE POST (MUST CHOOSE ONE)
 - *-T: TOP
 - S: SIDE
- TAIL
 - R1: FOR .062" PCB
 - *-R2: FOR .093" PCB
 - **-RP: PRESS FIT (SIGNAL ROW MUST BE -5)

PLATING SPECIFICATION

- L: 10 μm SELECTIVE GOLD IN CONTACT AREA, MATTE TIN ON TAIL (NOT AVAILABLE FOR 5 ROWS)
- S: 30 μm SELECTIVE GOLD IN CONTACT AREA, MATTE TIN ON TAIL

- (* = NOT TOOLED)
- (** = NOT RELEASED)

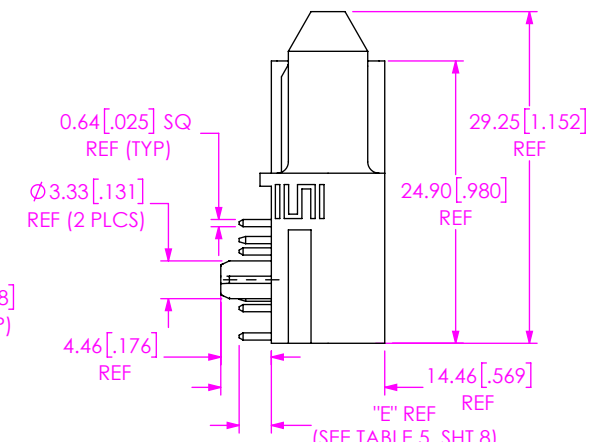
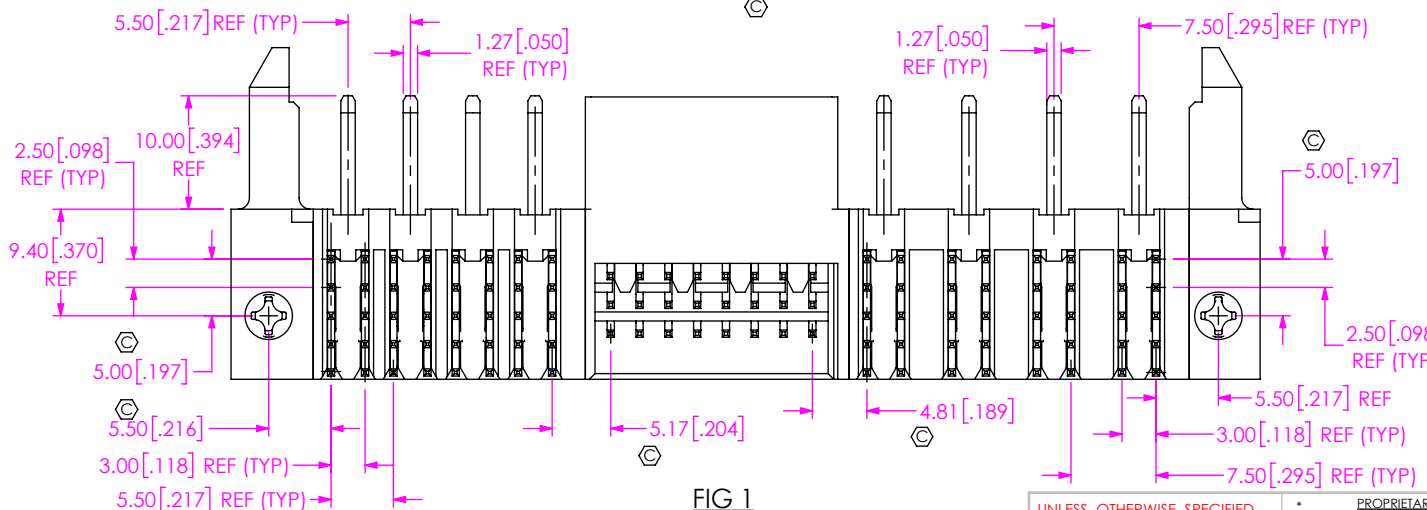
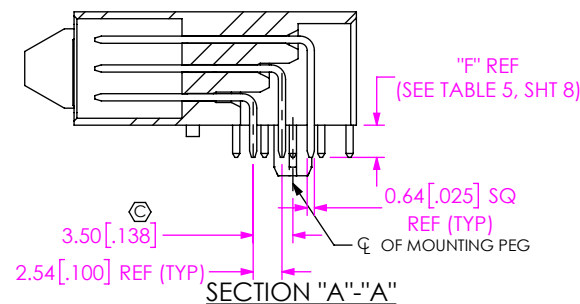
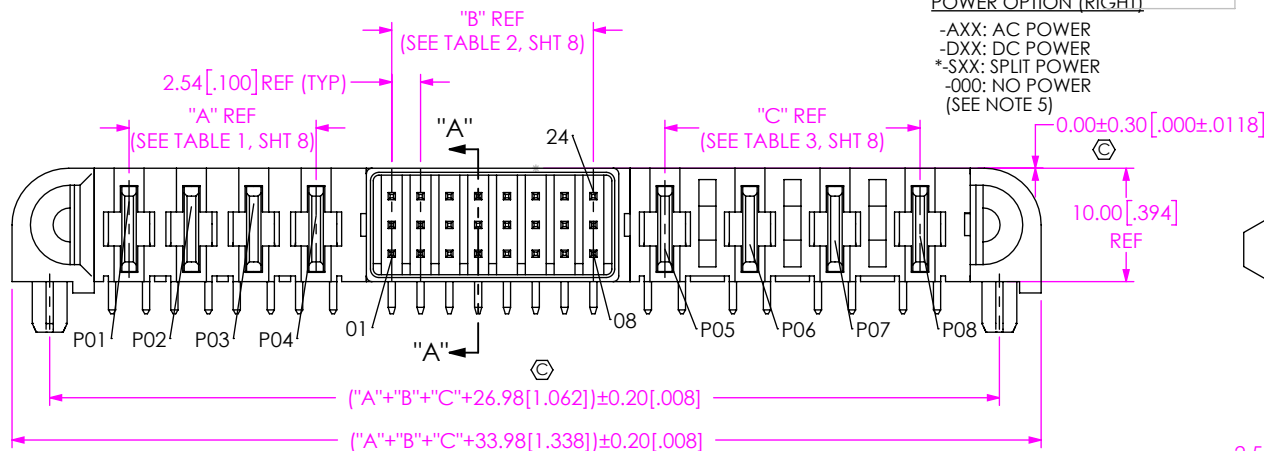


FIG 1
ET60T-D04-3-08-A04-X-R1-S SHOWN

- NOTES:
1. Ⓢ REPRESENTS A CRITICAL DIMENSION.
 2. MINIMUM PUSHOUT FORCE: 3.0 LBS FOR SIGNAL & POWER PINS.
 3. SEE PRODUCT SPECIFICATION FOR CONNECTOR PRESS FIT INSTRUCTIONS AND REQUIRED FIXTURES.
 4. ASSEMBLIES TO BE PACKAGED IN TRAYS.
 5. -AC POWER: *-01, *-02, *-03, *-04, *-05, *-06; -DC POWER: *-01, *-02, *-03, *-04, *-05, *-06, *-07, *-08, *-09, *-10. (* = NOT TOOLED)
 6. -3 ROWS: *-02, *-04, *-06, *-08, *-10, *-12; -5 ROWS: *-01, *-02, *-03, *-04, *-05, *-06, *-07, *-08 (* = NOT TOOLED)

UNLESS OTHERWISE SPECIFIED, DIMENSIONS ARE IN MILLIMETERS.
TOLERANCES ARE:
DECIMALS ANGLES
X.X: ±0.3 [.01]
X.XX: ±0.13 [.005]
X.XXX: ±0.051 [.0020]

PROPRIETARY NOTE
THIS DOCUMENT CONTAINS CONFIDENTIAL AND PROPRIETARY INFORMATION AND ALL DESIGN, MANUFACTURING, REPRODUCTION, USE, PATENT RIGHTS AND SALES RIGHTS ARE EXPRESSLY RESERVED BY SAMTEC, INC. THIS DOCUMENT SHALL NOT BE DISCLOSED, IN WHOLE OR PART, TO ANY UNAUTHORIZED PERSON OR ENTITY NOR REPRODUCED, TRANSFERRED OR INCORPORATED IN ANY OTHER PROJECT IN ANY MANNER WITHOUT THE EXPRESS WRITTEN CONSENT OF SAMTEC, INC.

MATERIAL: DO NOT SCALE DRAWING SHEET SCALE: 3:2
INSULATOR: LCP, COLOR: BLACK
SIGNAL TERMINAL: COPPER ALLOY
POWER TERMINAL: COPPER ALLOY

c:\enterprise\vault\DWG\MISC\MKTG\ET60T-XXX-X-XX-XXX-X-RX-X-X-MKT.SLDDRW

samtec
520 PARK EAST BLVD., NEW ALBANY, IN 47150
PHONE: 812-944-6733 FAX: 812-948-5047
e-Mail: info@SAMTEC.com code 53322

DESCRIPTION:
ET60 RA POWER/SIGNAL HEADER

DWG. NO.
ET60T-XXX-X-XX-XXX-X-RX-X-X

BY: JOE Z 07/29/2016 SHEET 1 OF 10

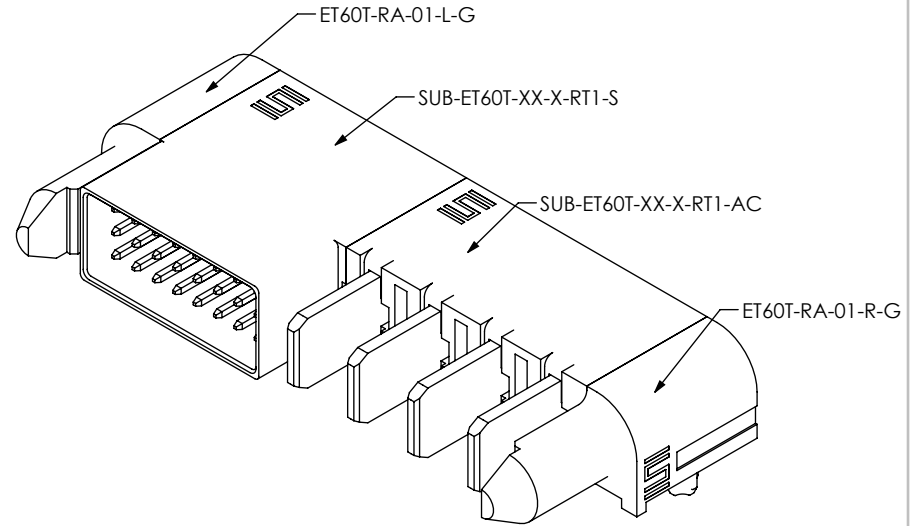
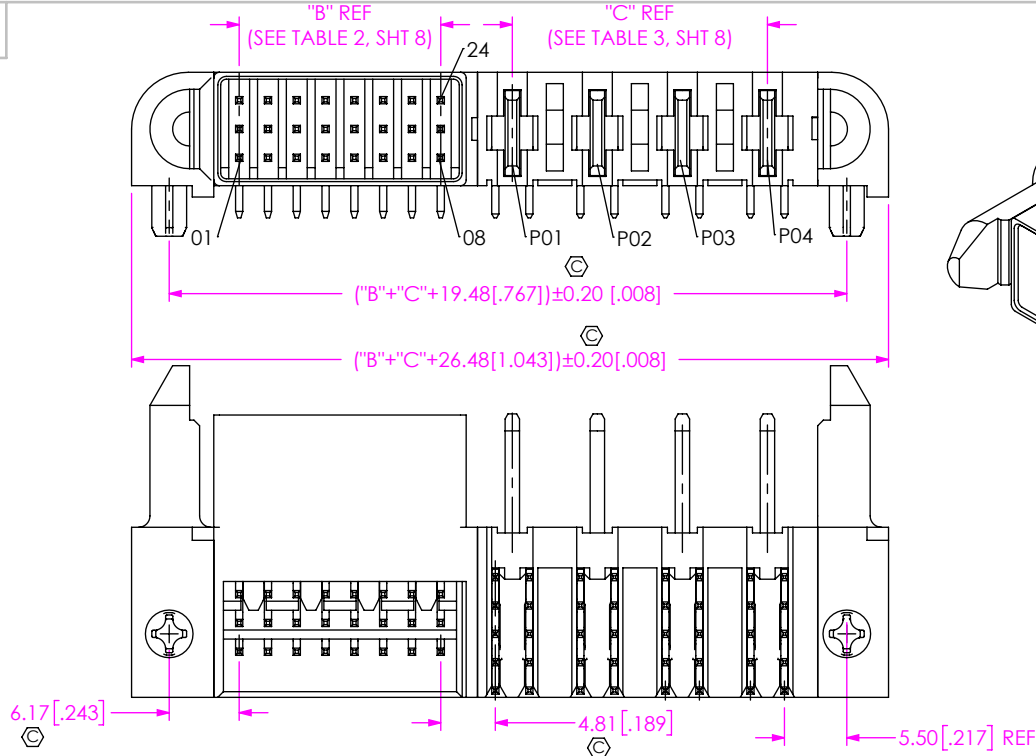


FIG 2
ET60T-000-3-08-A04-X-R1-S SHOWN
(DIFFERENT AS SHOWN, OTHERWISE SAME AS FIG 1)

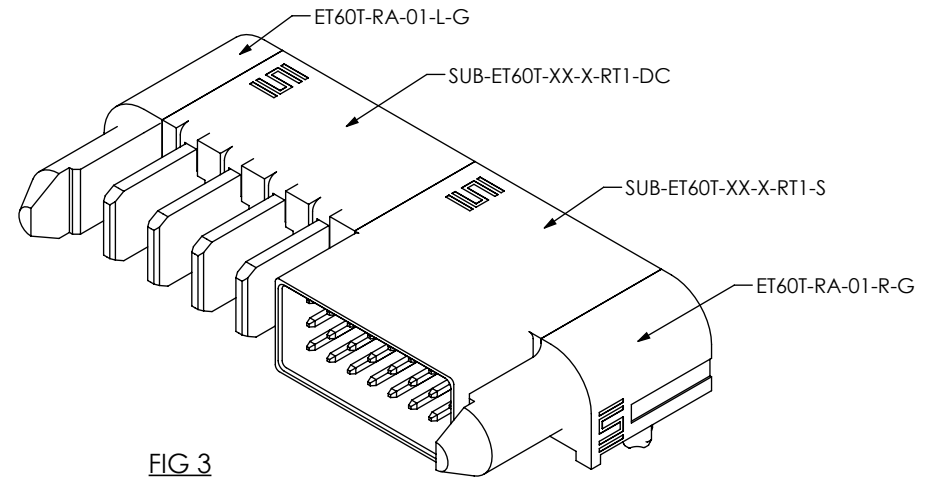
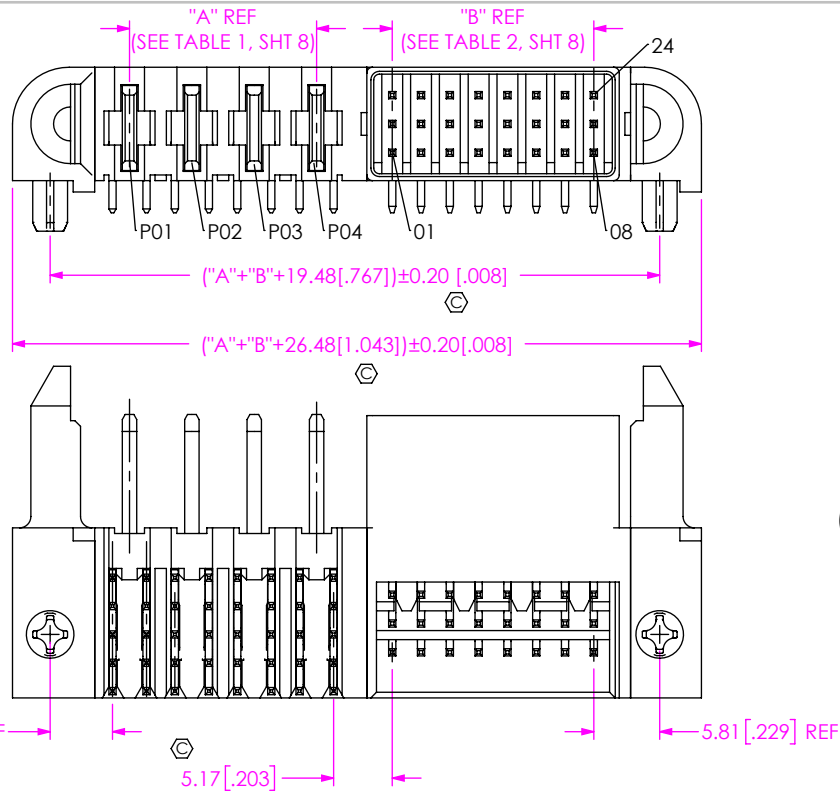


FIG 3
ET60T-D04-3-08-000-X-R1-S SHOWN
(DIFFERENT AS SHOWN, OTHERWISE SAME AS FIG 1)

PROPRIETARY NOTE
THIS DOCUMENT CONTAINS CONFIDENTIAL AND PROPRIETARY INFORMATION AND ALL DESIGN, MANUFACTURING, REPRODUCTION, USE, PATENT RIGHTS AND SALES RIGHTS ARE EXPRESSLY RESERVED BY SAMTEC, INC. THIS DOCUMENT SHALL NOT BE DISCLOSED, IN WHOLE OR PART, TO ANY UNAUTHORIZED PERSON OR ENTITY NOR REPRODUCED, TRANSFERRED OR INCORPORATED IN ANY OTHER PROJECT IN ANY MANNER WITHOUT THE EXPRESS WRITTEN CONSENT OF SAMTEC, INC.



520 PARK EAST BLVD. NEW ALBANY, IN 47150
PHONE: 812-944-6733 FAX: 812-948-5047
e-Mail: info@SAMTEC.com code 55322

SHEET SCALE: 3:2

DESCRIPTION:
ET60 RA POWER/SIGNAL HEADER

DWG. NO.
ET60T-XXX-X-XX-XXX-X-RX-X-X

BY: JOE Z 07/29/2016 SHEET 2 OF 10

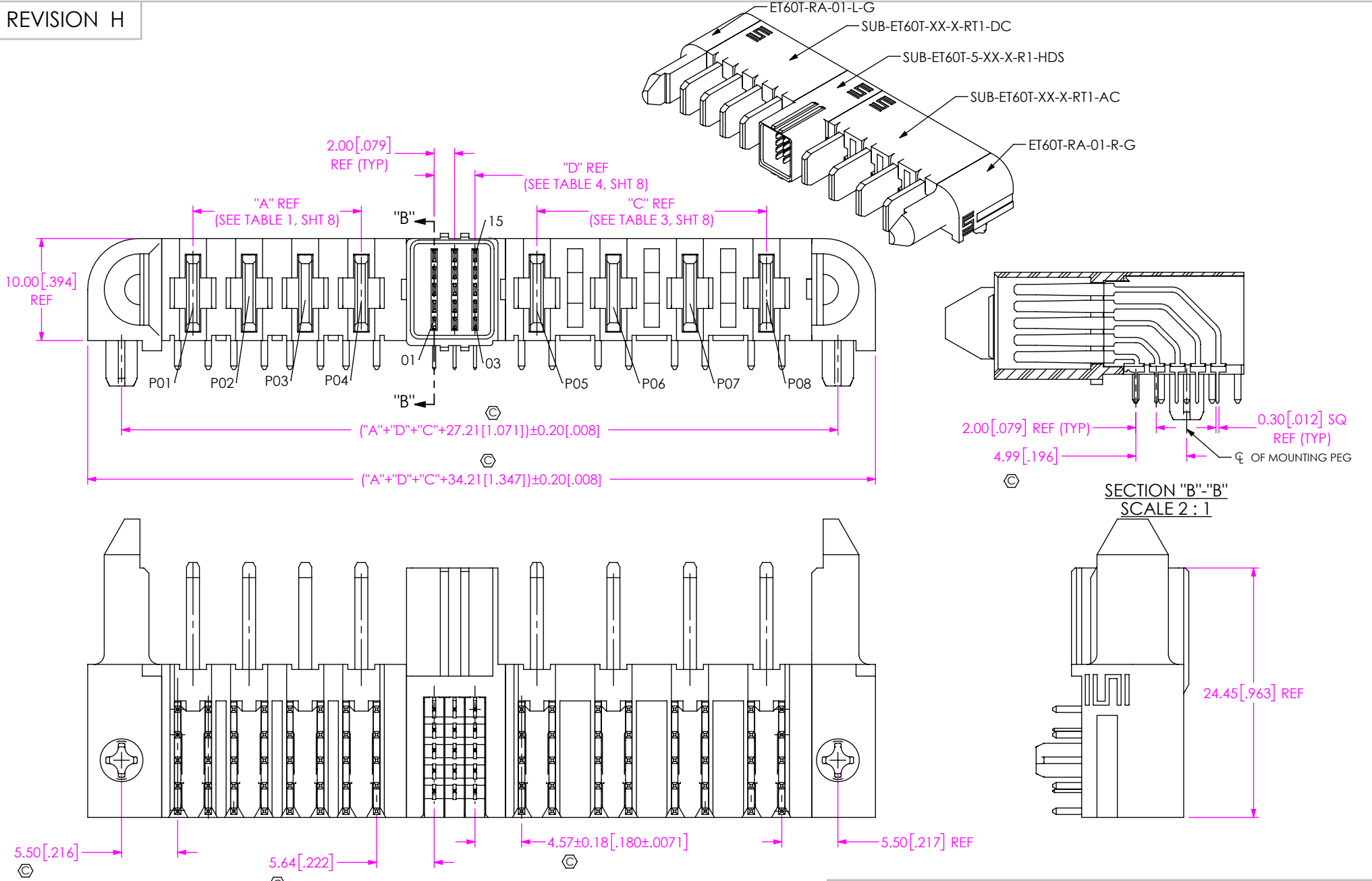


FIG 4
 ET60T-D04-5-03-A04-X-R1-S SHOWN
 (DIFFERENT AS SHOWN, OTHERWISE SAME AS FIG 1)

PROPRIETARY NOTE
 THIS DOCUMENT CONTAINS CONFIDENTIAL AND PROPRIETARY INFORMATION AND ALL DESIGN, MANUFACTURING, REPRODUCTION, USE, PATENT RIGHTS AND SALES RIGHTS ARE EXPRESSLY RESERVED BY SAMTEC, INC. THIS DOCUMENT SHALL NOT BE DISCLOSED, IN WHOLE OR PART, TO ANY UNAUTHORIZED PERSON OR ENTITY NOR REPRODUCED, TRANSFERRED OR INCORPORATED IN ANY OTHER PROJECT IN ANY MANNER WITHOUT THE EXPRESS WRITTEN CONSENT OF SAMTEC, INC.



520 PARK EAST BLVD., NEW ALBANY, IN 47150
 PHONE: 812-944-6733 FAX: 812-948-5047
 e-Mail info@SAMTEC.com code 55322

SHEET SCALE: 3:2

DESCRIPTION:
 ET60 RA POWER/SIGNAL HEADER

DWG. NO.
 ET60T-XXX-X-XX-XXX-X-RX-X-X

BY: JOE Z 07/29/2016 SHEET 3 OF 10

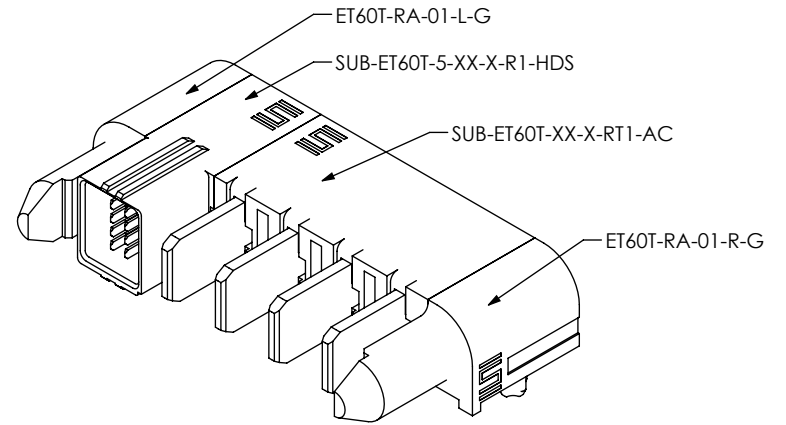
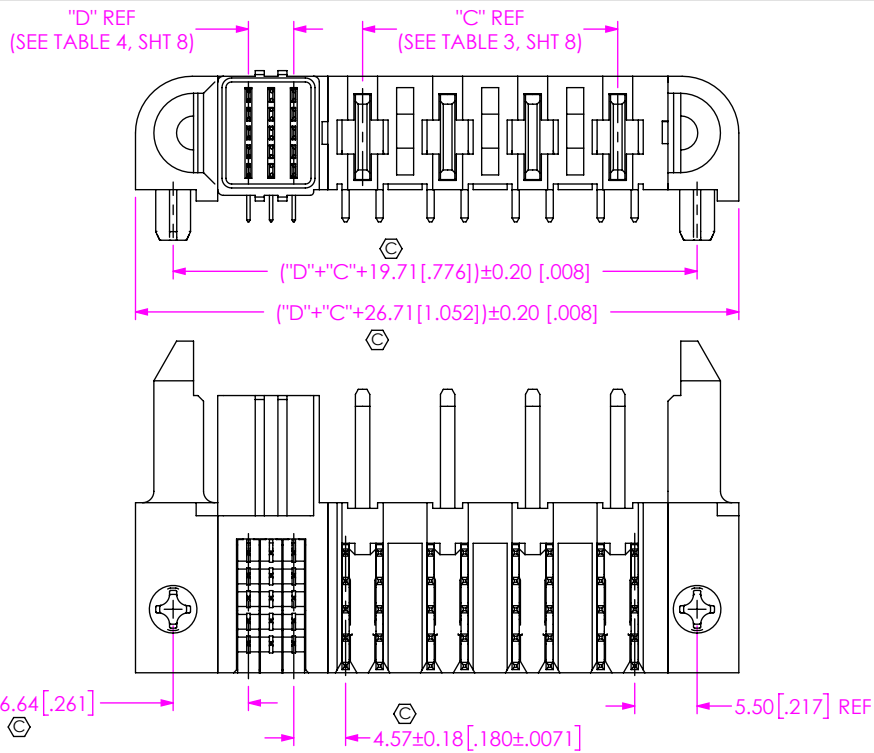


FIG 5
ET60T-000-5-03-A04-X-R1-S SHOWN
(DIFFERENT AS SHOWN, OTHERWISE SAME AS FIG 4)

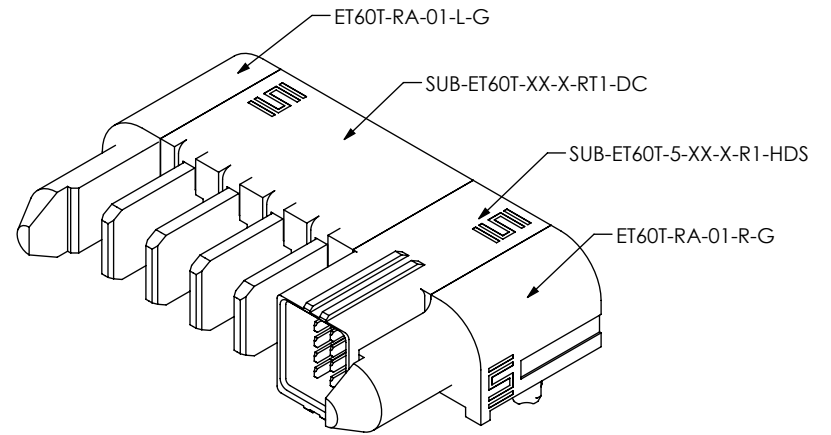
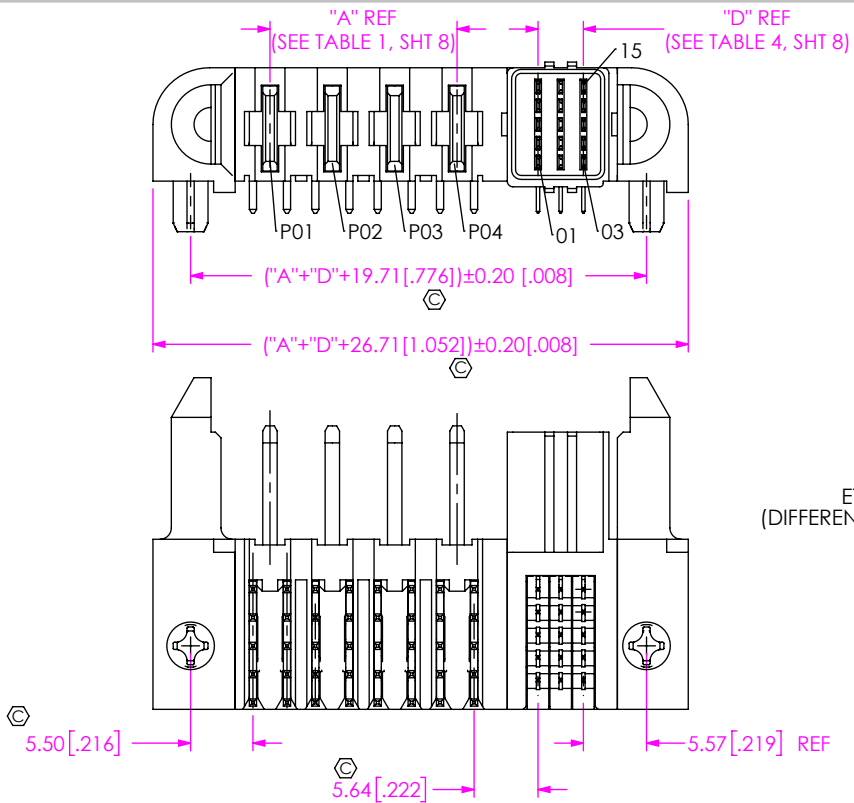


FIG 6
ET60T-D04-5-03-000-X-R1-S SHOWN
(DIFFERENT AS SHOWN, OTHERWISE SAME AS FIG 4)

PROPRIETARY NOTE
THIS DOCUMENT CONTAINS CONFIDENTIAL AND PROPRIETARY INFORMATION AND ALL DESIGN, MANUFACTURING, REPRODUCTION, USE, PATENT RIGHTS AND SALES RIGHTS ARE EXPRESSLY RESERVED BY SAMTEC, INC. THIS DOCUMENT SHALL NOT BE DISCLOSED, IN WHOLE OR PART, TO ANY UNAUTHORIZED PERSON OR ENTITY NOR REPRODUCED, TRANSFERRED OR INCORPORATED IN ANY OTHER PROJECT IN ANY MANNER WITHOUT THE EXPRESS WRITTEN CONSENT OF SAMTEC, INC.

SHEET SCALE: 3:2

samtec

520 PARK EAST BLVD, NEW ALBANY, IN 47150
PHONE: 812-944-6733 FAX: 812-948-5047
e-Mail: info@SAMTEC.com code 53322

DESCRIPTION:
ET60 RA POWER/SIGNAL HEADER

DWG. NO.
ET60T-XXX-X-XX-XXX-X-RX-X-X

BY: JOE Z 07/29/2016 SHEET 4 OF 10

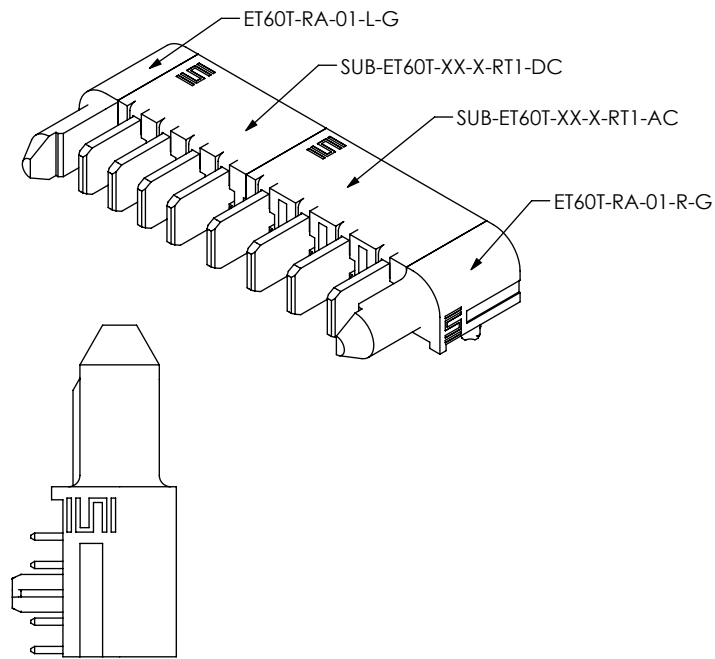
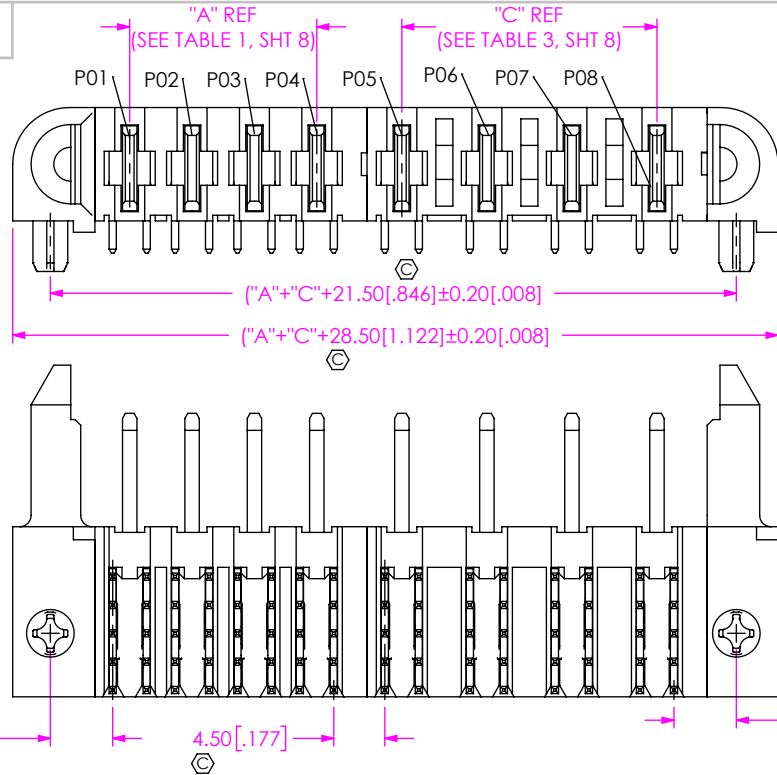


FIG 7
ET60T-D04-0-00-A04-X-R1-S SHOWN
(DIFFERENT AS SHOWN, OTHERWISE SAME AS FIG 1)

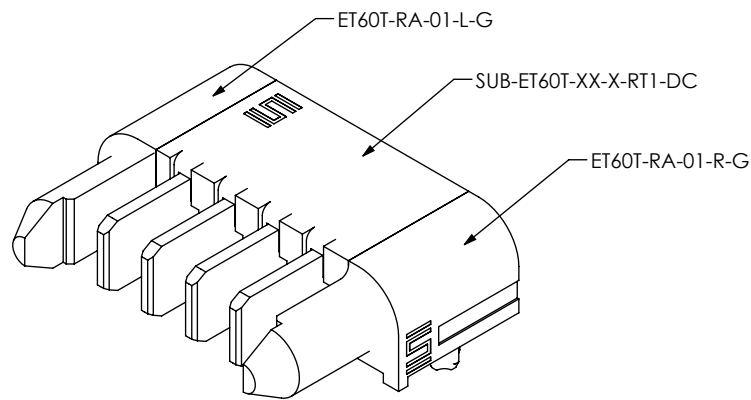
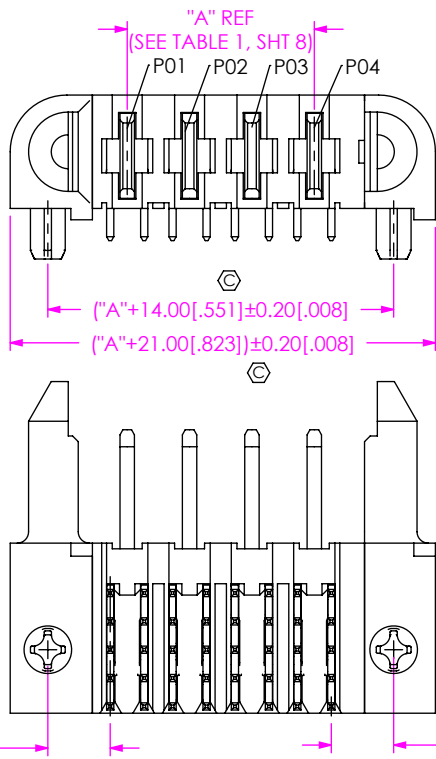


FIG 8
ET60T-D04-0-00-000-X-R1-S SHOWN
(DIFFERENT AS SHOWN, OTHERWISE SAME AS FIG 1)

PROPRIETARY NOTE
THIS DOCUMENT CONTAINS CONFIDENTIAL AND PROPRIETARY INFORMATION AND ALL DESIGN, MANUFACTURING, REPRODUCTION, USE, PATENT RIGHTS AND SALES RIGHTS ARE EXPRESSLY RESERVED BY SAMTEC, INC. THIS DOCUMENT SHALL NOT BE DISCLOSED, IN WHOLE OR PART, TO ANY UNAUTHORIZED PERSON OR ENTITY NOR REPRODUCED, TRANSFERRED OR INCORPORATED IN ANY OTHER PROJECT IN ANY MANNER WITHOUT THE EXPRESS WRITTEN CONSENT OF SAMTEC, INC.



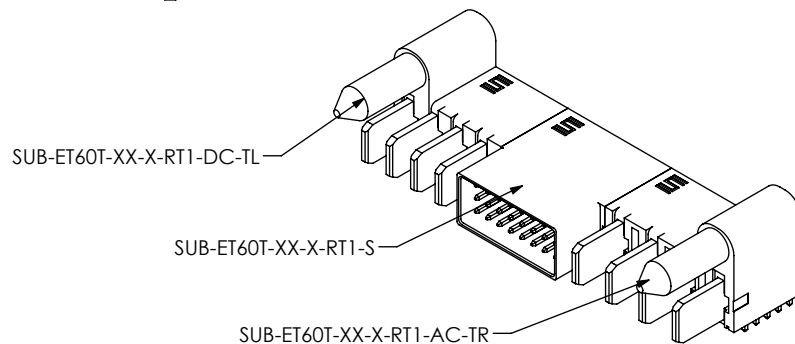
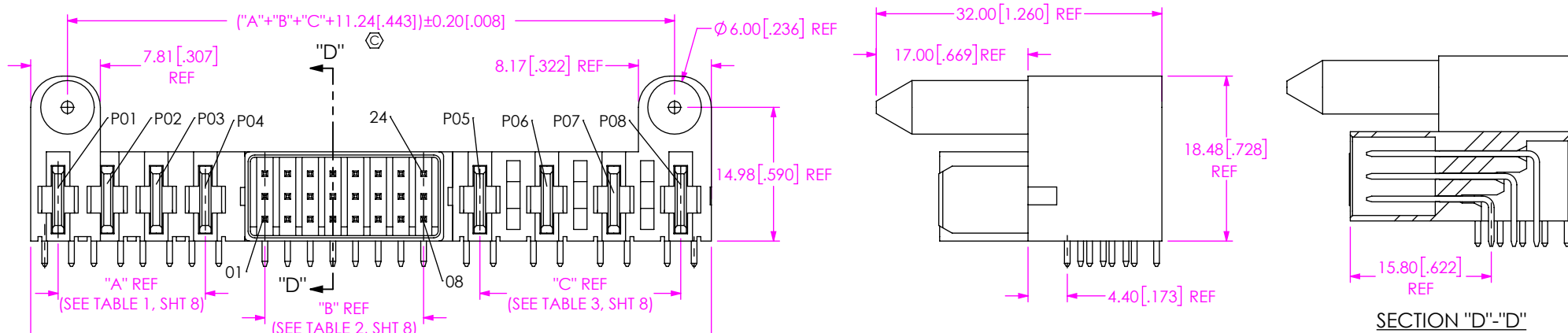
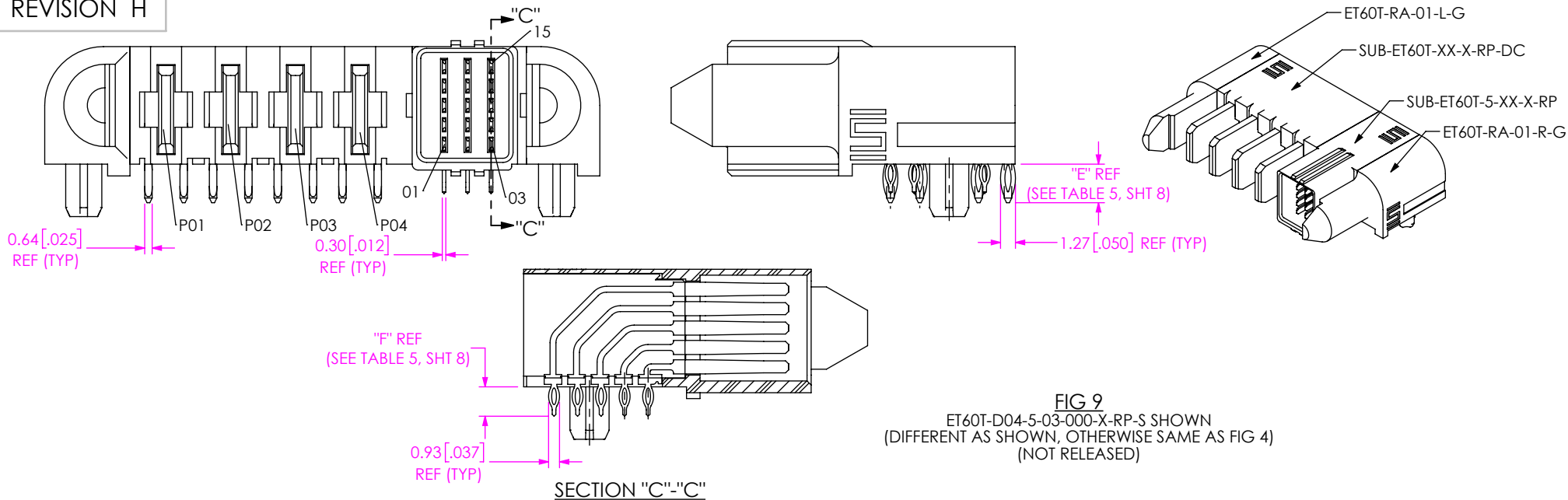
520 PARK EAST BLVD., NEW ALBANY, IN 47150
PHONE: 812-944-6733 FAX: 812-948-5047
e-Mail: info@SAMTEC.com code 55322

SHEET SCALE: 3:2

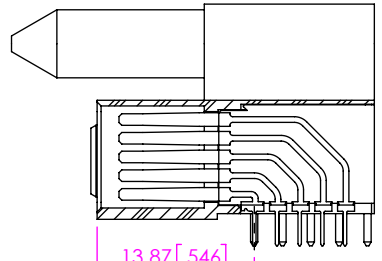
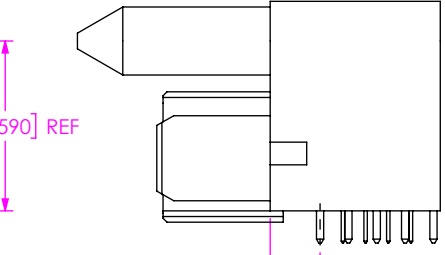
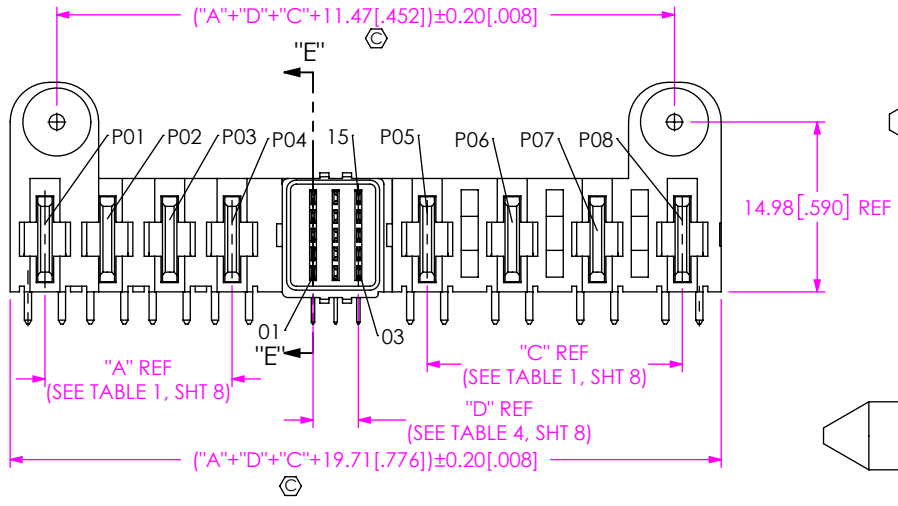
DESCRIPTION:
ET60 RA POWER/SIGNAL HEADER

DWG. NO.
ET60T-XXX-X-XX-XXX-X-RX-X-X

BY: JOE Z 07/29/2016 SHEET 5 OF 10



<p>PROPRIETARY NOTE</p> <p>THIS DOCUMENT CONTAINS CONFIDENTIAL AND PROPRIETARY INFORMATION AND ALL DESIGN, MANUFACTURING, REPRODUCTION, USE, PATENT RIGHTS AND SALES RIGHTS ARE EXPRESSLY RESERVED BY SAMTEC, INC. THIS DOCUMENT SHALL NOT BE DISCLOSED, IN WHOLE OR PART, TO ANY UNAUTHORIZED PERSON OR ENTITY NOR REPRODUCED, TRANSFERRED OR INCORPORATED IN ANY OTHER PROJECT IN ANY MANNER WITHOUT THE EXPRESS WRITTEN CONSENT OF SAMTEC, INC.</p>	<p>samtec</p> <p>520 PARK EAST BLVD, NEW ALBANY, IN 47150 PHONE: 812-944-6733 FAX: 812-948-5047 e-Mail: info@SAMTEC.com code 53322</p>		
	<p>SHEET SCALE: 3:2</p>	<p>DESCRIPTION: ET60 RA POWER/SIGNAL HEADER</p> <p>DWG. NO. ET60T-XXX-X-XX-XXX-X-RX-X-X</p>	
<p>BY: JOE Z</p>		<p>07/29/2016</p>	<p>SHEET 6 OF 10</p>



SECTION "E"-"E"

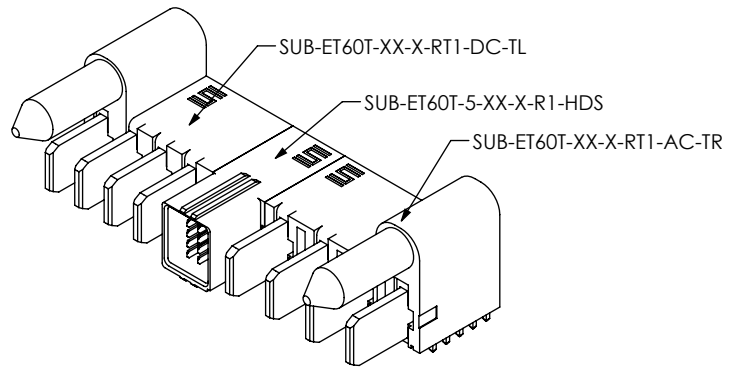
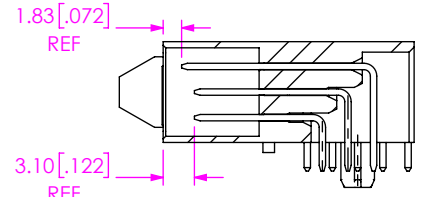
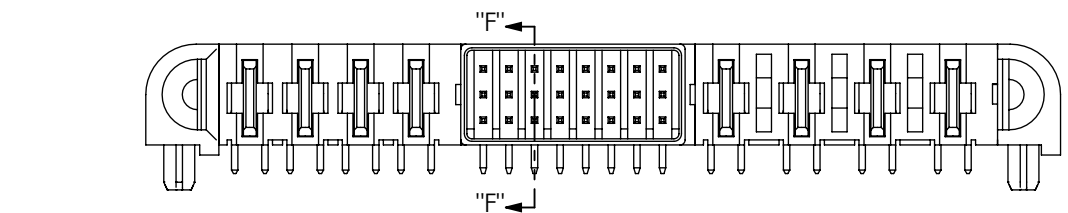


FIG 11
ET60T-D04-5-03-A04-X-R1-T SHOWN
(DIFFERENT AS SHOWN, OTHERWISE SAME AS FIG 4)
(NOT TOOLED)



SECTION "F"-"F"

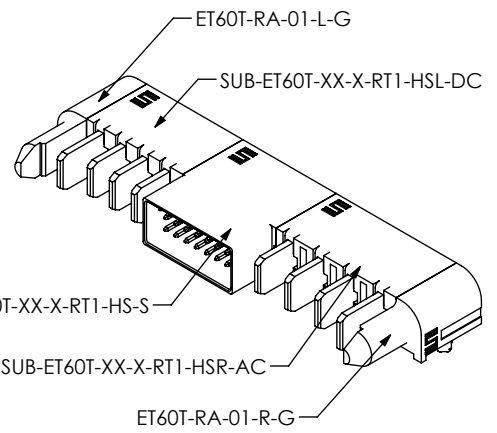
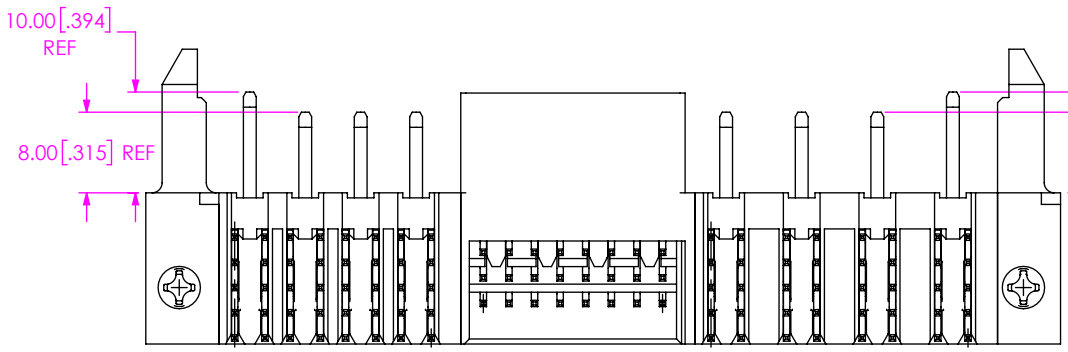


FIG 12
ET60T-D04-3-08-A04-X-R1-S-H SHOWN
(DIFFERENT AS SHOWN, OTHERWISE SAME AS FIG 1)

<p>PROPRIETARY NOTE</p> <p>THIS DOCUMENT CONTAINS CONFIDENTIAL AND PROPRIETARY INFORMATION AND ALL DESIGN, MANUFACTURING, REPRODUCTION, USE, PATENT RIGHTS AND SALES RIGHTS ARE EXPRESSLY RESERVED BY SAMTEC, INC. THIS DOCUMENT SHALL NOT BE DISCLOSED, IN WHOLE OR PART, TO ANY UNAUTHORIZED PERSON OR ENTITY NOR REPRODUCED, TRANSFERRED OR INCORPORATED IN ANY OTHER PROJECT IN ANY MANNER WITHOUT THE EXPRESS WRITTEN CONSENT OF SAMTEC, INC.</p>		
	<p>520 PARK EAST BLVD., NEW ALBANY, IN 47150 PHONE: 812-944-6733 FAX: 812-948-5047 e-Mail: info@SAMTEC.com code 55322</p>	
	<p>DESCRIPTION: ET60 RA POWER/SIGNAL HEADER</p>	<p>DWG. NO. ET60T-XXX-X-XX-XXX-X-RX-X-X</p>

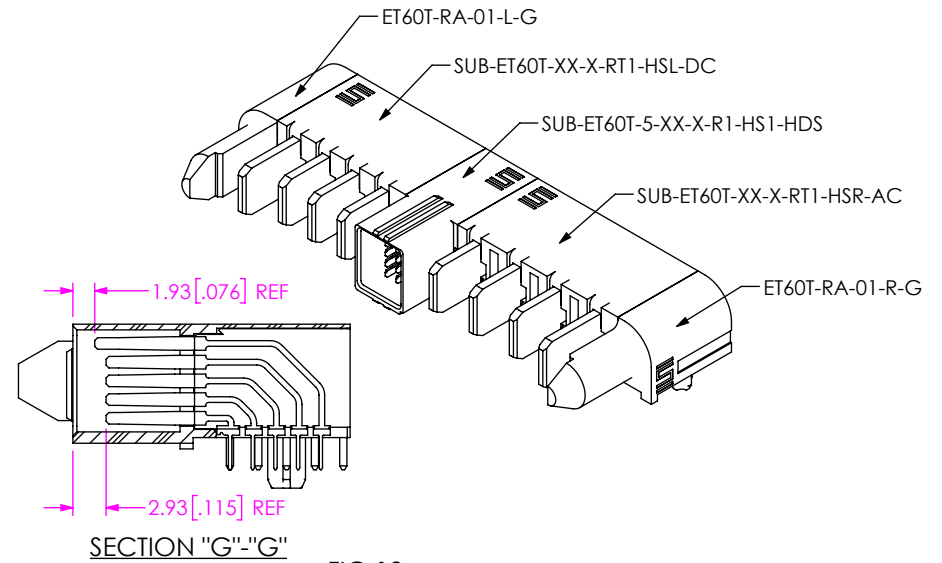
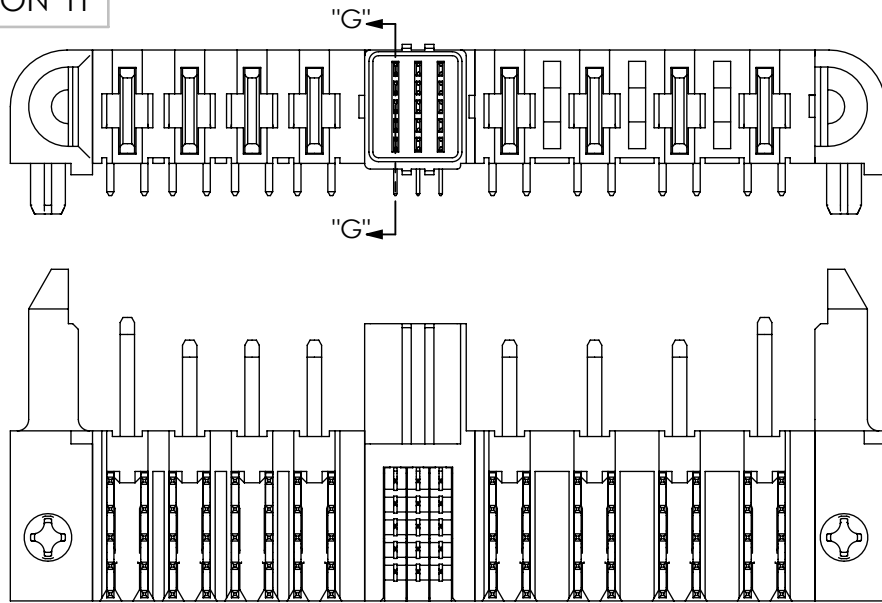


FIG 13
ET60T-D04-5-03-A04-X-R1-S-H SHOWN
(DIFFERENT AS SHOWN, OTHERWISE SAME AS FIG 12)
(NOT RELEASED)

TABLE 1
(SEE NOTE 5)

POWER POS (LEFT)	"A"	
	DC POWER	AC POWER
*-01	N/A	N/A
-02	5.50 [.217]	7.50 [.295]
-03	11.00 [.433]	15.00 [.591]
-04	16.50 [.650]	22.50 [.886]
-05	22.00 [.866]	30.00 [1.181]
-06	27.50 [1.083]	37.50 [1.476]
-07	33.00 [1.299]	/
-08	38.50 [1.516]	/
-09	44.00 [1.732]	/
-10	49.50 [1.949]	/

(* = NOT TOOLED)

TABLE 2
(SEE NOTE 6)

SIGNAL POS (-3 ROWS)	"B"
*-02	2.54 [.100]
*-04	7.62 [.300]
*-06	12.70 [.500]
-08	17.78 [.700]
*-10	22.86 [.900]
*-12	27.94 [1.100]

(* = NOT TOOLED)

TABLE 5

TAIL	"E"	"F"
-R1	2.84 [.112]	2.84 [.112]
* -R2	3.61 [.142]	3.41 [.134]
** -RP	3.28 [.129]	2.50 [.098]

(* = NOT TOOLED)

(** = NOT RELEASED)

TABLE 3
(SEE NOTE 5)

POWER POS (RIGHT)	"C"	
	DC POWER	AC POWER
*-01	N/A	N/A
-02	5.50 [.217]	7.50 [.295]
-03	11.00 [.433]	15.00 [.591]
-04	16.50 [.650]	22.50 [.886]
-05	22.00 [.866]	30.00 [1.181]
-06	27.50 [1.083]	37.50 [1.476]
-07	33.00 [1.299]	/
-08	38.50 [1.516]	/
-09	44.00 [1.732]	/
-10	49.50 [1.949]	/

(* = NOT TOOLED)

TABLE 4
(SEE NOTE 6)

SIGNAL POS (-5 ROWS)	"D"
-01	N/A
-02	2.00 [.079]
-03	4.00 [.157]
-04	6.00 [.236]
-05	8.00 [.315]
-06	10.00 [.394]
-07	12.00 [.472]
-08	14.00 [.551]

PROPRIETARY NOTE

THIS DOCUMENT CONTAINS CONFIDENTIAL AND PROPRIETARY INFORMATION AND ALL DESIGN, MANUFACTURING, REPRODUCTION, USE, PATENT RIGHTS AND SALES RIGHTS ARE EXPRESSLY RESERVED BY SAMTEC, INC. THIS DOCUMENT SHALL NOT BE DISCLOSED, IN WHOLE OR PART, TO ANY UNAUTHORIZED PERSON OR ENTITY NOR REPRODUCED, TRANSFERRED OR INCORPORATED IN ANY OTHER PROJECT IN ANY MANNER WITHOUT THE EXPRESS WRITTEN CONSENT OF SAMTEC, INC.



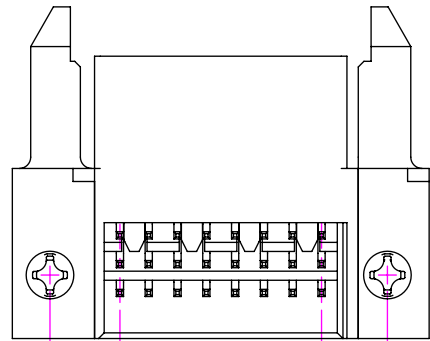
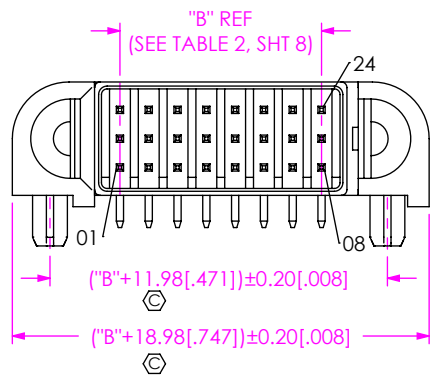
520 PARK EAST BLVD, NEW ALBANY, IN 47150
PHONE: 812-944-6733 FAX: 812-948-5047
e-Mail info@SAMTEC.com code 53322

SHEET SCALE: 3:2

DESCRIPTION:
ET60 RA POWER/SIGNAL HEADER

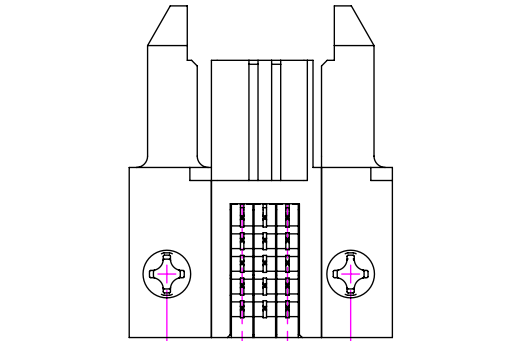
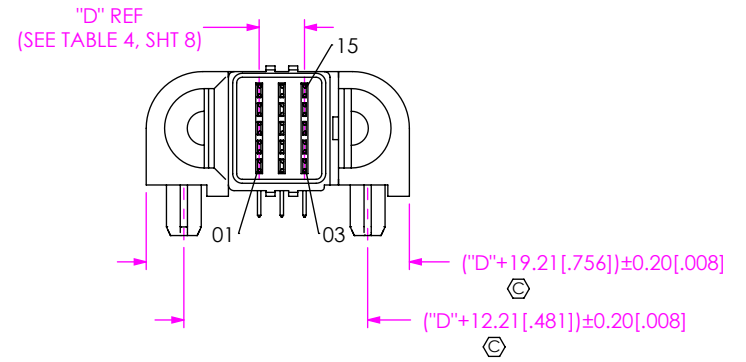
DWG. NO.
ET60T-XXX-X-XX-XXX-X-RX-X-X

BY: JOE Z 07/29/2016 SHEET 8 OF 10



6.17[.243] 5.81[.229] REF

FIG 14
ET60T-000-3-08-000-X-R1-S SHOWN
(DIFFERENT AS SHOWN, OTHERWISE SAME AS FIG 1)



6.64[.261] 5.57[.219] REF

FIG 15
ET60T-000-5-03-000-X-R1-S SHOWN
(DIFFERENT AS SHOWN, OTHERWISE SAME AS FIG 4)

PROPRIETARY NOTE

THIS DOCUMENT CONTAINS CONFIDENTIAL AND PROPRIETARY INFORMATION AND ALL DESIGN, MANUFACTURING, REPRODUCTION, USE, PATENT RIGHTS AND SALES RIGHTS ARE EXPRESSLY RESERVED BY SAMTEC, INC. THIS DOCUMENT SHALL NOT BE DISCLOSED, IN WHOLE OR PART, TO ANY UNAUTHORIZED PERSON OR ENTITY NOR REPRODUCED, TRANSFERRED OR INCORPORATED IN ANY OTHER PROJECT IN ANY MANNER WITHOUT THE EXPRESS WRITTEN CONSENT OF SAMTEC, INC.



520 PARK EAST BLVD., NEW ALBANY, IN 47150
PHONE: 812-944-6733 FAX: 812-948-5047
e-Mail: info@SAMTEC.com code 55322

SHEET SCALE: 3:2

DESCRIPTION:
ET60 RA POWER/SIGNAL HEADER

DWG. NO.
ET60T-XXX-X-XX-XXX-X-RX-X-X

BY: JOE Z 07/29/2016 SHEET 9 OF 10

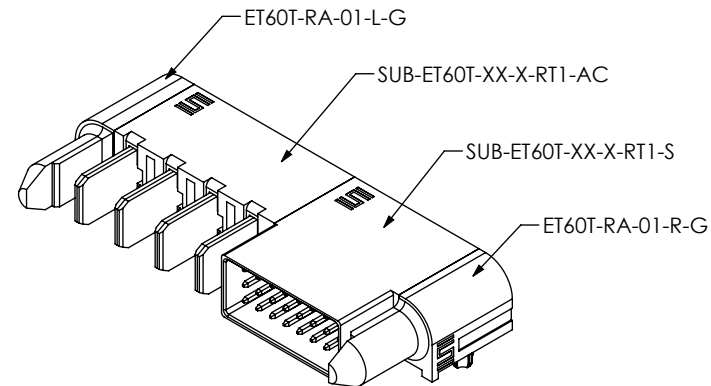
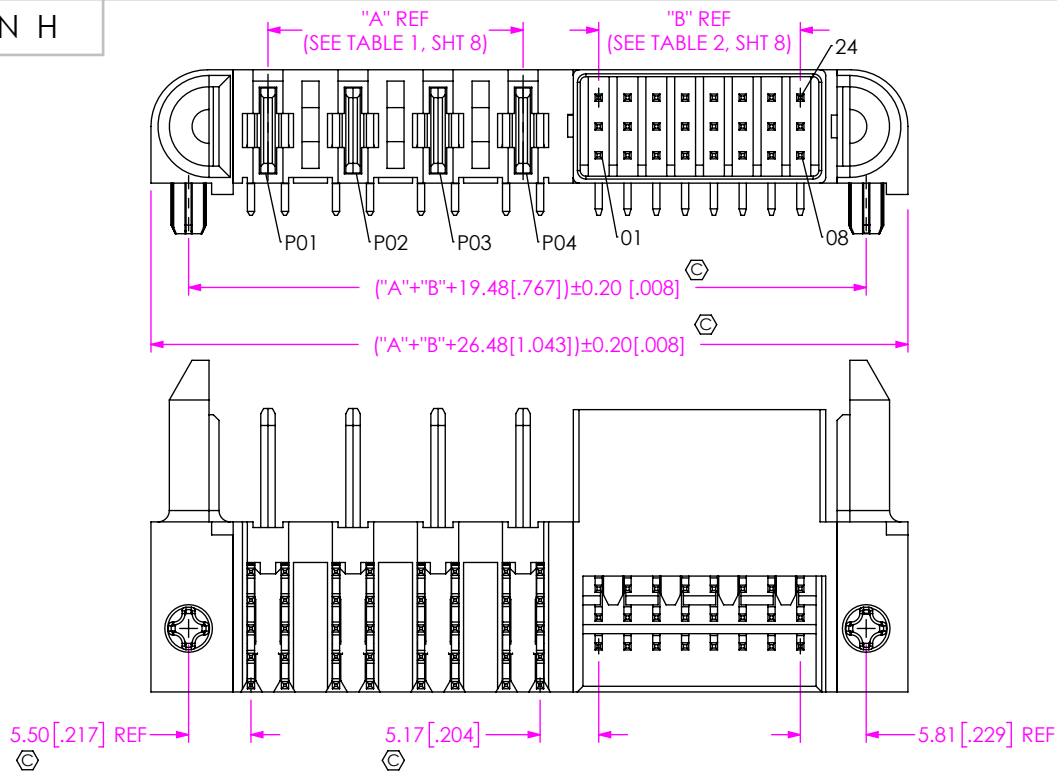


FIG 16
ET60T-A04-3-08-000-X-R1-S SHOWN
(DIFFERENT AS SHOWN, OTHERWISE SAME AS FIG 1)

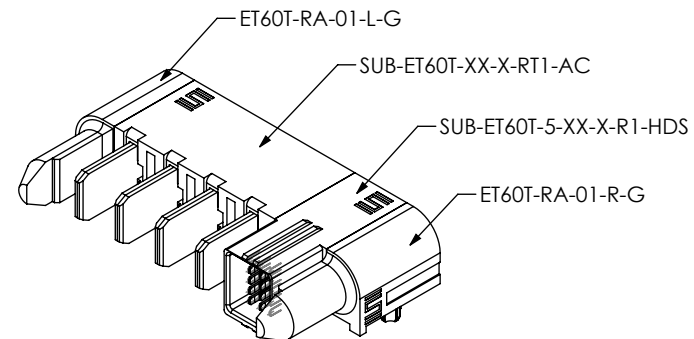
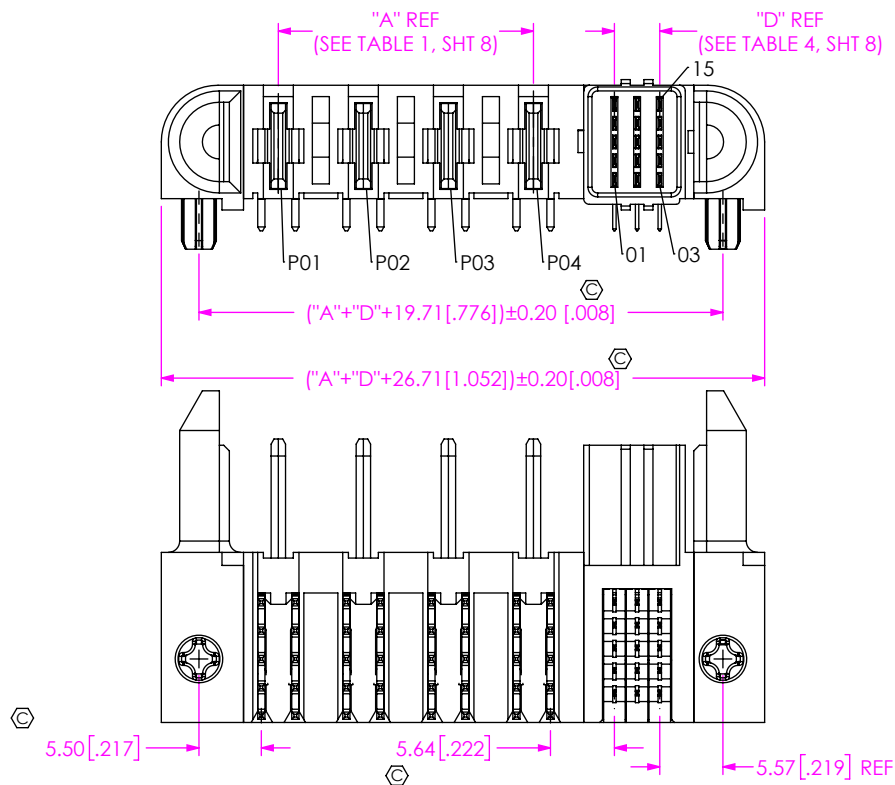


FIG 17
ET60T-A04-5-03-000-X-R1-S SHOWN
(DIFFERENT AS SHOWN, OTHERWISE SAME AS FIG 4)

<p>PROPRIETARY NOTE</p> <p>THIS DOCUMENT CONTAINS CONFIDENTIAL AND PROPRIETARY INFORMATION AND ALL DESIGN, MANUFACTURING, REPRODUCTION, USE, PATENT RIGHTS AND SALES RIGHTS ARE EXPRESSLY RESERVED BY SAMTEC, INC. THIS DOCUMENT SHALL NOT BE DISCLOSED, IN WHOLE OR PART, TO ANY UNAUTHORIZED PERSON OR ENTITY NOR REPRODUCED, TRANSFERRED OR INCORPORATED IN ANY OTHER PROJECT IN ANY MANNER WITHOUT THE EXPRESS WRITTEN CONSENT OF SAMTEC, INC.</p>	 <p>520 PARK EAST BLVD, NEW ALBANY, IN 47150 PHONE: 812-944-6733 FAX: 812-948-5047 e-Mail: info@SAMTEC.com code 55322</p>
<p>SHEET SCALE: 1:1</p>	<p>DESCRIPTION: ET60 RA POWER/SIGNAL HEADER</p>
<p>DWG. NO. ET60T-XXX-X-XX-XXX-X-RX-X-X</p>	<p>BY: JOE Z 07/29/2016 SHEET 10 OF 10</p>