

CODE	DIM "M" MATING LENGTH	CONTACT TYPE
E	0.220 [5.59]	SIGNAL
R	0.270 [6.86]	SIGNAL
S	0.270 [6.86]	SIGNAL
T	0.270 [6.86]	SIGNAL
U	0.270 [6.86]	SIGNAL
PA	N/A [N/A]	POWER
HA	N/A [N/A]	HOLD-DOWN
G	0.220 [5.59]	SIGNAL

spec ref	SEE NOTES			dr	Weller Luo	2012-11-08	projection 	MM 	size	A4	scale	1:1	
tolerance std	TOLERANCES UNLESS OTHERWISE SPECIFIED			eng	Weller Luo	2012-12-11			ecn no	*			
SEE NOTES				chr	-	-	product family	PwrBlade	rel level	Released			
appr				PM ZHENG	2012-12-11								
surface	linear	0.X	±0.50		title	10P + 24S + 12P		dwg no	51939-721		rev	A	
SEE NOTES		0.XX	±0.25			www.fci.com	cat. no.					*	Product - Customer Drw
	0.XXX	±0.10											
SEE NOTES	angular	0°	±2°										

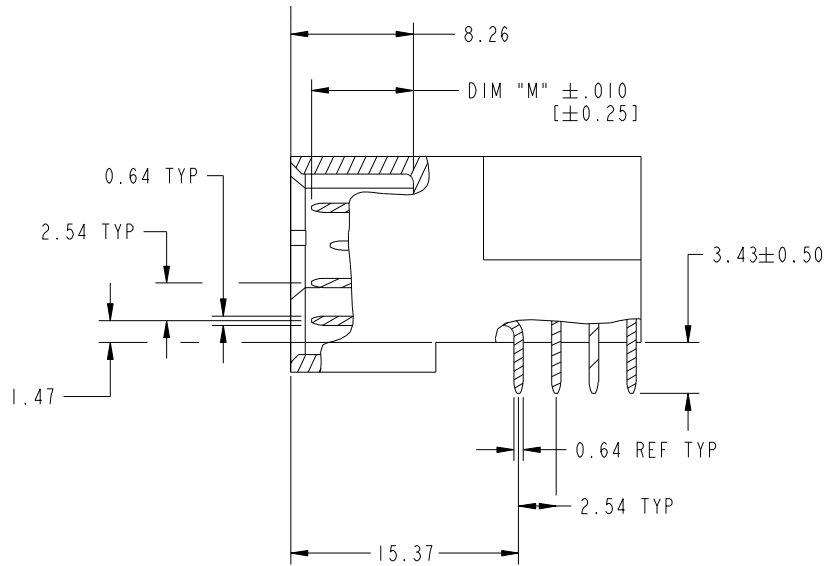


Copyright FCI.

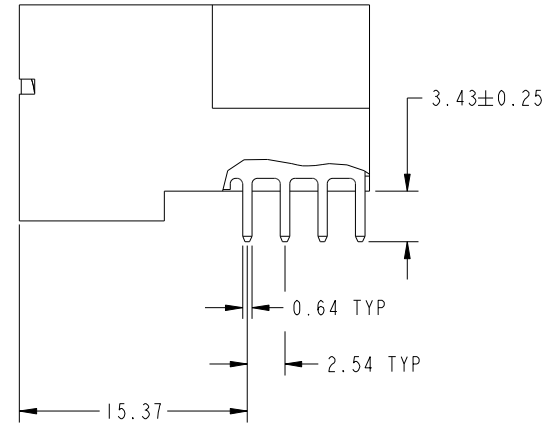
Profile - REV C - 2009-06-09

PRODUCT NUMBER

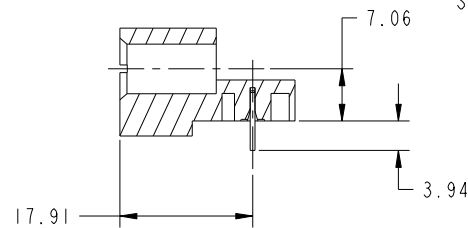
51939-721 __
SEE NOTE 3



BROKEN-OUT SECTION A-A
SCALE 2:1



BROKEN-OUT SECTION B-B
SCALE 2:1



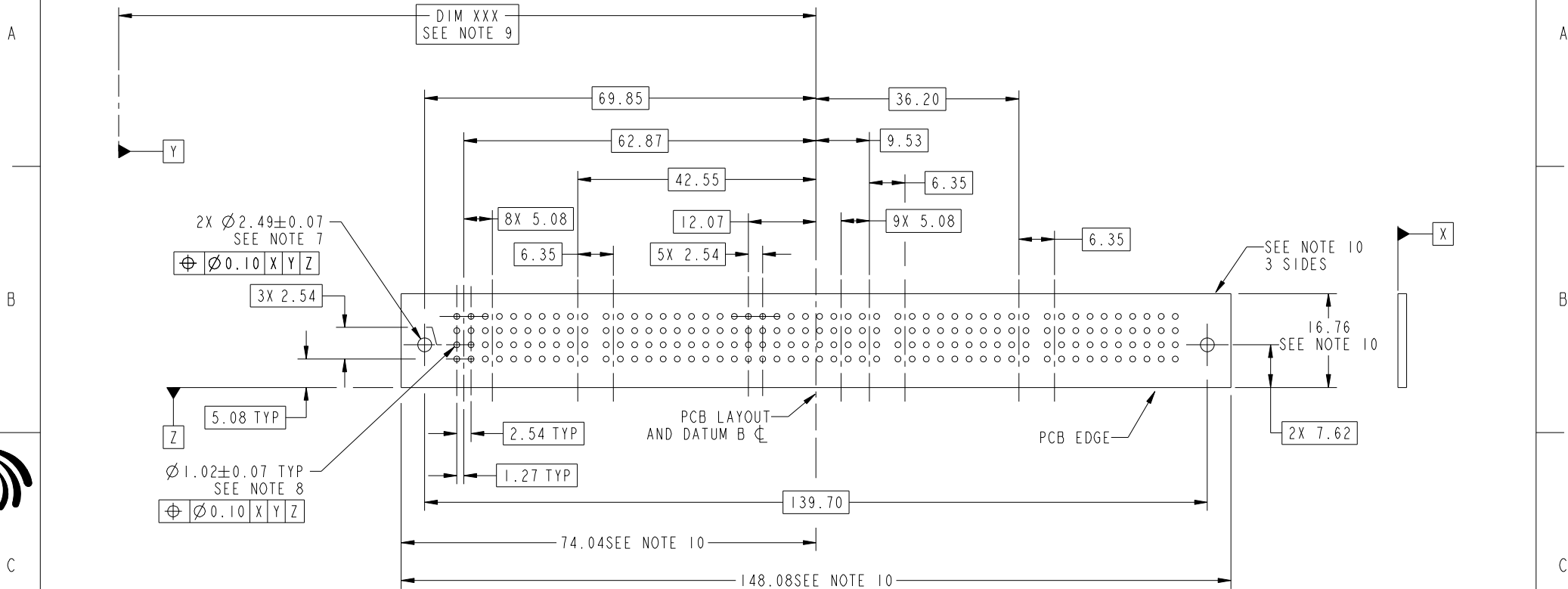
SECTION C-C



Copyright FCI.

dr	Weller Luo	2012-11-08	projection	MM	size	A4	scale	1:1
eng	Weller Luo	2012-12-11			ecn no	*		
chr	-	-			rel level	Released		
appr	PM ZHENG	2012-12-11	product family	PwrBlade				
	title	10P + 24S + 12P		dwg no	51939-721		rev	A
www.fci.com	cat. no.	*	Product - Customer Drw			sheet 2 of 4		

PRODUCT NUMBER
51939-721__
NOTE: 3



RECOMMENDED PCB LAYOUT



Copyright FCI.

dr	Weller Luo	2012-11-08	projection	MM	size	scale
eng	Weller Luo	2012-12-11			A4	1:1
chr	-	-			ecn no	*
appr	PM ZHENG	2012-12-11	product family	PwrBlade	rel level	Released
	title	10P + 24S + 12P		dwg no	51939-721	
www.fci.com	cat. no.	*		Product - Customer Drw	sheet 3 of 4	
					rev	A

PRODUCT NUMBER

51939-721__
NOTE: 3

NOTES:

1. DIMENSIONS AND TOLERANCES ARE IN ACCORDANCE WITH ASME Y14.5M, 1994 UNLESS OTHERWISE SPECIFIED.

CONNECTOR NOTES:

- 2. HOUSING MATERIAL: UL 94 V-0 GLASS FILLED HIGH-TEMP THERMOPLASTIC
POWER CONTACT MATERIAL: COPPER ALLOY
SIGNAL PIN MATERIAL: COPPER ALLOY
- 3. SEE ITEM 1 & 2 IN PRINT 10064183 FOR PLATING SPEC OF 51939-721 AND 51939-721LF RESPECTIVELY.
- 4. MANUFACTURER'S NAME, DATE CODE AND OPTIONAL P/N TO APPEAR ON THIS SURFACE. THE P/N CAN BE OMITTED IF THERE IS NOT ENOUGH SPACE ON THIS SURFACE.
- 5. PRODUCT SPECIFICATION GS-12-149.
APPLICATION SPECIFICATION BUS-20-067.
- 6. PACKAGED IN TRAYS.

PCB NOTES:

- 7. ALL HOLE DIAMETERS ARE FINISHED HOLE SIZE.
- 8. MOUNTING HOLES, WHERE APPLICABLE, ARE UNPLATED.
- 9. $\varnothing 1.151 \pm 0.025$ DRILLED HOLES PLATED WITH
0.008 MIN SnPb OR Sn OVER 0.03
TO 0.08 Cu PLATING TO ACHIEVE
 $\varnothing 1.02 \pm 0.07$ HOLE.
- 10. "DIM XXX" TO BE DETERMINED BY THE CUSTOMER.
- 11. CONNECTOR KEEP-OUT ZONE.



Copyright FCI.

dr	Weller Luo	2012-11-08	projection 	MM 	size	A4	scale	1:1	
eng	Weller Luo	2012-12-11			ecn no	*			
chr	-	-			rel level	Released			
appr	PM ZHENG	2012-12-11	product family	PwrBlade	rel level	Released			
		title	10P + 24S + 12P RIGHT ANGLE SOLDER HEADER		dwg no	51939-721		rev	A
www.fci.com	cat. no.	*	Product - Customer Drw			sheet 4 of 4			