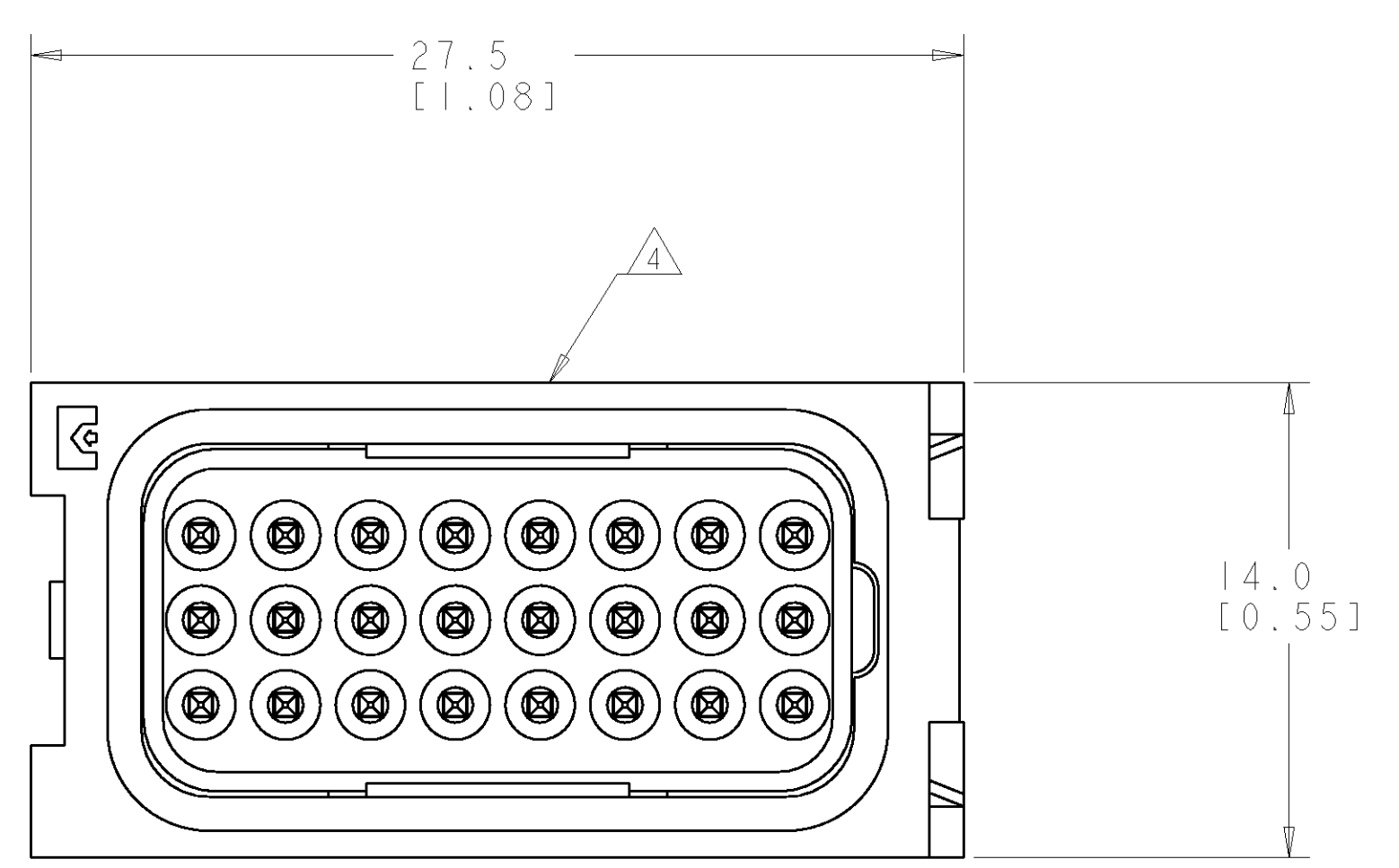


LOC	DIST	REVISIONS					
GP	00	P	LTR	DESCRIPTION	DATE	DNW	APVD
		A		RELEASED	10OCT2006	RG	DO
		B		REV PER ECO-011569	21MAY2007	RG	PD



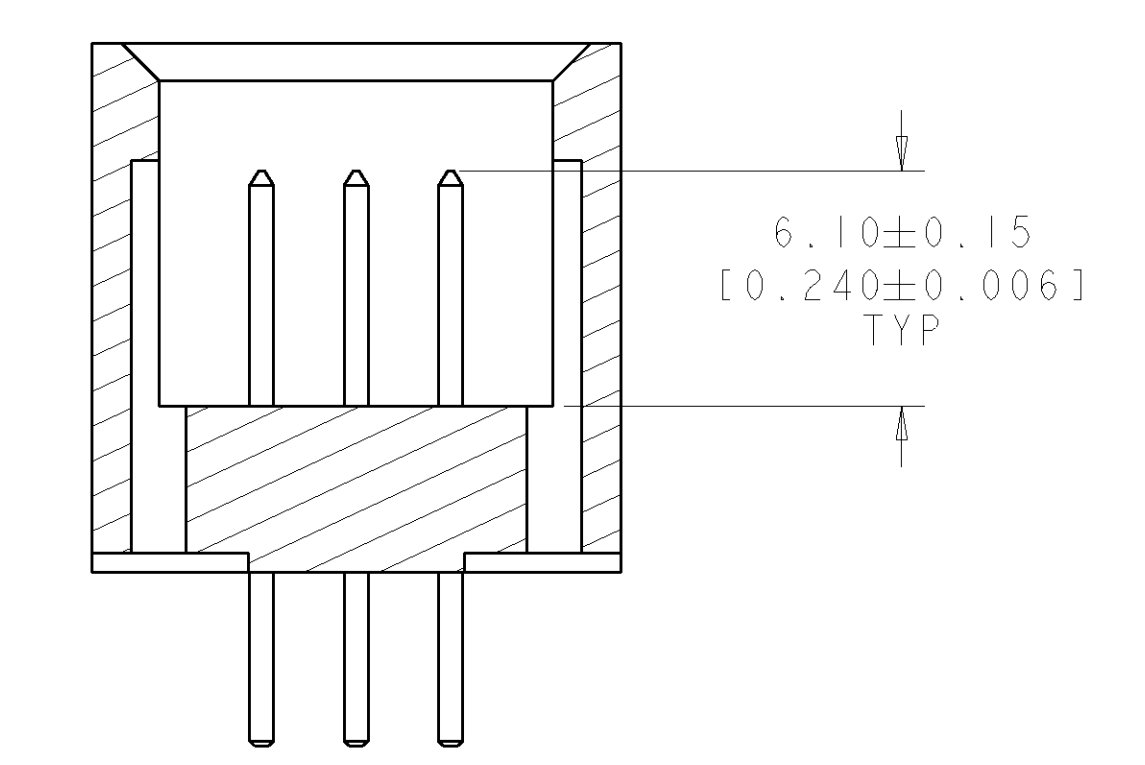
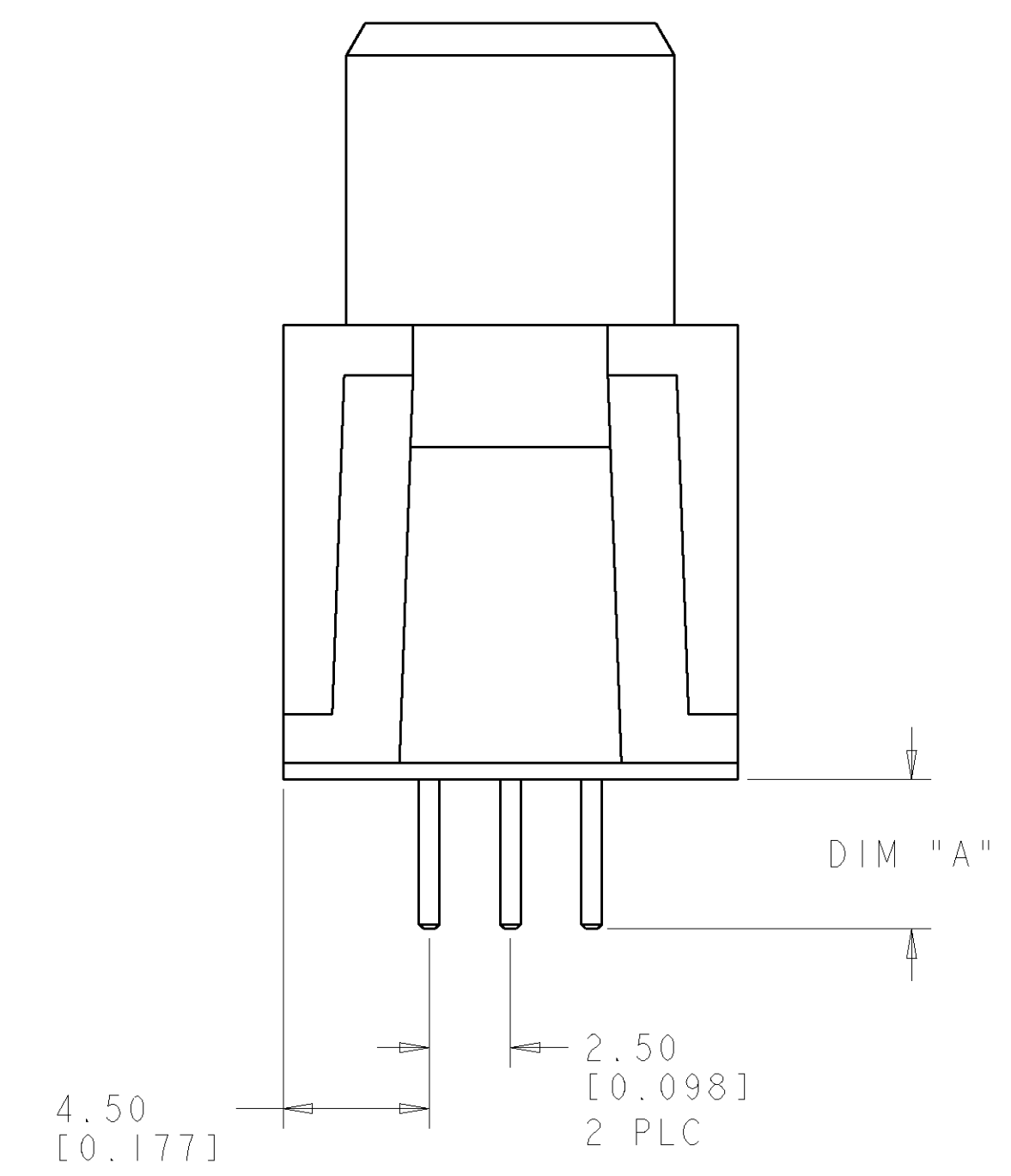
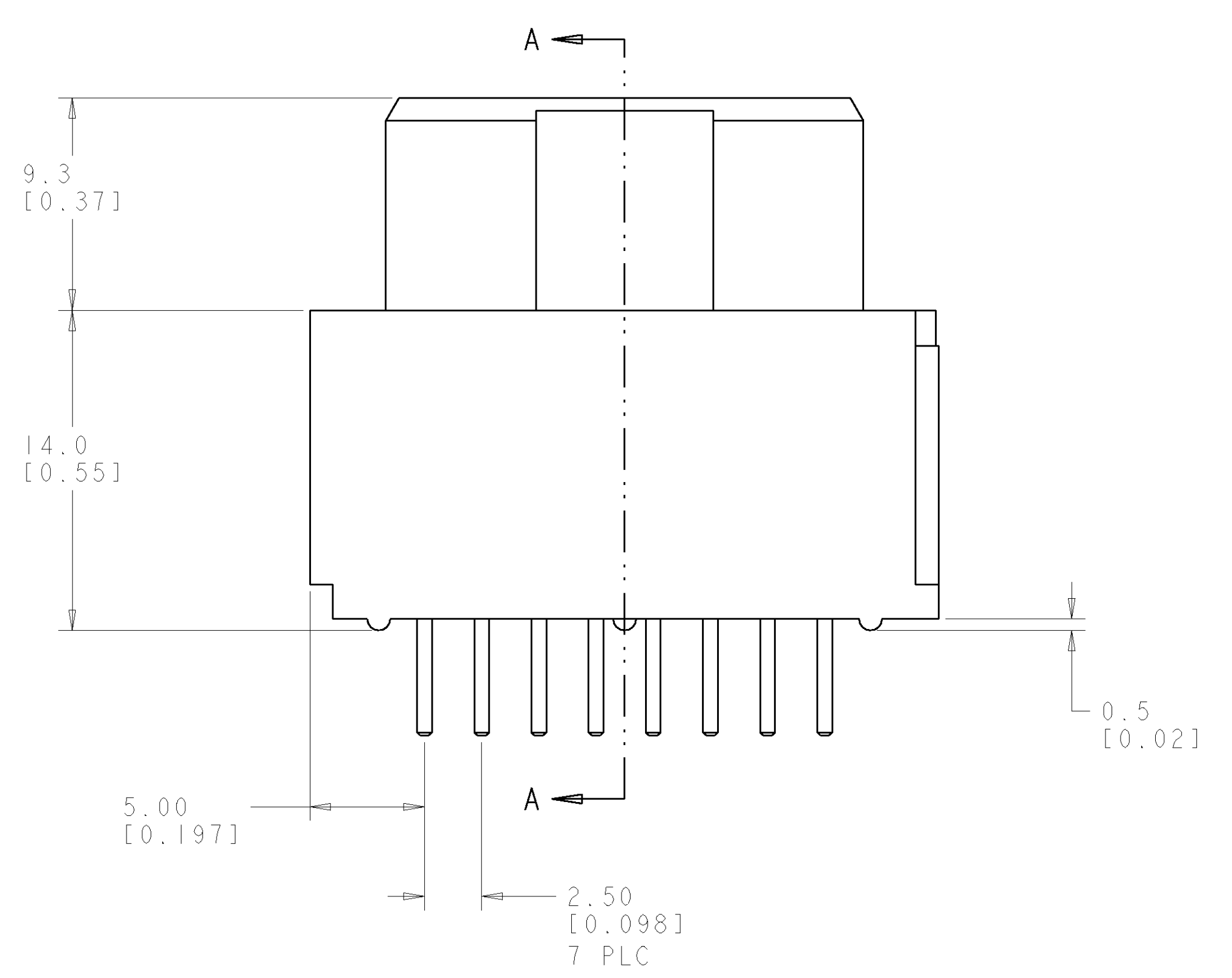
1. PART NUMBER CHANGES AND OR DESIGN CHANGES AFFECTING ITEM INTERCHANGEABILITY REQUIRE PRIOR TYCO ELECTRONICS APPROVAL AND AUTHORIZATION BY REVISION TO THIS DRAWING.

2. MATERIAL: INSULATORS - THERMOPLASTIC, GLASS REINFORCED, COLOR: BLACK, UL94V-0 FLAMMABILITY RATED. SOLDER SIGNAL PINS-BRASS ALLOY

3. FINISH: CONTACTS - GOLD PLATE .000030 INCH MIN. THK., OVER NICKEL .000050 INCH MIN. THK. SOLDER TAILS, TIN .000120 INCH MIN. THK. OVER NICKEL .000050 MIN THK.

4. ITEMS PROVIDED TO THIS SPECIFICATION TO BE PERMANENTLY IDENTIFIED PER THE FOLLOWING IDENTIFIER LABEL

YEAR 1 WEEK 1
 TYCO ELECTRONICS PART NO. DATE CODE (e.g. 0106)
 XXXXXXXX-X XXXX

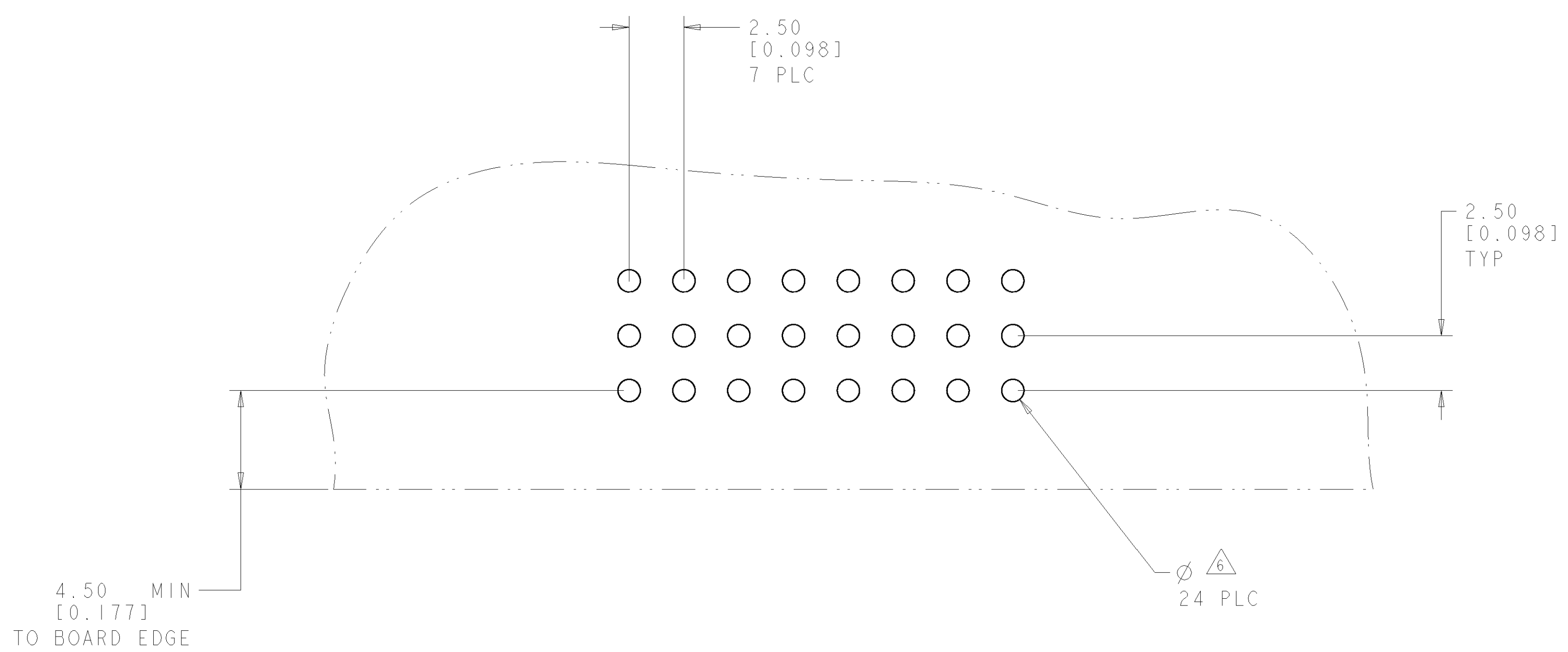


SECTION A-A
 GENDEX CHANGER REMOVED FOR CLARITY

2.54 - 3.56	1926240-2
4.06 - 5.08	1926240-1
DIM "A"	PART NUMBER

DIMENSIONS: mm [INCHES] TOLERANCES UNLESS OTHERWISE SPECIFIED: 0 PLC ±.3 1 PLC ±0.15 2 PLC ±.15 3 PLC ±.15 4 PLC ±.15 ANGLES ±.5		DWN: B. GRZYBOWSKI 10OCT06 CHK: D. ORRIS 10OCT06 APVD: S. FLICKINGER 10OCT06 PRODUCT SPEC: - APPLICATION SPEC: - WEIGHT: - CUSTOMER DRAWING	Tyco Electronics Harrisburg, PA 17105-3608 NAME: STRAIGHT SOCKET CONNECTOR SOLDER TAIL SIZE: A 00779 C=1926240 SCALE: 3:1 SHEET 1 OF 3 REV B
---	--	---	--

LOC		DIST		REVISIONS			
P	LTR	DESCRIPTION	DATE	DWN	APVD		
-	-	SEE SHEET 1	-	-	-		



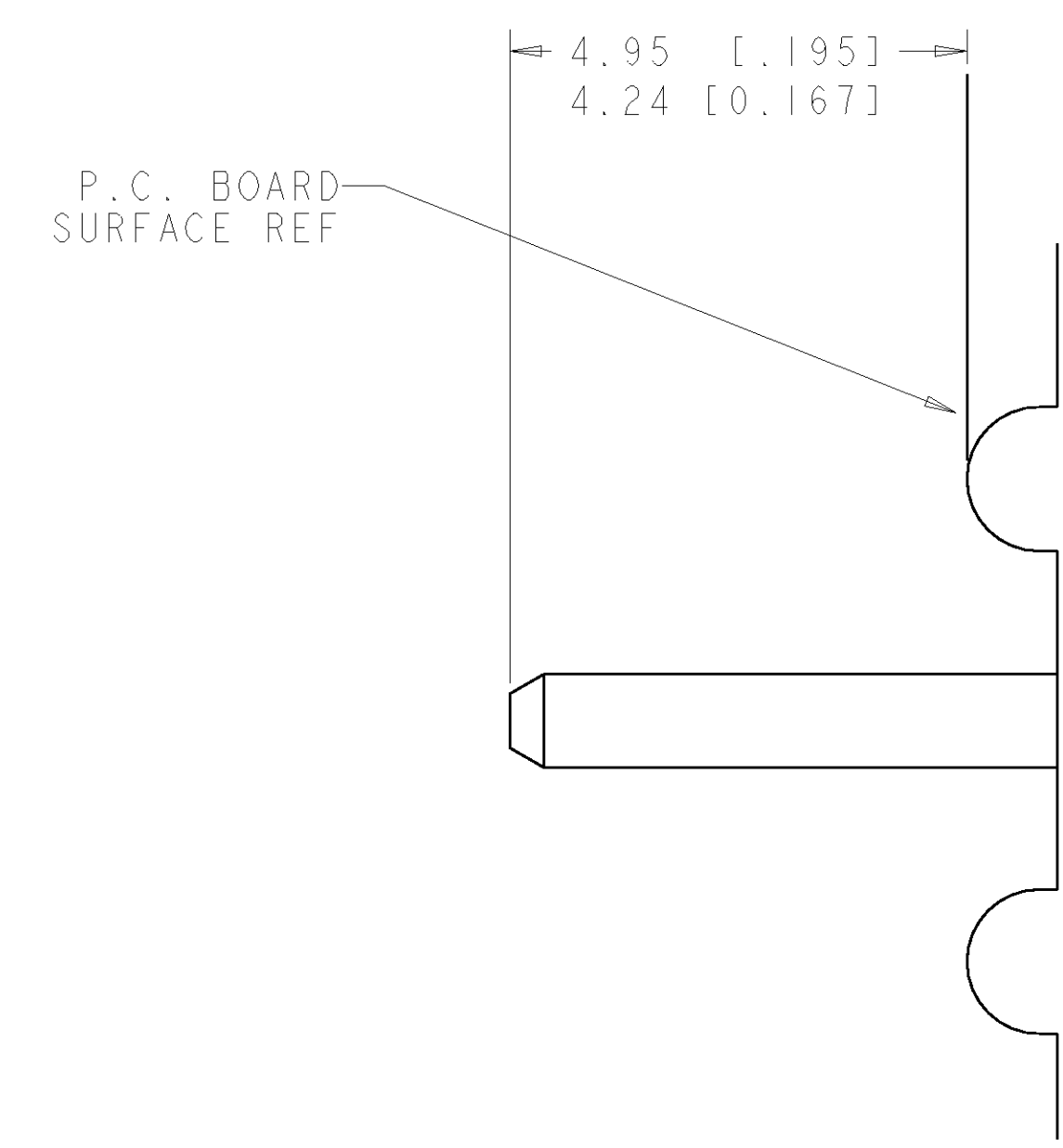
PRINTED CIRCUIT LAYOUT
 COMPONENT SIDE

CONNECTOR	EQUIVALENT CATALOG MODULE #	MODULE QTY	CONTACT QTY	SIZE NO.	MATING PIN	MAX. CURRENT (PER CONTACT)	CONTACT SPACING	VOLTAGE RATING
SOCKET	FP301	1	24	22	.64 [.025] SQ.	3 amps	2.50 [.0984]	125 VOLTS

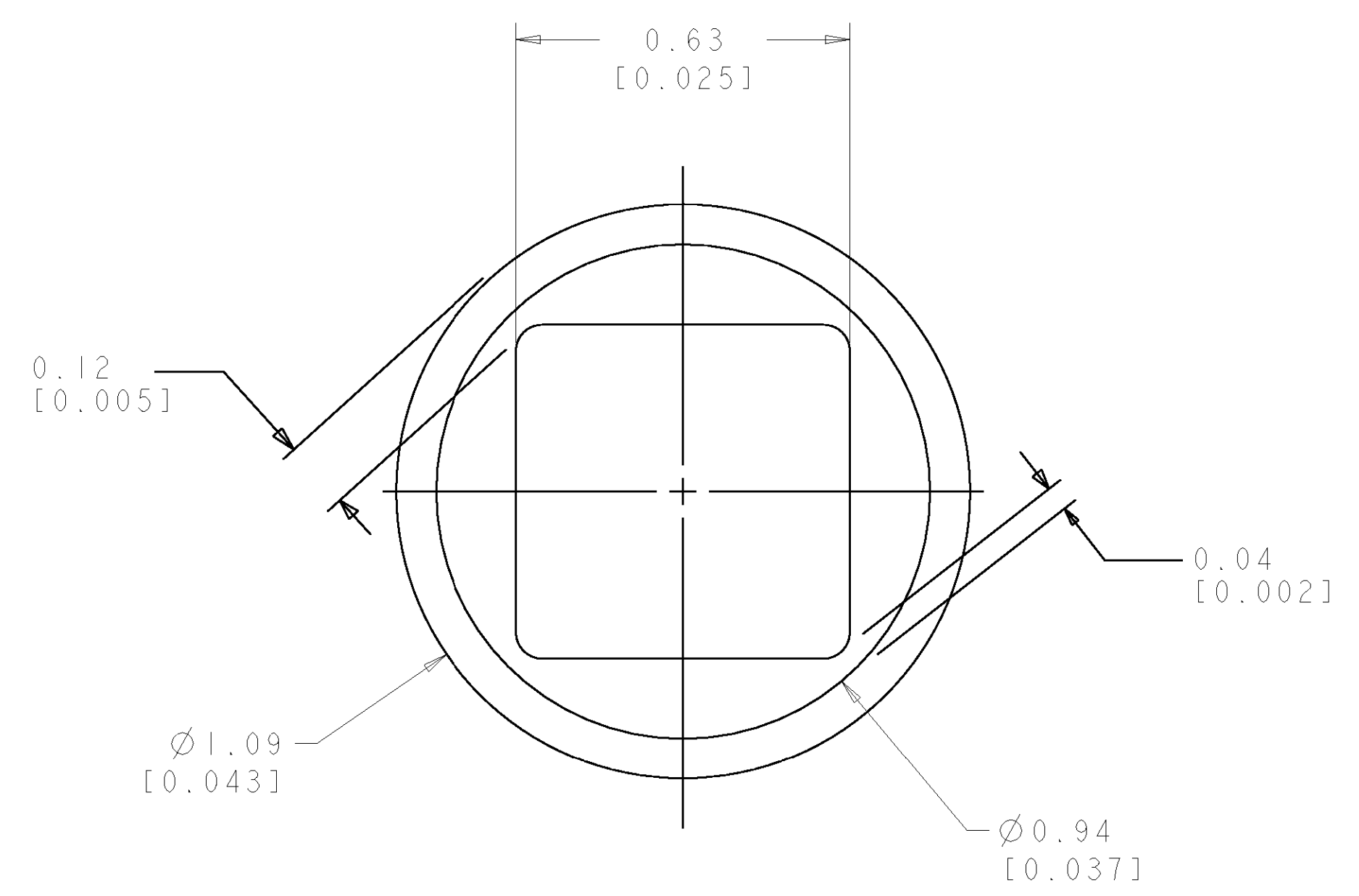
ELCON FLATPAQ

<small>THE DIMENSIONS OF CONNECTED SOCKETS FROM THIS DRAWING ARE SUBJECT TO CHANGE AND THE CUSTOMER'S RESPONSIBILITY TO CONTACT THE SUPPLIER FOR THE LATEST POSITION.</small>		DWN: B. GRZYBOWSKI 10OCT06 ENR: D. ORRIS 10OCT06 APVD: S. FLICKINGER 10OCT06	Tyco Electronics Harrisburg, PA 17105-3608
DIMENSIONS: mm [INCHES] 	TOLERANCES UNLESS OTHERWISE SPECIFIED: 0 PLC ± 1 PLC ±0.3 2 PLC ±0.15 3 PLC ± 4 PLC ± ANGLES ±.5	NAME: STRAIGHT SOCKET CONNECTOR SOLDER TAIL PRODUCT SPEC: - APPLICATION SPEC: - WEIGHT: - FINISH: -	SIZE: A 00779 C=1926240 SCALE: 3:1 SHEET 2 OF 3 REV B
MATERIAL: -		CUSTOMER DRAWING	

LOC	DIST	REVISIONS			
P	LTR	DESCRIPTION	DATE	DWN	APVD
-	-	SEE SHEET 1	-	-	-



5. SOLDER TAIL
SCALE 10:1



6. SOLDER TERMINATION AREA
 SCALE 40:1
 RECOMMENDED PRINTED CIRCUIT SOLDER HOLE
 FINISHED HOLE: Ø1.02 [.040] ±.08 [.003]
 DRILLED HOLE: Ø1.15 [.0453] ±.013 [.0005]
 COPPER PLATE: .025 [.0010] MIN
 TIN PLATE: .008 [.0003] MIN. (PER SURFACE)

ELCON FLATPAQ

<small>THIS DRAWING IS UNPUBLISHED. RELEASED FOR PUBLICATION BY TYCO ELECTRONICS CORPORATION. ALL RIGHTS RESERVED.</small>		DWN: B. GRZYBOWSKI 10OCT06 ENR: D. ORRIS 10OCT06 APVD: S. FLICKINGER 10OCT06	Tyco Electronics Harrisburg, PA 17105-3608
DIMENSIONS: mm [INCHES]	TOLERANCES UNLESS OTHERWISE SPECIFIED: 0 PLC ± 1 PLC ±0.3 2 PLC ±0.15 3 PLC ± 4 PLC ± ANGLES ±.5	NAME: STRAIGHT SOCKET CONNECTOR SOLDER TAIL PRODUCT SPEC: APPLICATION SPEC:	SIZE: A 00779 C=1926240 SCALE: 3:1 SHEET 3 OF 3 REV B
MATERIAL: -	FINISH: -	WEIGHT: -	CUSTOMER DRAWING