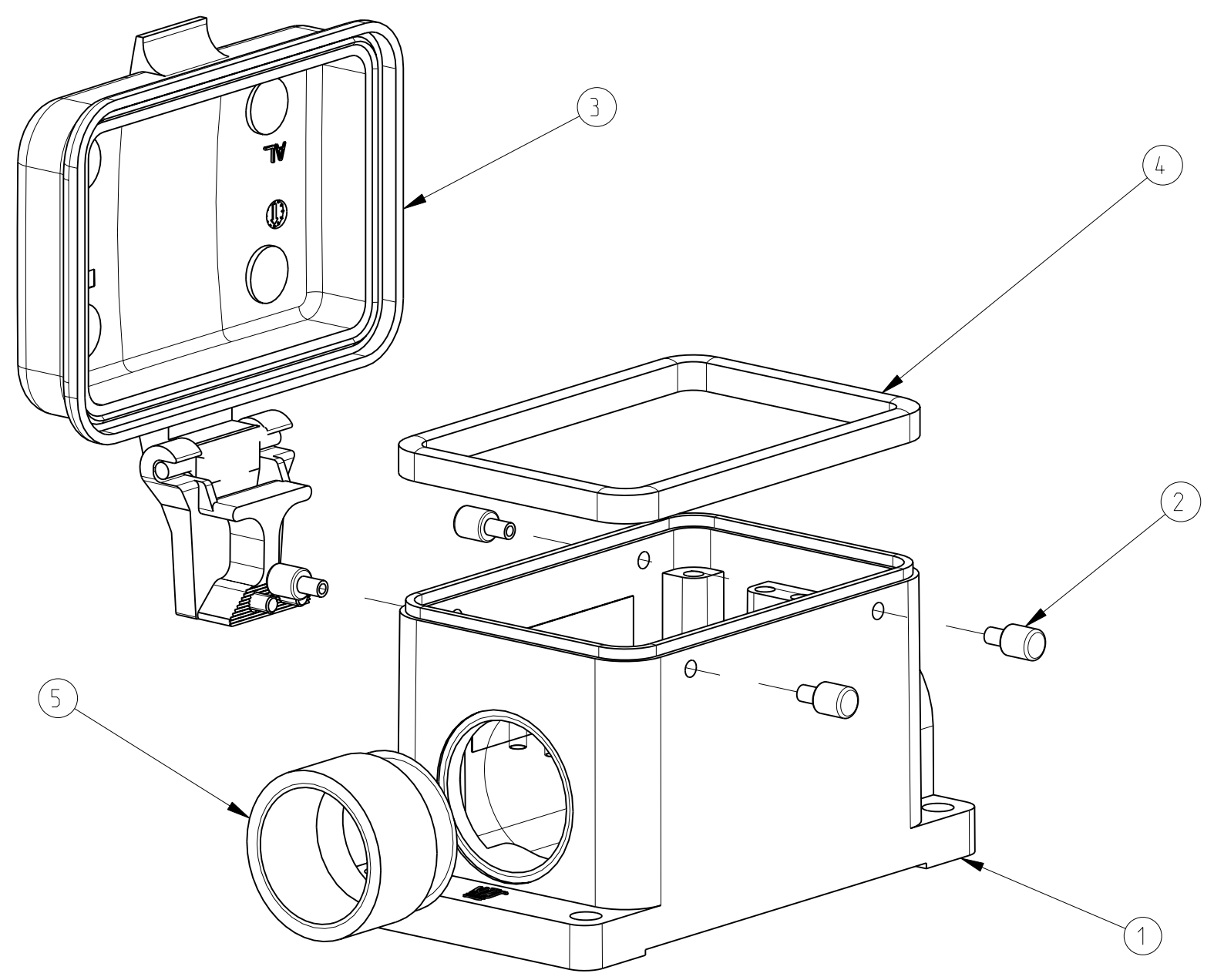


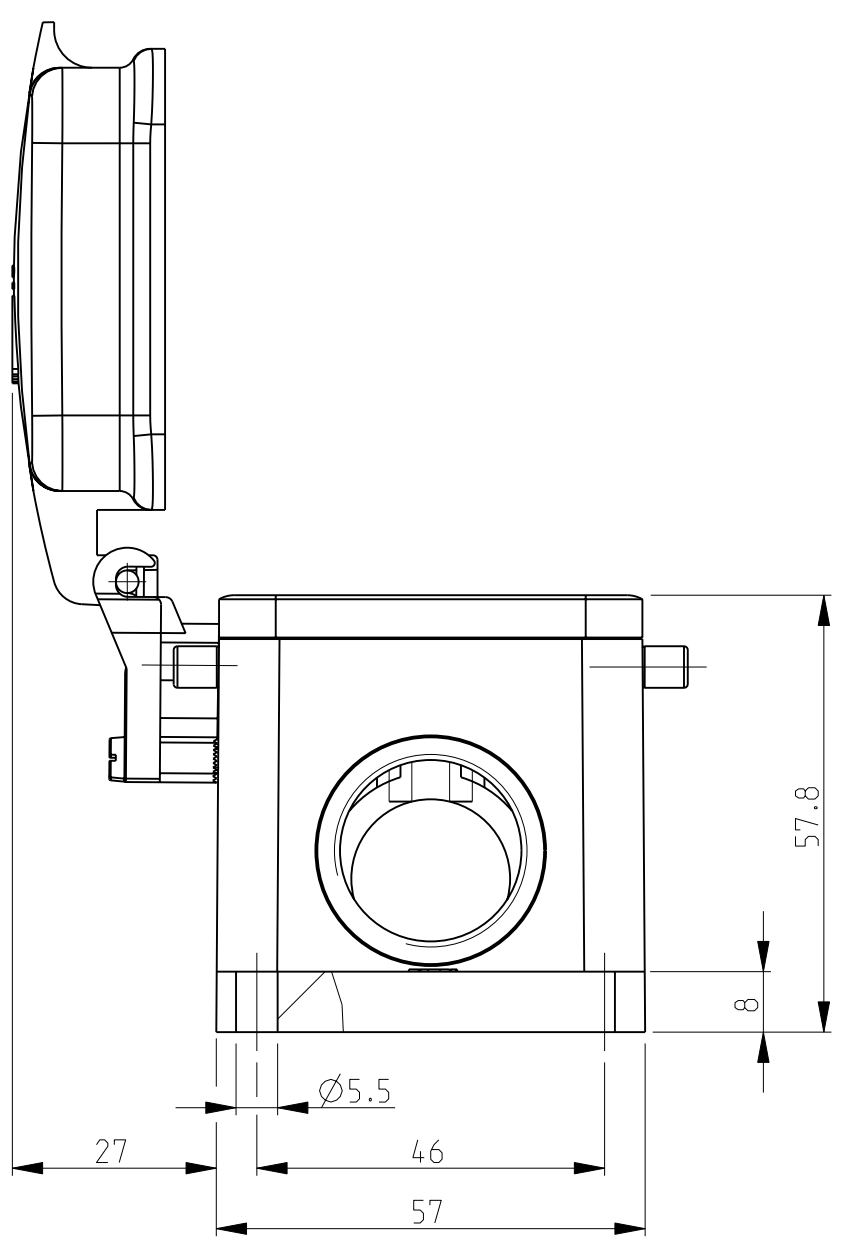
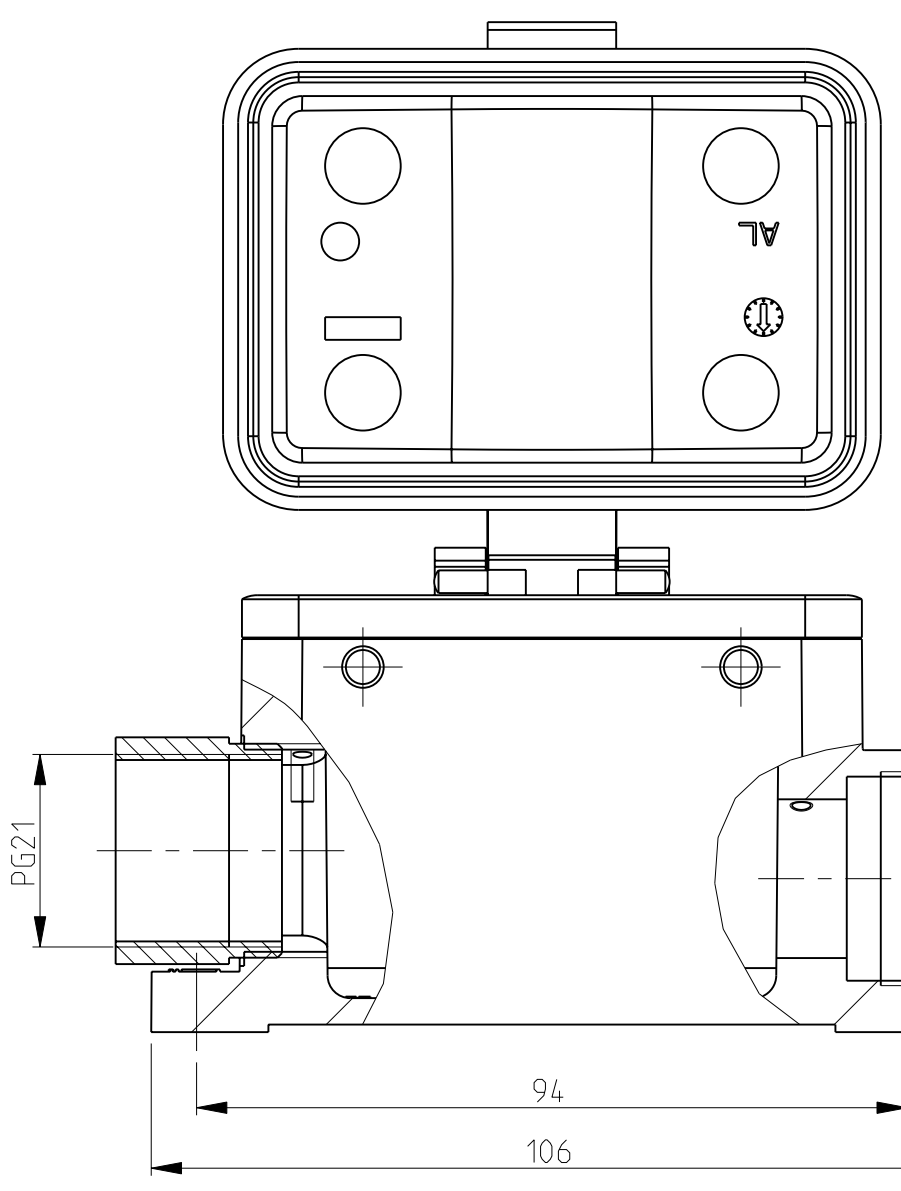
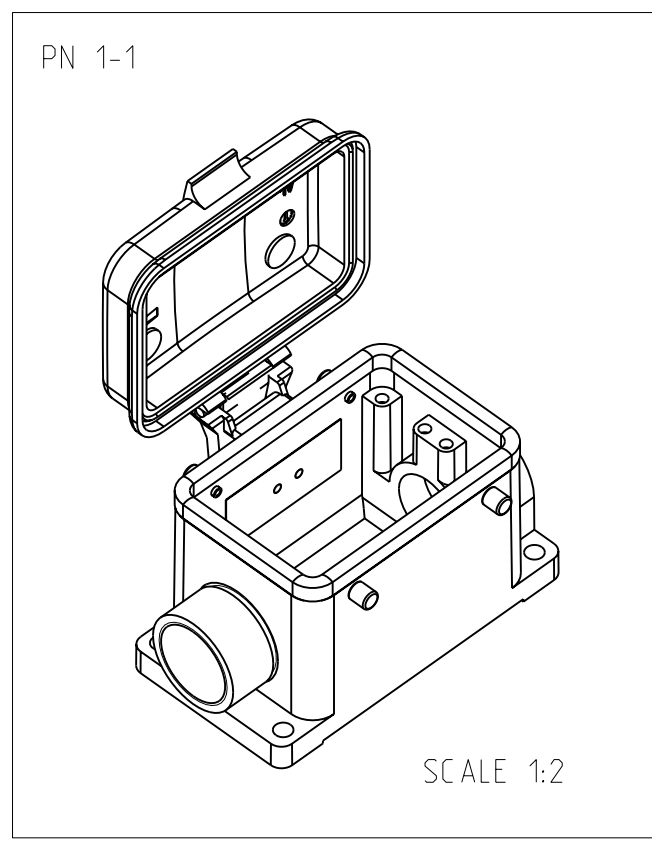
THIS DRAWING IS UNPUBLISHED. RELEASED FOR PUBLICATION . 2009
 © COPYRIGHT 2009 BY TYCO ELECTRONICS CORPORATION. ALL RIGHTS RESERVED.

LOC	DIST	REVISIONS			
P	LTR	DESCRIPTION	DATE	DWN	APVD
A1	-	NEW RELEASE	23-JAN-09	GG	TS



- NOTES:
- 1 MATERIAL: SEE TABLE
 - 2 SURFACE: SEE TABLE
 - 3 VARNISH ON THE INSIDE NOT NECESSARY
 - 4 PACKAGING QUANTITY: 5 PIECES IN A BOX

PN 1-1 AS SHOWN



1-1	DESCRIPTION	MATERIAL	SURFACE	COLOR	ITEM
1	ADAPTOR PG21	BRASS	NICKEL PLATED	-	5
1	PROFILE SEAL	NEOPRENE		BLACK	4
1	COVER	STEEL	ZINC PLATED	BLUE	3
4	CLIP BOLT	STEEL	ZINC PLATED	GREY	2
1	HOUSING HA.32.	ALUMINIUM		GREY RAL7001	1

THIS DRAWING IS A CONTROLLED DOCUMENT FOR TYCO ELECTRONICS CORPORATION IT IS SUBJECT TO CHANGE AND THE CONTROLLING ENGINEERING ORGANIZATION SHOULD BE CONTACTED FOR THE LATEST REVISION.		DWN GUNA 23-JAN-09 CHK PRAKASH.S 23-JAN-09 APVD T.SCHNURPFEL 23-JAN-09	Tyco Electronics Tyco Electronics.AMP.GmbH 53757.SanktAugustin.Germany
DIMENSIONS: mm 		TOLERANCES UNLESS OTHERWISE SPECIFIED: 0 PLC ± 1 PLC ± 2 PLC ± 3 PLC ± 4 PLC ± ANGLES ±	NAME SURFACE MOUNTED HOUSING ASSY HA32.SGD.2.21.Z SIZE A2 CAGE CODE 00779 DRAWING NO C-1102169 RESTRICTED TO
MATERIAL 1 2		APPLICATION SPEC WEIGHT CUSTOMER DRAWING	SCALE 1:1 SHEET 1 OF 1 REV A1