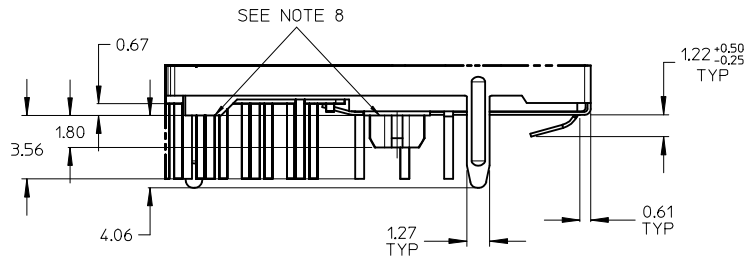
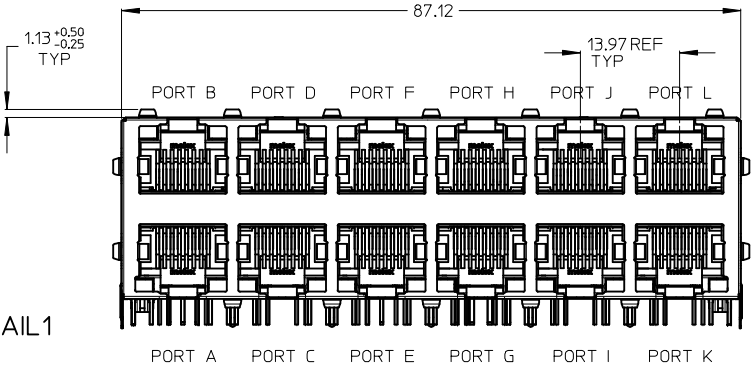
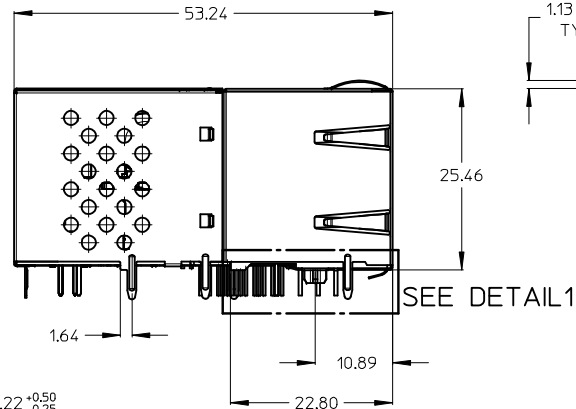
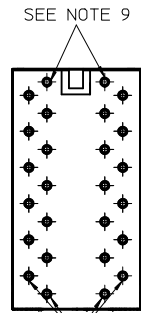


ALL IN ONE POWER SOURCING EQUIPMENT SOLUTION ACCORDING
 IEEE Std802.3-2012 WITH INTEGRATED POWER OVER ETHERNET PLUS CONTROL
 CIRCUITRY, I2C BUS CONTROL INTERFACE, GIGABIT ETHERNET
 TRANSFORMERS AND BICOLOR LED'S. AUTONOMOUS POE PLUS PSE
 OPERATION OR COMPREHENSIVE PORT CONTROL WITH EXTERNAL
 POWER MANAGEMENT.

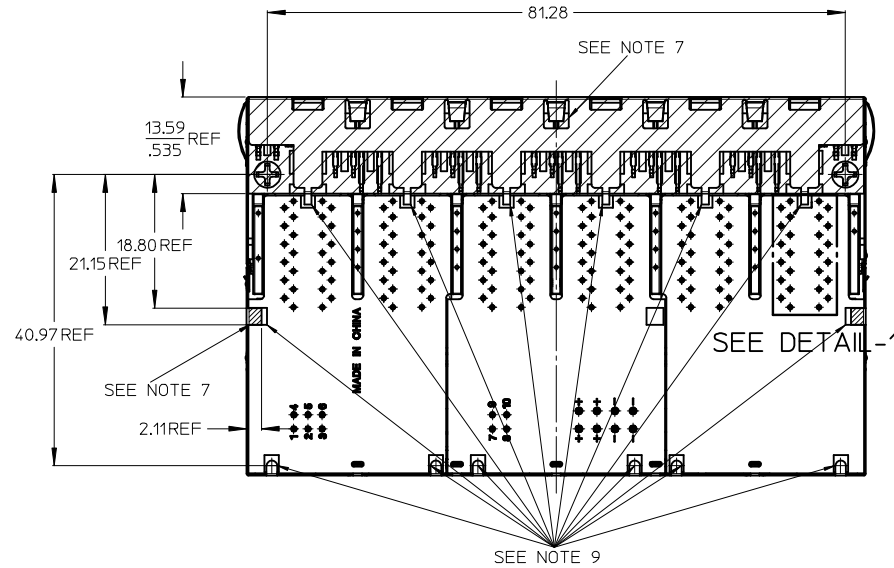


DETAIL 1
 SCALE 5:1

| BOM | | |
|------------|--------------------|------------|
| P/N | VERSION | CONTROLLER |
| 85717-1001 | MICROSEMI STANDARD | PD69104 |
| 85717-2001 | MICROSEMI PoETeC | PD69104B |
| 85718-1001 | LTC CIRCUITRY | LTC4270 |



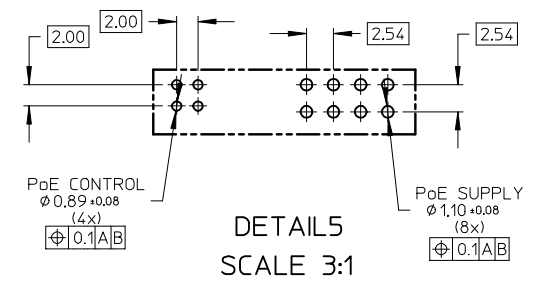
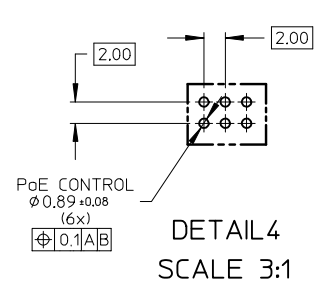
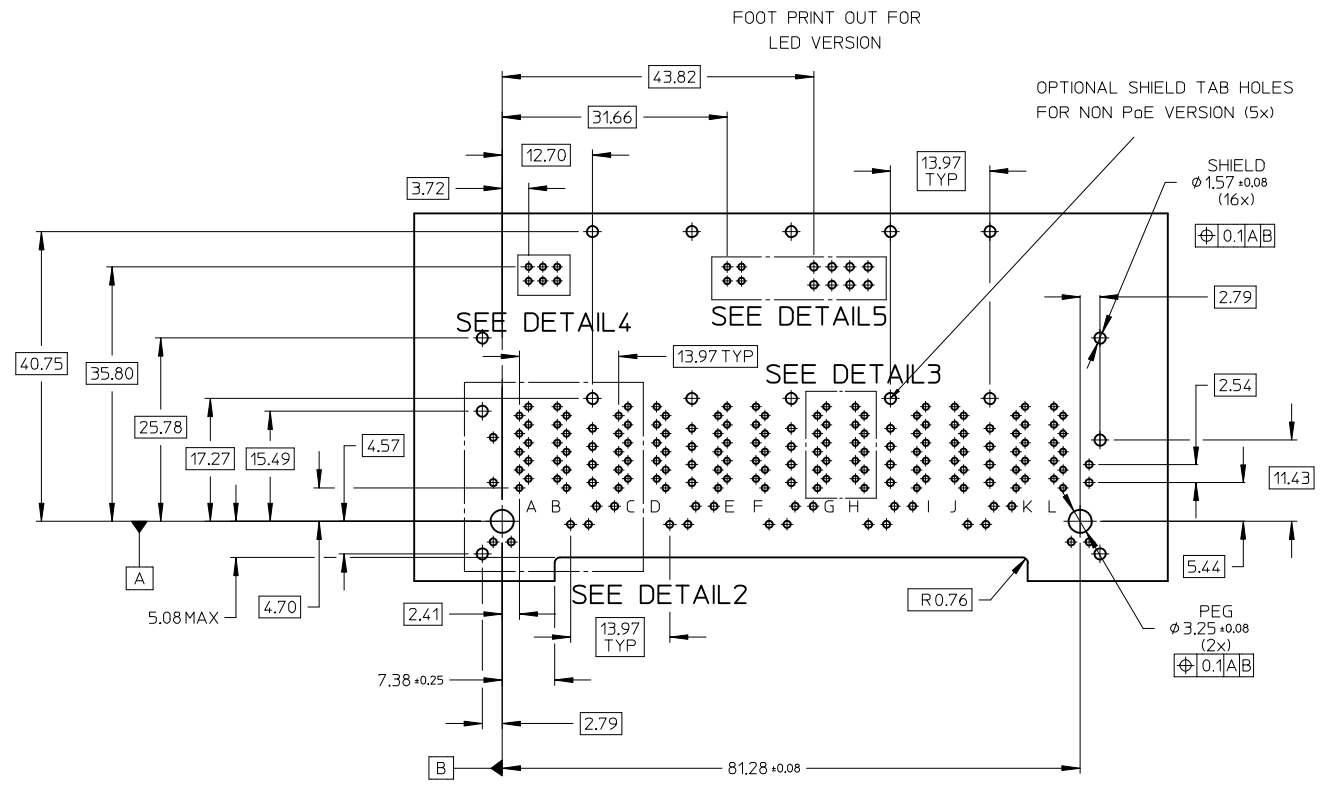
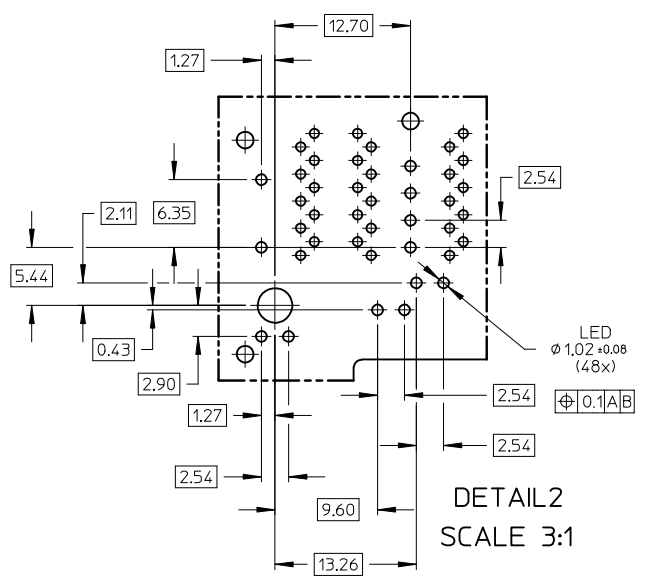
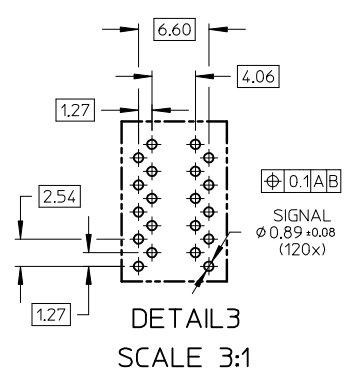
DETAIL-1
 SCALE 4:1



NOTES:

- 1 - SHIELD MATERIAL: BRASS; PLATING: NICKEL PRE-PLATING
- 2 - PLASTIC MATERIAL: POLYESTER (PBT) BLACK, 30%GR, UL 94V-0
- 3 - TERMINALS MATERIAL: COPPER ALLOY
 CONTACT SURFACE FINISH: GOLD OR GOLD FLASH OVER PALLADIUM NICKEL
 EXCEEDS PRODUCT REQUIREMENTS BASED ON PRODUCT SPECIFICATION PS-85717-001
- 4 - MATING INTERFACE ACCORDING TO IEC 60603-7
- 5 - PRODUCT SPECIFICATION: RPS-85717-001
- 6 - PACKAGING SPECIFICATION: PK-85719-101
- 7 - TRACES WITHOUT INSULATION NOT ALLOWED IN THE DASHED AREAS.
 (TO AVOID SHORTS TO SHIELD)
- 8 - STAND OFF TO SYSTEM BOARD / PIN LENGTH MEASURED FROM HOUSING STAND OFF ONLY
- 9 - STUB PINS AND SHIELD LATCHES; AVOID TO ROUTE TRACES OR TO PLACE ANY
 VIAS OR PADS BELOW THESE PINS
- 10 - FOR MAGNETIC, PIN LAYOUT AND LED INFORMATIN SEE SPEC PS-85717-001

| | | | | | | | | |
|--|-------------|--|---------------------------------------|-----------------|--|--------------|---|--|
| NEW P/N ADDED IEC NO: 2014/05/22 DRWN: JBADER CHKD: MMANGARUDOV 2014/05/22 APPR: SSTEINKE 2015/11/26 | DESCRIPTION | QUALITY SYMBOLS | GENERAL TOLERANCES (UNLESS SPECIFIED) | DIMENSION STYLE | SCALE | DESIGN UNITS | THIRD ANGLE PROJECTION | |
| | | ▽=0 | mm INCH | MM ONLY | 2:1 | METRIC | | |
| | | ▽=0 | 4 PLACES ± --- ± --- | DRAWN BY | DATE | TITLE | GIGABIT MAGNETIC JACK INTEGRATED PSE POE PLUS 2X6 LED | |
| | | | 3 PLACES ± --- ± --- | JBADER | 2011/03/03 | | MOLEX INCORPORATED | |
| | | 2 PLACES ± 0.25 ± --- | 2 PLACES ± 0.25 ± --- | CHECKED BY | DATE | | | |
| | | 1 PLACE ± 0.5 ± --- | 1 PLACE ± 0.5 ± --- | MMANGARUDOV | 2011/06/01 | | | |
| | | ANGULAR ± .5 ° | ANGULAR ± .5 ° | APPROVED BY | DATE | | | |
| | | | | SSTEINKE | 2012/06/20 | | | |
| | | DRAFT WHERE APPLICABLE MUST REMAIN WITHIN DIMENSIONS | | MATERIAL NO. | | DOCUMENT NO. | | |
| | | | | SEE BOM | | SD-85717-101 | SHEET NO. 1 OF 3 | |
| | | | | SIZE | THIS DRAWING CONTAINS INFORMATION THAT IS PROPRIETARY TO MOLEX INCORPORATED AND SHOULD NOT BE USED WITHOUT WRITTEN PERMISSION | | | |

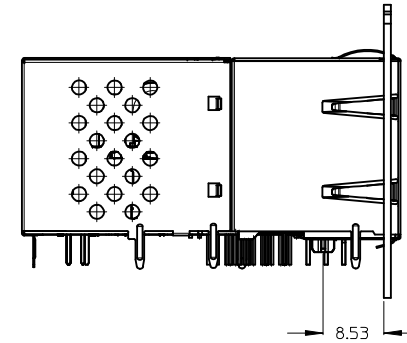
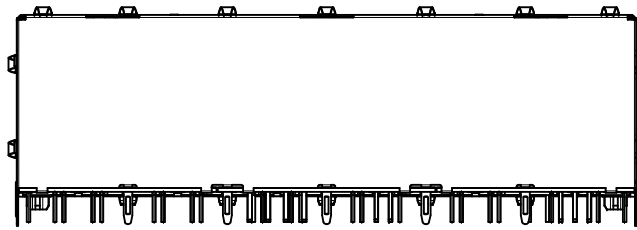
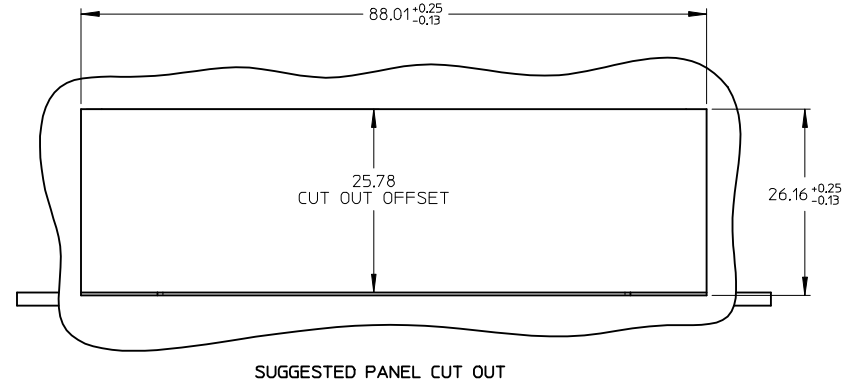
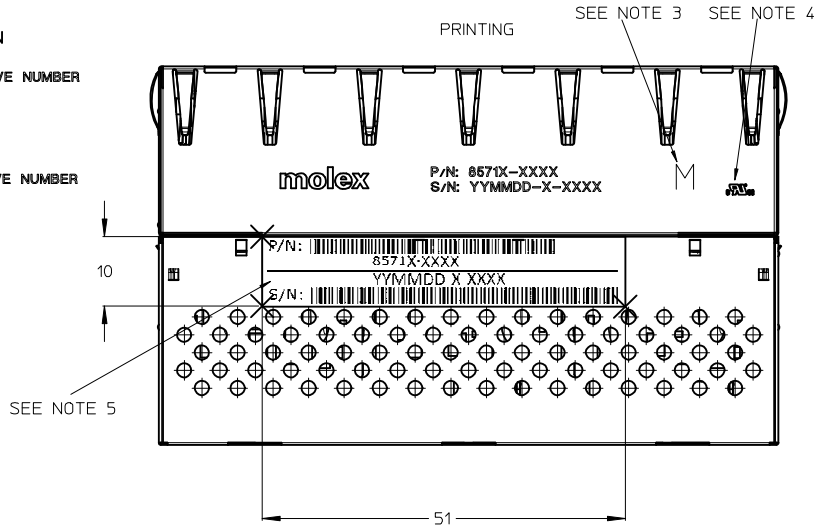


| | | | | | | | | | | |
|------------------|--------|-------------|--|---------------------------------------|--------------|-----------------|------------|---|--------------|------------------------|
| INCH DIM DELETED | EC NO: | 2014/05/22 | QUALITY SYMBOLS | GENERAL TOLERANCES (UNLESS SPECIFIED) | | DIMENSION STYLE | | SCALE | DESIGN UNITS | THIRD ANGLE PROJECTION |
| | DRWN: | JBADER | | mm | INCH | MM ONLY | 2:1 | METRIC | ⊙ | |
| | CHKD: | MMANGARUDOV | | 4 PLACES ± --- | ± --- | DRAWN BY | DATE | TITLE | | |
| | APPR: | SSTEINKE | | 3 PLACES ± --- | ± --- | JBADER | 2011/03/03 | GIGABIT MAGNETIC JACK INTEGRATED PSE POE PLUS 2X6 LED | | |
| REV | | DESCRIPTION | 2 PLACES ± 0.25 | ± --- | CHECKED BY | DATE | | | | |
| | | | 1 PLACE ± 0.5 | ± --- | MMANGARUDOV | 2011/06/01 | | | | |
| | | | ANGULAR ± .5° | | APPROVED BY | DATE | | | | |
| | | | DRAFT WHERE APPLICABLE MUST REMAIN WITHIN DIMENSIONS | | SSTEINKE | 2012/06/20 | | | | |
| | | | | | MATERIAL NO. | | | | | |
| | | | | | SEE SHEET 1 | | | | | |
| | | | | | SD-85717-101 | | | | | |
| | | | | | MATERIAL NO. | | | | | |
| | | | | | DOCUMENT NO. | | | | | |
| | | | | | SHEET NO. | | | | | |
| | | | | | 2 OF 3 | | | | | |

PRINTING
 MICROSEMI CIRCUITRY VERSION
 P/N: 85717-1001
 S/N: YYMMDD-CM-CONSECUTIVE NUMBER

PRINTING
 MICROSEMI PoETeC VERSION
 P/N: 85717-2001
 S/N: YYMMDD-CM-CONSECUTIVE NUMBER

PRINTING
 LTC CIRCUITRY VERSION
 P/N: 85718-1001
 S/N: YYMMDD-CM-CONSECUTIVE NUMBER



NOTES:

- 1 - PRINTING MARKED BY LASER
- 2 - INSCRIPTION:
 1st LINE: PART NAME
 2nd LINE: DATE CODE (YEAR, MONTH, DAY) - MANUFACTURER ID - CONSECUTIVE NUMBER
- 3 - ONLY MICROSEMI VERSION MARKED BY A CAPITAL M
- 4 - OPTIONAL FOR UL CERTIFIED VERSIONS
- 5 - BARCODE LABEL INFORMATION
 BARCODE LABEL DETAILS: BRADY B-487
 RIBBON: R6000-INK COLOR BLACK

| | | | | | | | | | | | | | |
|---|--|-------------|--|--|---|--|--|--|-----------------------------|--------------|--|--|---------------------|
| NEW P/N ADDED EC NO: D DRWN: JBADER CHKD: MMANGARUDOV APPR: SSTE INKE | 2014/05/22 2014/05/22 2015/11/26 | DESCRIPTION | QUALITY SYMBOLS | | GENERAL TOLERANCES (UNLESS SPECIFIED) | | DIMENSION STYLE | | SCALE | DESIGN UNITS | THIRD ANGLE PROJECTION | | |
| | | | $\nabla=0$ $\nabla=0$ | | mm INCH 4 PLACES ± --- ± --- 3 PLACES ± --- ± --- 2 PLACES ± 0.25 ± --- 1 PLACE ± 0.5 ± --- ANGULAR ± .5° | | MM ONLY | | 2:1 | METRIC | <input checked="" type="checkbox"/> THIRD ANGLE <input type="checkbox"/> PROJECTION | | |
| | | | DRAFT WHERE APPLICABLE MUST REMAIN WITHIN DIMENSIONS | | DRAWN BY: JBADER DATE: 2011/03/03 CHECKED BY: MMANGARUDOV DATE: 2011/06/01 APPROVED BY: SSTE INKE DATE: 2012/06/20 | | TITLE GIGABIT MAGNETIC JACK INTEGRATED PSE POE PLUS 2X6 LED | | MATERIAL NO. SEE SHEET 1 | | DOCUMENT NO. SD-85717-101 | | SHEET NO. 3 OF 3 |
| | | | THIS DRAWING CONTAINS INFORMATION THAT IS PROPRIETARY TO MOLEX INCORPORATED AND SHOULD NOT BE USED WITHOUT WRITTEN PERMISSION | | | | | | | | | | |