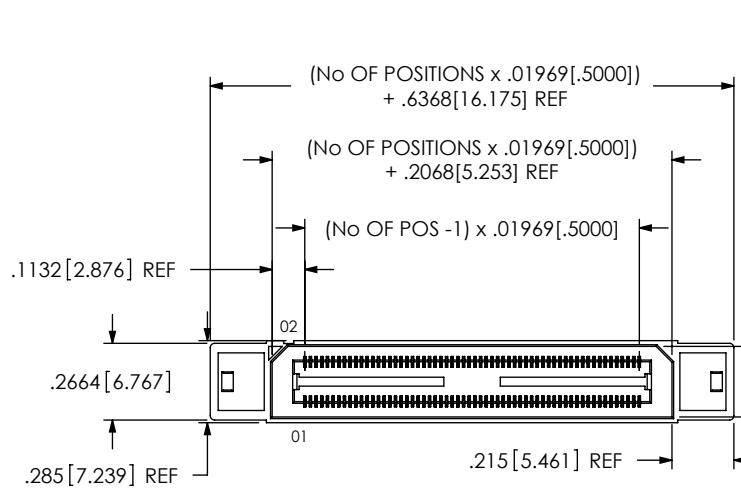


DO NOT SCALE FROM THIS PRINT

ASO (USED FOR APPLICATION SPECIFIC ONLY)

BSH-XXX-01-X-D-EMX



No OF POSITIONS (PER ROW)
 -030, -060, -090,
 ** -120, ** -150, ** -180

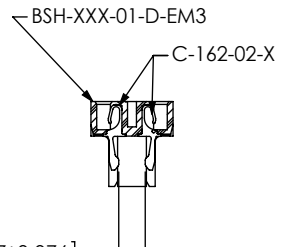
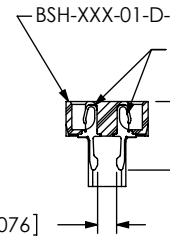
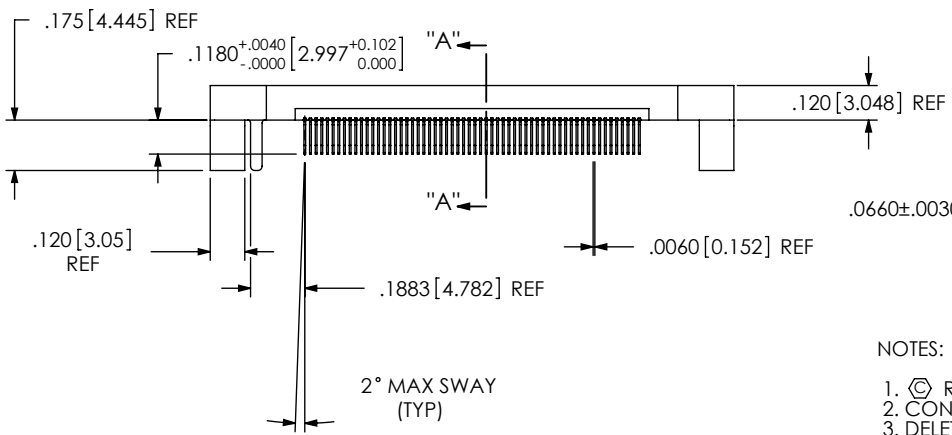
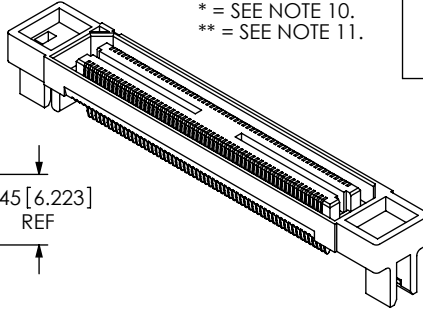
LEAD STYLE
 -01

* = SEE NOTE 10.
 ** = SEE NOTE 11.

EDGE MOUNT THICKNESS
 -EM2: .064[1.63] +/- .004 PCB
 (USE BSH-XXX-01-D-EM2 & C-162-01-X-2)
 *-EM3: (USE BSH-XXX-01-D-EM3 & C-162-02-X-2)

ROW SPECIFICATION
 -D: DOUBLE (USE BSH-XXX-01-D-EMX)

PLATING SPECIFICATION
 -L: LIGHT SELECTIVE GOLD WITH MATTE TIN TAILS
 (USE C-162-XX-L-2)
 -F: FLASH SELECTIVE GOLD WITH MATTE TIN TAILS
 (USE C-162-XX-F-2)
 -H: HEAVY GOLD
 (USE C-162-XX-H-2)

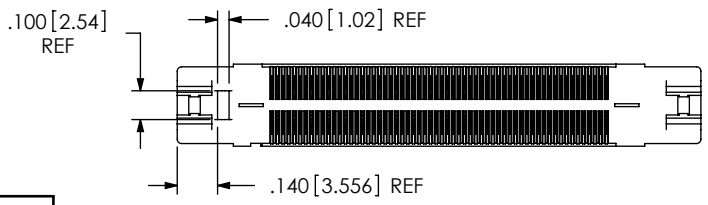


SECTION "A-A"
 EDGE MOUNT THICKNESS
 -EM2: .064[1.63] +/- .004 PCB

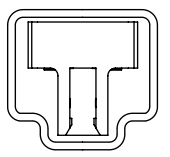
SECTION "A-A"
 EDGE MOUNT THICKNESS
 -EM3:
 SEE NOTE 10

NOTES:

1. (C) REPRESENTS A CRITICAL DIMENSION.
2. CONTACT RETENTION: 4 OZ MIN.
3. DELETED.
4. PARTS ARE "MOLD TO POSITION".
5. MAX VARIANCE OF .002.
6. -L PLATING CAN BE SUBSTITUTED FOR -F PLATING.
7. NOTE DELETED.
8. BOARD THICKNESS TO BE MEASURED FROM SOLDER PAD TO SOLDER PAD.
9. SEE http://www.samtec.com/processing/edgemt_tectalk/index.htm FOR INFORMATION ON PROCESSING EDGE MOUNT PARTS TO BOARDS.
10. -EM3 IS NOT A STANDARD OFFERING; AVAILABLE AS AN ASP ONLY. PLEASE CONTACT SAMTEC INTERCONNECT PROCESSING GROUP WITH ORDER INQUIRIES.
11. FOR NEW APPLICATIONS REQUIRING THESE POSITIONS, PLEASE CONTACT SAMTEC INTERCONNECT PROCESSING GROUP.



PACKAGING VIEW



TUBE: PT-1-24-02-38
 PLUG: TP-03

UNLESS OTHERWISE SPECIFIED, DIMENSIONS ARE IN INCHES. TOLERANCES ARE: DECIMALS ANGLES .XX: ±.01[.3] 2° .XXX: ±.005[.13] .XXXX: ±.0020[.051]	PROPRIETARY NOTE THIS DOCUMENT CONTAINS INFORMATION CONFIDENTIAL AND PROPRIETARY TO SAMTEC, INC. AND SHALL NOT BE REPRODUCED OR TRANSFERRED TO OTHER DOCUMENTS OR DISCLOSED TO OTHERS OR USED FOR ANY PURPOSE OTHER THAN THAT WHICH IT WAS OBTAINED WITHOUT THE EXPRESSED WRITTEN CONSENT OF SAMTEC, INC.		
		520 PARK EAST BLVD, NEW ALBANY, IN 47150 PHONE: 812-944-6733 FAX: 812-948-5047 e-Mail: info@SAMTEC.com code: 53322	
MATERIAL: DO NOT SCALE DRAWING SHEET SCALE: 1.5:1 INSULATOR: VECTRA E130i; COLOR: BLACK CONTACT: PHOS BRONZE, 510 SPRING TEMPER THICKNESS: .0060		DESCRIPTION: .5mm EDGE MOUNT MI SOCKET ASSEMBLY	
		DWG. NO. BSH-XXX-01-X-D-EMX	
		BY: DEAN P 5/31/2000	SHEET 1 OF 1