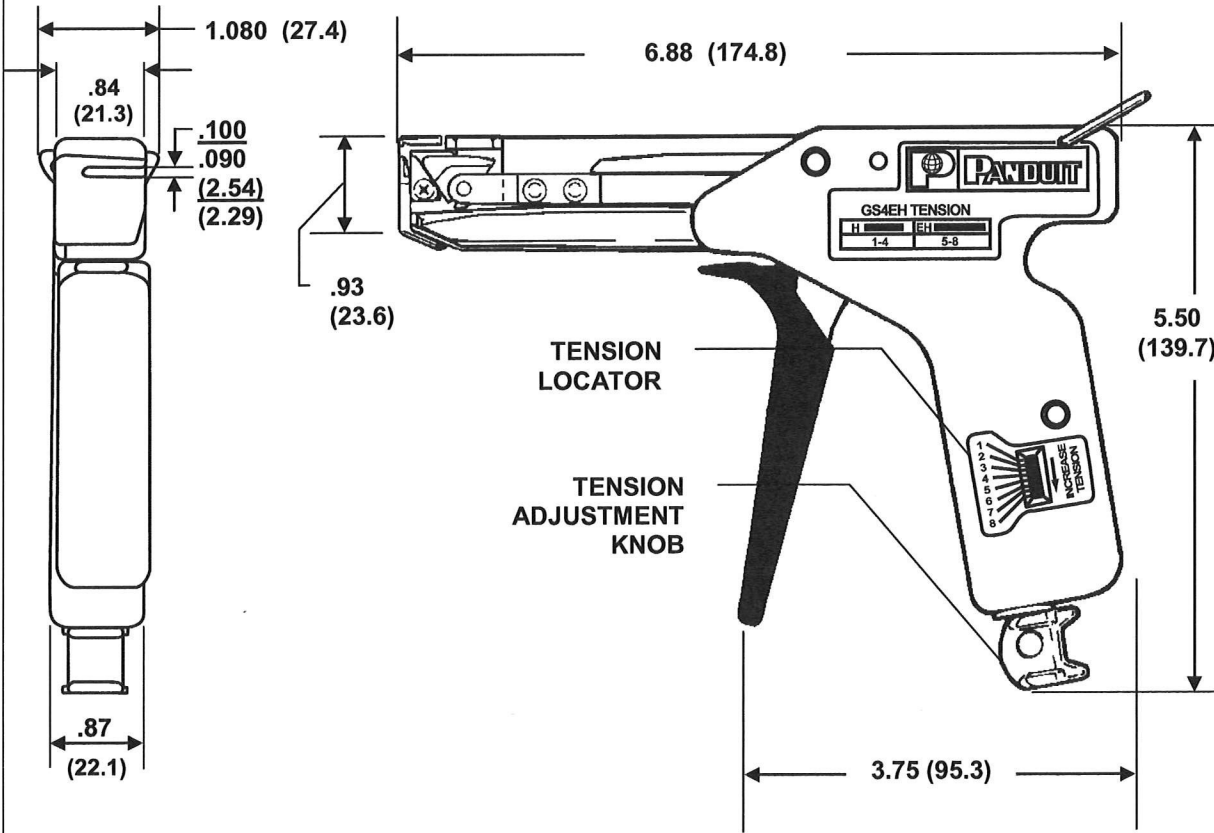


THIS COPY IS PROVIDED ON A RESTRICTED BASIS AND IS NOT TO BE USED IN ANY WAY DETRIMENTAL TO THE INTERESTS OF PANDUIT CORP.



SPECIFICATIONS:

PANDUIT TOOL NO.: GS4EH
 TOOL WEIGHT: 16 oz. (454 gr.)

INSTALLS LIGHT-HEAVY, HEAVY AND EXTRA-HEAVY CROSS SECTION CABLE TIES.

CABLE TIE CROSS SECTION CODE:

- LH = LIGHT-HEAVY
- H = HEAVY
- EH = EXTRA-HEAVY

- THIS TOOL TIGHTENS CABLE TIES AND CUTS OFF EXCESS PORTION WHEN PRESET TENSION IS ATTAINED.
- SUPPLIED WITH SELECTOR KNOB FOR TENSION ADJUSTMENT.

DIMENSIONS SHOWN IN PARENTHESES ARE METRIC.

F:\RVUSERS\ENGDWGS\CUSTDWGS\GSH-08267A-CD_09.doc

| | | | | | | GS4EH CABLE TIE INSTALLATION TOOL | | | | | | |
|-----|---------|-----|--------------------|--------------------|-------------------------|---|------------------|---|------------|---------------|------------|-----------|
| | | | | | | CUSTOMER DRAWING | | | | | | |
| | | | | | | ITEM REVISION NAME: GSH-08267A-CD_09 | | PANDUIT | | | | |
| | | | | | | UNLESS OTHERWISE SPECIFIED, DIMENSIONAL TOLERANCES ARE: (.x) ± -- (.xxx) ± -- (.xx) ± -- ANGLES ± -- | | MATERIAL: ----- | | | | |
| | | | | | | THIRD ANGLE PROJECTION | | DRAWING NUMBER: GSH-08267A-CD | | | | |
| 09 | 2-06-13 | BLR | <i>[Signature]</i> | <i>[Signature]</i> | UPD TEMPLATE & BRANDING | 4608 | | | | | | |
| REV | DATE | BY | CHK | APR | DESCRIPTION | ECN | DRAWN BY: BLR | DATE: 2-26-04 | CHK ABJ | SCALE NONE | SHT 1 OF 1 | SIZE A |