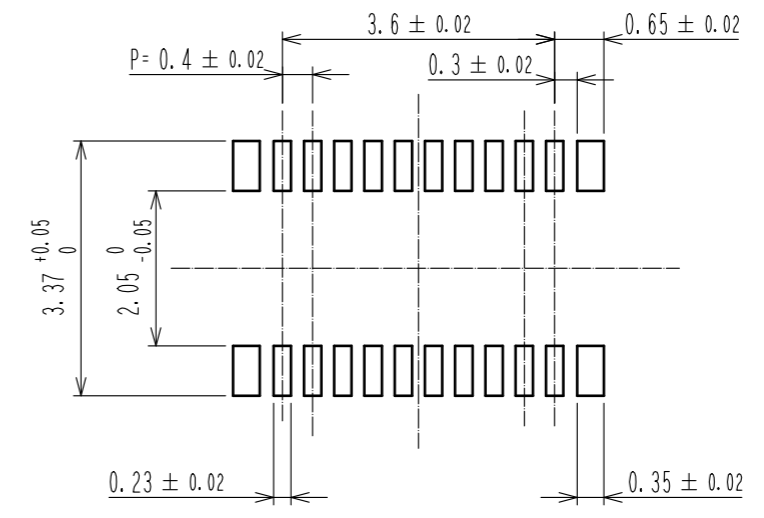
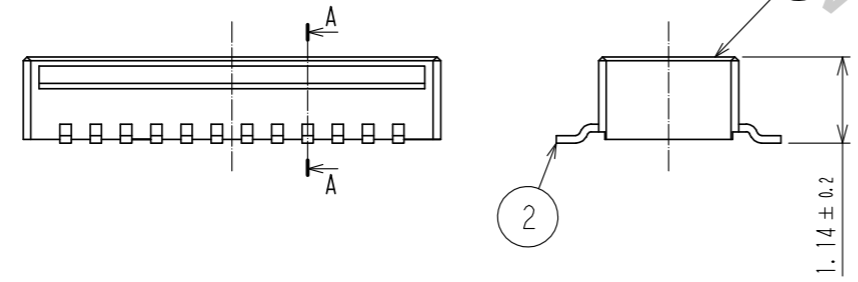


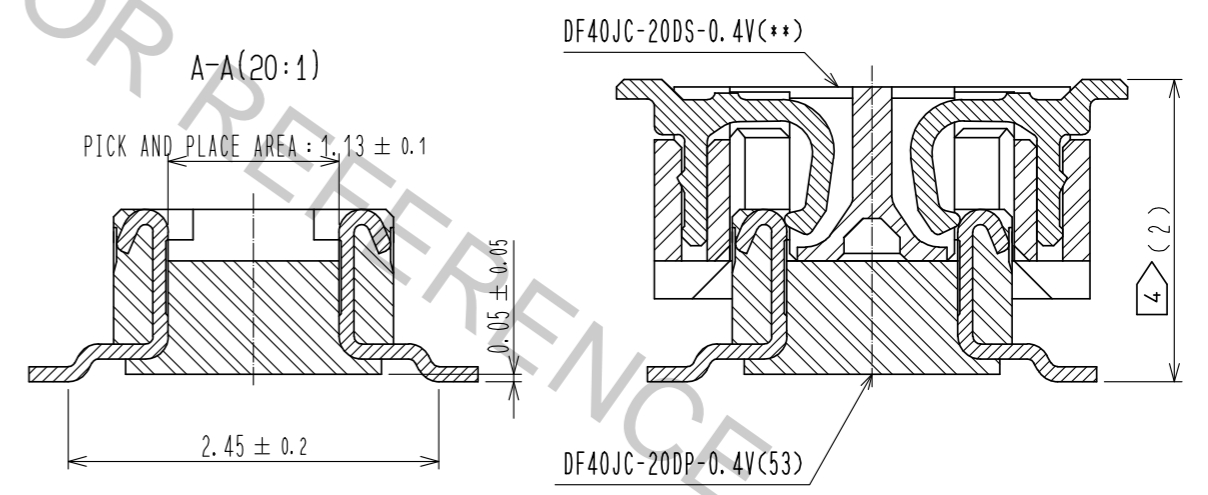
RECOMMENDED PATTERN



RECOMMENDED METAL MASK THICKNESS: 120 μm  
 RECOMMENDED METAL MASK OPENING RATIO: 80% FOR LEAD PAD



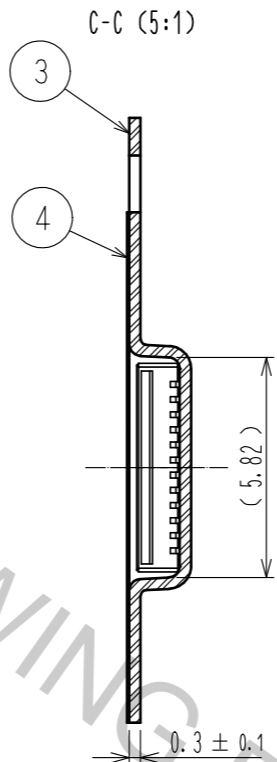
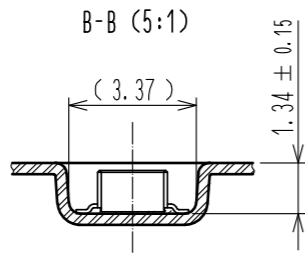
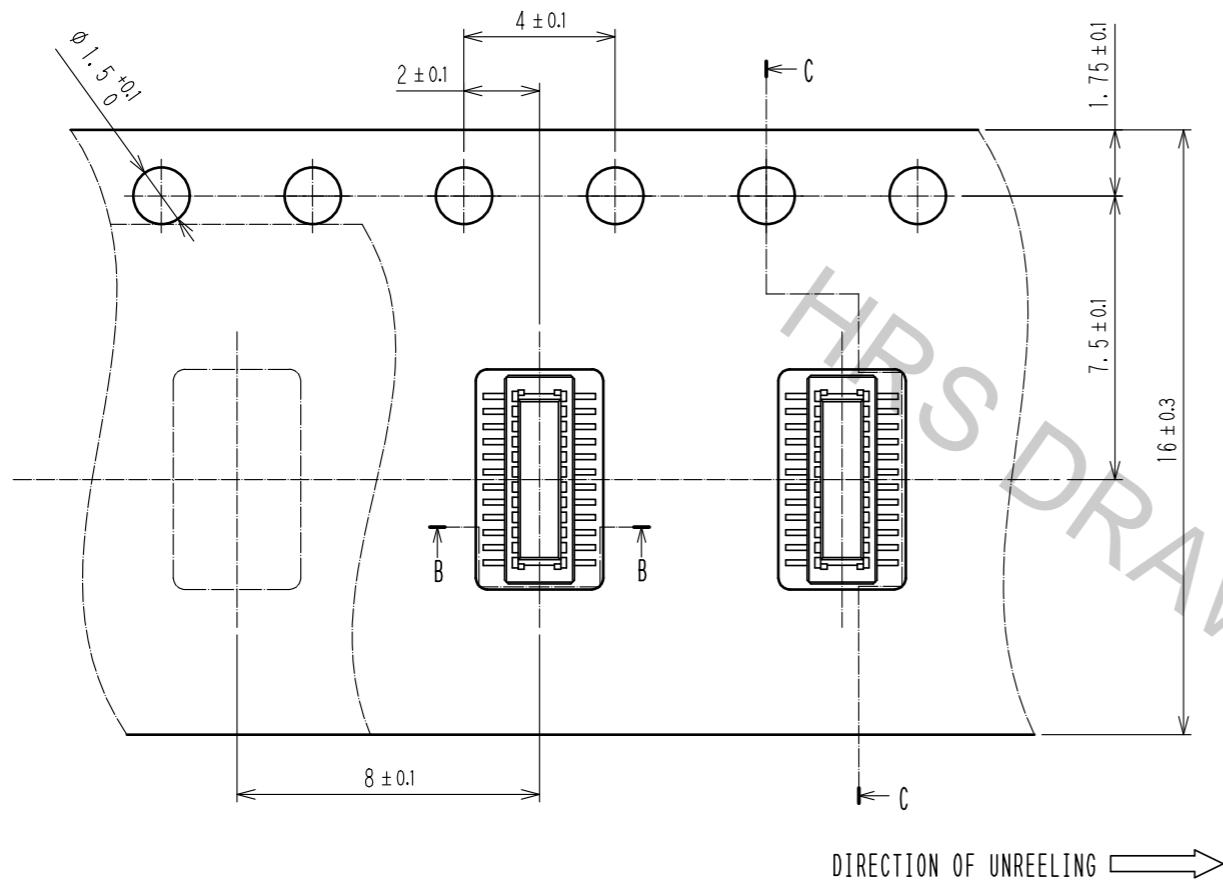
ENGAGEMENT FIGURE (20:1)



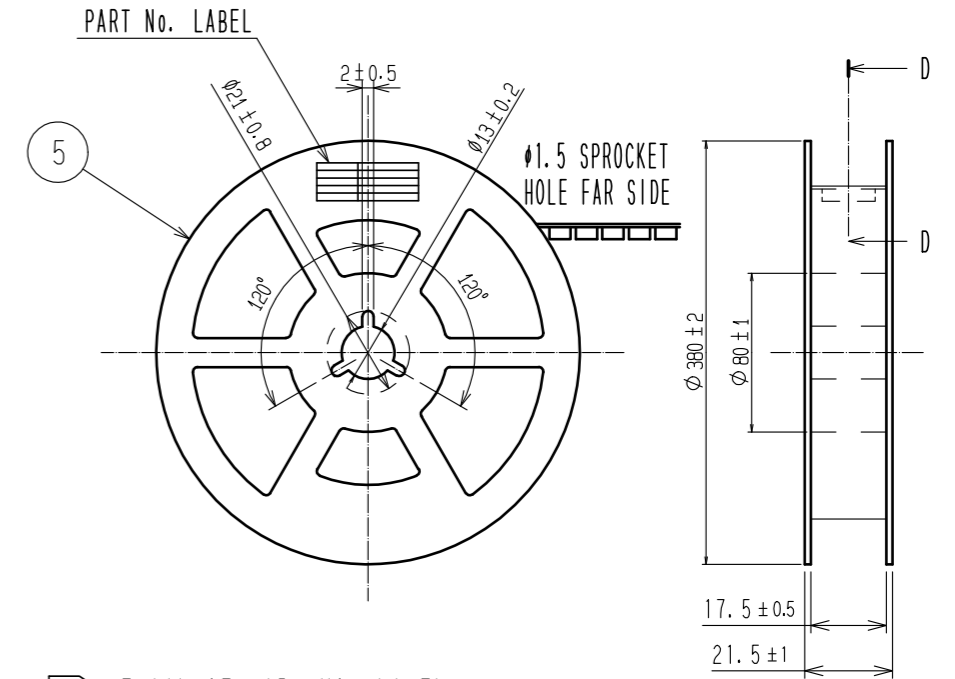
- NOTES) 1. ALL LEADS CO-PLANARITY SHALL BE 0.1mm MAX.  
 2. EACH ONE CONTACT AT 4 CORNERS SHALL BE USED AS METAL HOLD DOWN.  
 3. HRS MARK AND CAV NO. IS INDICATED IN APPROXIMAL POSITION SHOWN.  
 4. THE DIMENSIONS INDICATED IN THE FIGURE IS REFERENCE.  
 AN ELECTRIC PERFORMANCE IS GUARANTEED BY BEING MAINTAINED AS SHOWN IN THE FIGURE.

2	PHOSPHOR BRONZE	CONTACT AREA: PdNi0.76 μm+AuPO.05 μm MIN	6	PS	CLEAR, REINFORCEMENT COLLAR			
		SMT LEAD: PdNi0.76 μm+AuPO.05 μm MIN	5	PS	BLACK, PLASTIC REEL			
		UNDERPLATING: NICKEL 2 μm MIN	4	POLYESTER	CLEAR, COVER TAPE			
1	LCP	BLACK, UL94V-0	3	PS	CLEAR, EMBOSSED CARRIER TAPE			
NO.	MATERIAL	FINISH . REMARKS	NO.	MATERIAL	FINISH . REMARKS			
UNITS mm		SCALE 10 : 1	COUNT 	DESCRIPTION OF REVISIONS		DESIGNED	CHECKED	DATE
<b>HRS</b> HIROSE ELECTRIC CO., LTD.		APPROVED : MO. ISHIDA	15.07.16	DRAWING NO. EDC-315642-53-01				
		CHECED : TS. MIYAZAKI	15.07.16	PART NO. DF40JC-20DP-0.4V(53)				
		DESIGNED : SH. HOSODA	15.07.16	CODE NO. CL684-4068-9-53				
		DRAWN : KR. AJITO	15.07.16					

EMBOSSED CARRIER TAPE PACKAGING(5:1)

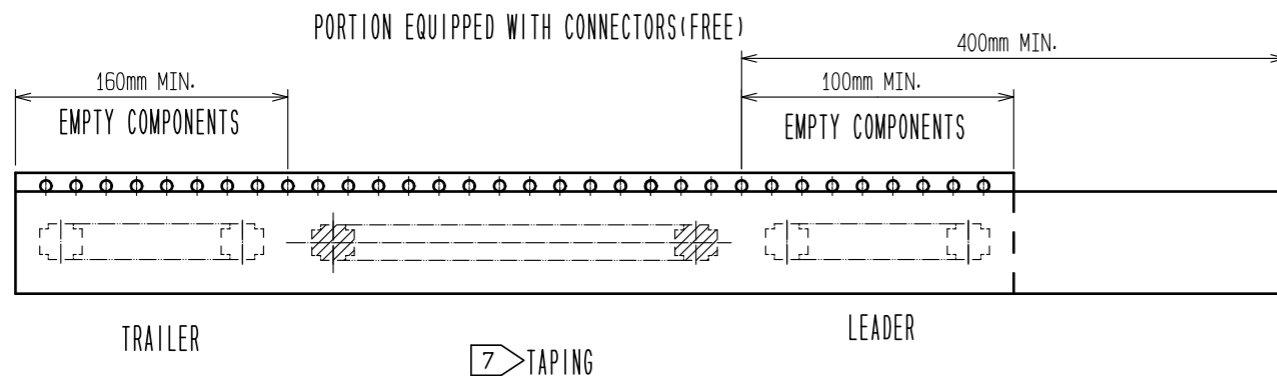
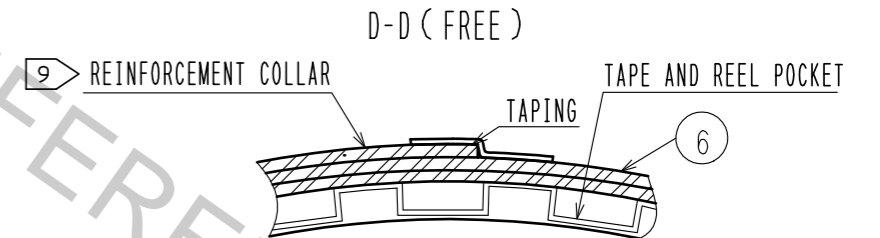


STYLE AND DIMENSIONS OF REEL (FREE)



8 > DETAIL OF PART NO. LABEL

製造年月日	** ** *
製品コード	CL684-4068-9-53
製品名	DF40JC-20DP-0.4V(53)
数量	200個
納入者	ヒロセ電機(株)



- NOTES
5. PER REEL 200 CONNECTORS.
  6. THE DIMENSIONS IN PARENTHESES ARE FOR REFERENCE.
  - 7 > REFER TO JIS C 0806, IEC 60286-3(PACKING OF COMPONENTS FOR AUTOMATIC HANDLING)
  - 8 > DETAIL OF PART NO. LABEL IS WRITTEN IN JAPANESE  
PART NO. LABEL DESCRIBES THE FOLLOWING INFORMATION FROM TOP.  
PRODUCTION DATE:  
PRODUCT CODE: CL684-4068-9-53  
PART NUMBER: DF40JC-20DP-0.4V(53)  
NUMBER OF PIECES: 200 PIECES  
SUPPLIER NAME: HIROSE ELECTRIC CO., LTD..
  - 9 > AFTER PACKAGING, ROLL 2 METERS OF THE REINFORCEMENT COLLAR TO OUTER CIRCUMFERENCE OF TAPE AND REEL POCKET, AND TAPE DOWN AT THE END THE COLLAR.

<b>HRS</b>	DRAWING NO.	EDC-315642-53-01
	PART NO.	DF40JC-20DP-0.4V(53)
	CODE NO.	CL684-4068-9-53
		2/2