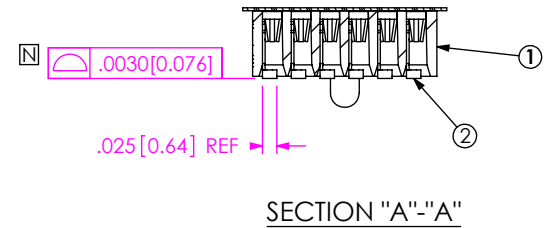
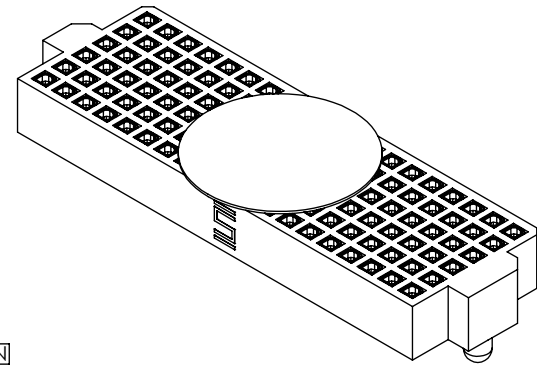
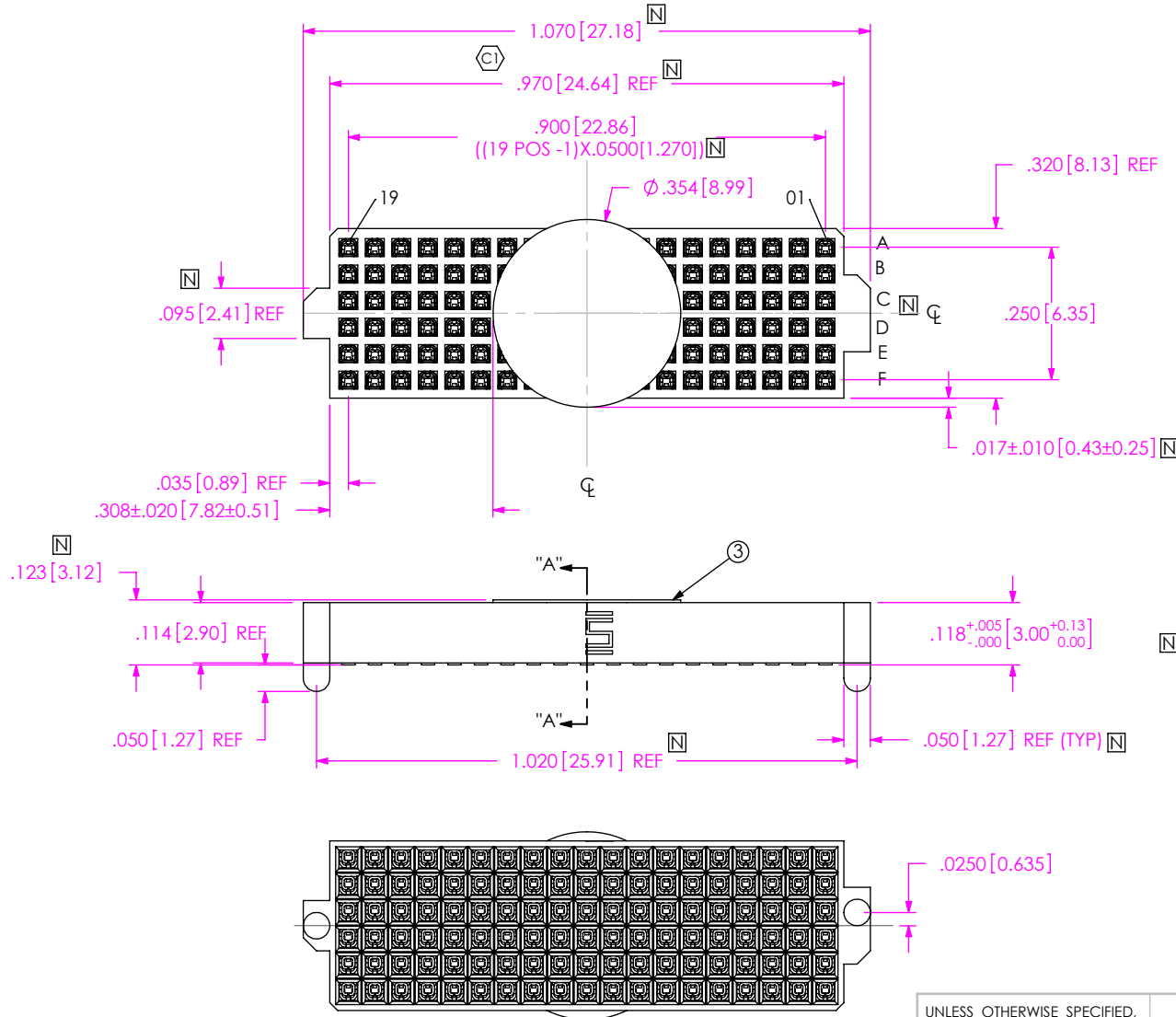


NOTES: [N]

1. ASP-105990-01-B NOT AVAILABLE AS STANDARD.
2. Ⓢ REPRESENTS A CRITICAL DIMENSION.
3. NOTE DELETED
4. BURR ALLOWANCE: .0015[0.038] MAX.
5. MINIMUM PUSHOUT FORCE: .5 LB [2.22 N]
6. MAXIMUM ALLOWABLE BOW: .002 [0.051] INCH/INCH AFTER ASSEMBLY.
7. CONTACT NOT ALLOWED TO PROTRUDE FROM TOP OF BODY.
8. PARTS TO BE PACKAGED IN TAPE & REEL. FOR QTY'S LESS THAN 125 PCS, NO TRAILER OR LEADER WILL BE SUPPLIED

THIS CONNECTOR IS NOT CAPABLE OF WITHSTANDING TYPICAL LEAD FREE PROCESSING TEMPERATURES.

DO NOT SCALE FROM THIS PRINT



ITEM NO.	PART NUMBER	QUANTITY	MATERIAL
1	ASP-105990-01-B	1.0000	VECTRA E130i, COLOR BLACK [N]
2	C-118-01-H	114.00	BeCu #25, 1/2 HARD, AGE HARDENED
3	K-850-650	1.0000	POLYIMIDE FILM (KAPTON)
4	CT-ASP1233MS	1.0000	CONDUCTIVE POLYMER

UNLESS OTHERWISE SPECIFIED, DIMENSIONS ARE IN INCHES. TOLERANCES ARE:
 DECIMALS ANGLES
 .XX: $\pm .01 [.3]$ 2°
 .XXX: $\pm .005 [.13]$
 .XXXX: $\pm .0020 [.051]$

PROPRIETARY NOTE
 THIS DOCUMENT CONTAINS INFORMATION CONFIDENTIAL AND PROPRIETARY TO SAMTEC, INC. AND SHALL NOT BE REPRODUCED OR TRANSFERRED TO OTHER DOCUMENTS OR DISCLOSED TO OTHERS OR USED FOR ANY PURPOSE OTHER THAN THAT WHICH IT WAS OBTAINED WITHOUT THE EXPRESSED WRITTEN CONSENT OF SAMTEC, INC.



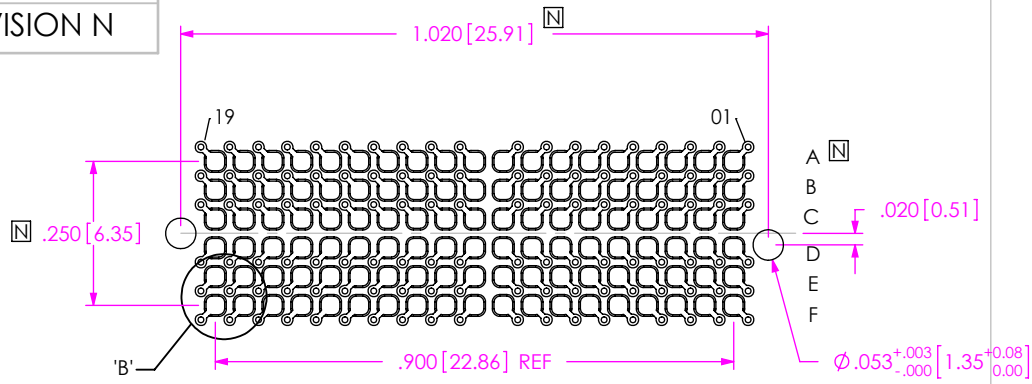
520 PARK EAST BLVD, NEW ALBANY, IN 47150
 PHONE: 812-944-6733 FAX: 812-948-5047
 e-Mail: info@SAMTEC.com code: 55322

DO NOT SCALE DRAWING SHEET SCALE: 3:1
 PLATING:
 CONTACT AREA: .000030 GOLD OVER .000050 NICKEL
 REMAINDER: .000003 FLASH GOLD OVER .000050 NICKEL

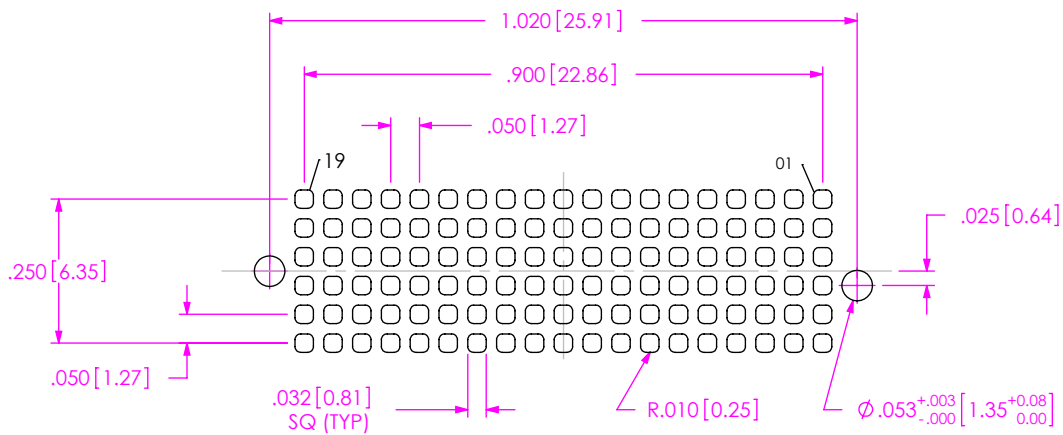
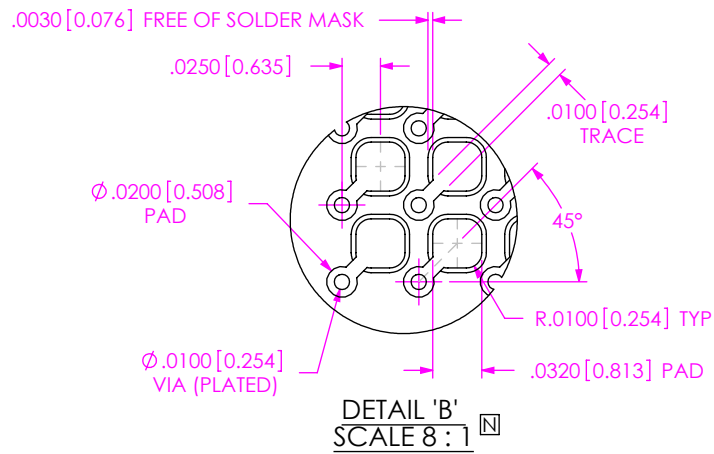
DESCRIPTION:
 VITA 42 (NO SOLDERBALL) SOCKET ASSEMBLY

DWG. NO. **ASP-105884-01**

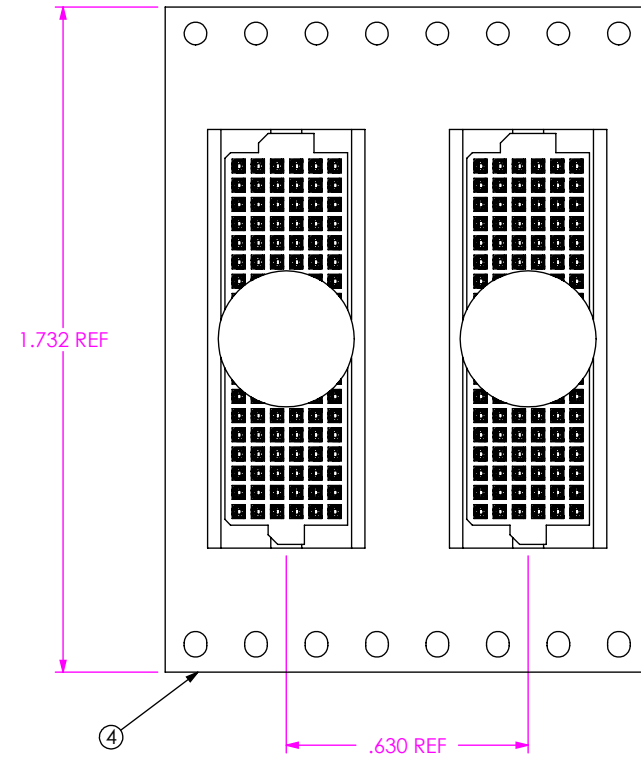
BY: T.WERNE 4/8/2003 SHEET 1 OF 2



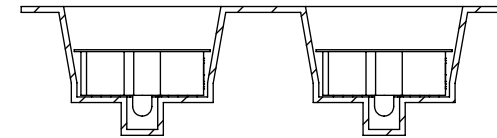
RECOMMENDED BOARD LAYOUT



RECOMMENDED STENCIL LAYOUT N
 STENCIL TO BE .0060 [0.152] THICK



USER DIRECTION OF UN-REELING →
 POCKET NOT DETAILED



PACKAGING VIEW
 SCALE: 2:1

PROPRIETARY NOTE

THIS DOCUMENT CONTAINS INFORMATION CONFIDENTIAL AND PROPRIETARY TO SAMTEC, INC. AND SHALL NOT BE REPRODUCED OR TRANSFERRED TO OTHER DOCUMENTS OR DISCLOSED TO OTHERS OR USED FOR ANY PURPOSE OTHER THAN THAT WHICH IT WAS OBTAINED WITHOUT THE EXPRESSED WRITTEN CONSENT OF SAMTEC, INC.



520 PARK EAST BLVD, NEW ALBANY, IN 47150
 PHONE: 812-944-6733 FAX: 812-948-5047
 e-Mail: info@SAMTEC.com code: 55322

SHEET SCALE: 3:1

DESCRIPTION:
 VITA 42 (NO SOLDERBALL) SOCKET ASSEMBLY

DWG. NO.
 ASP-105884-01