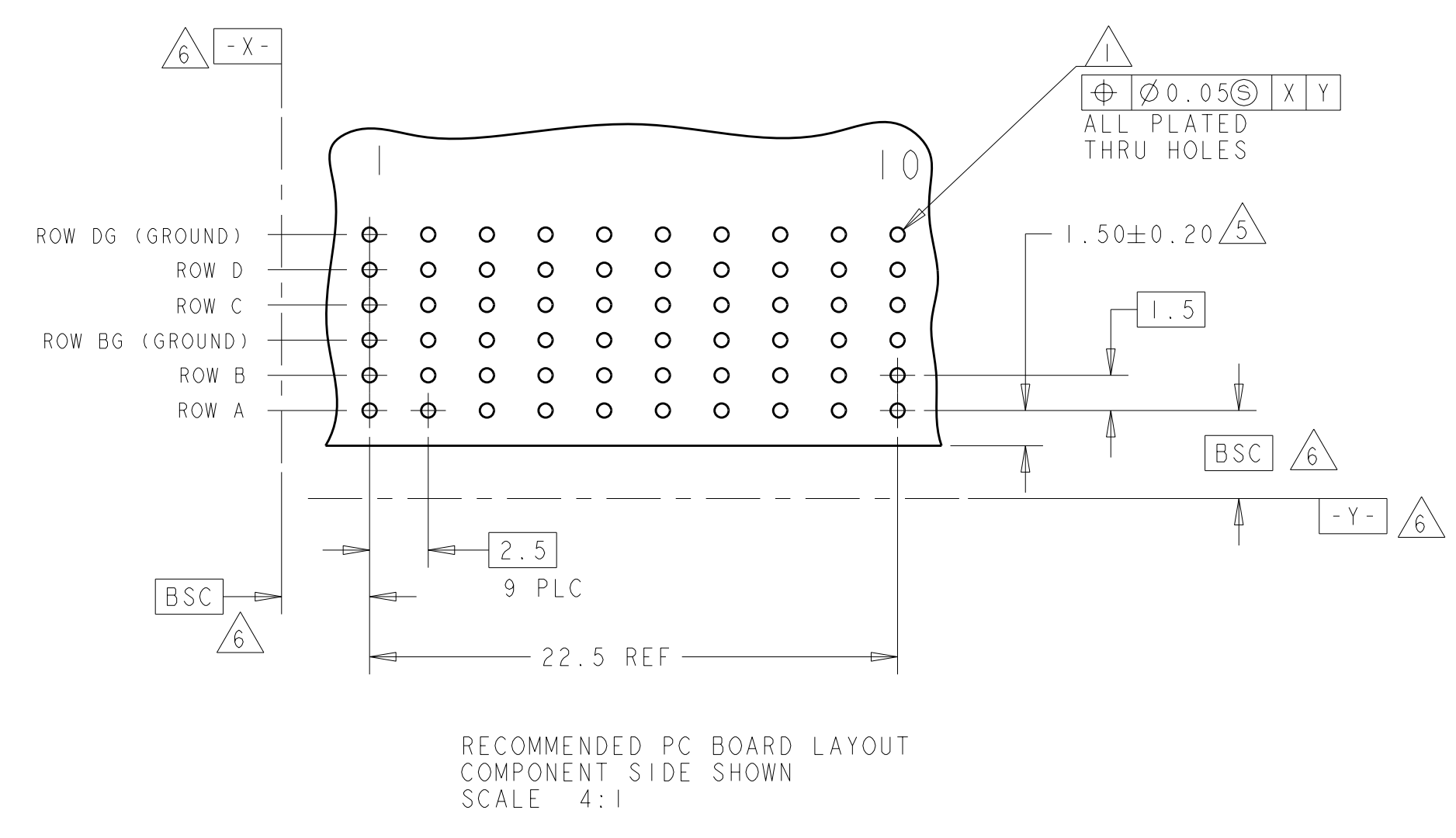
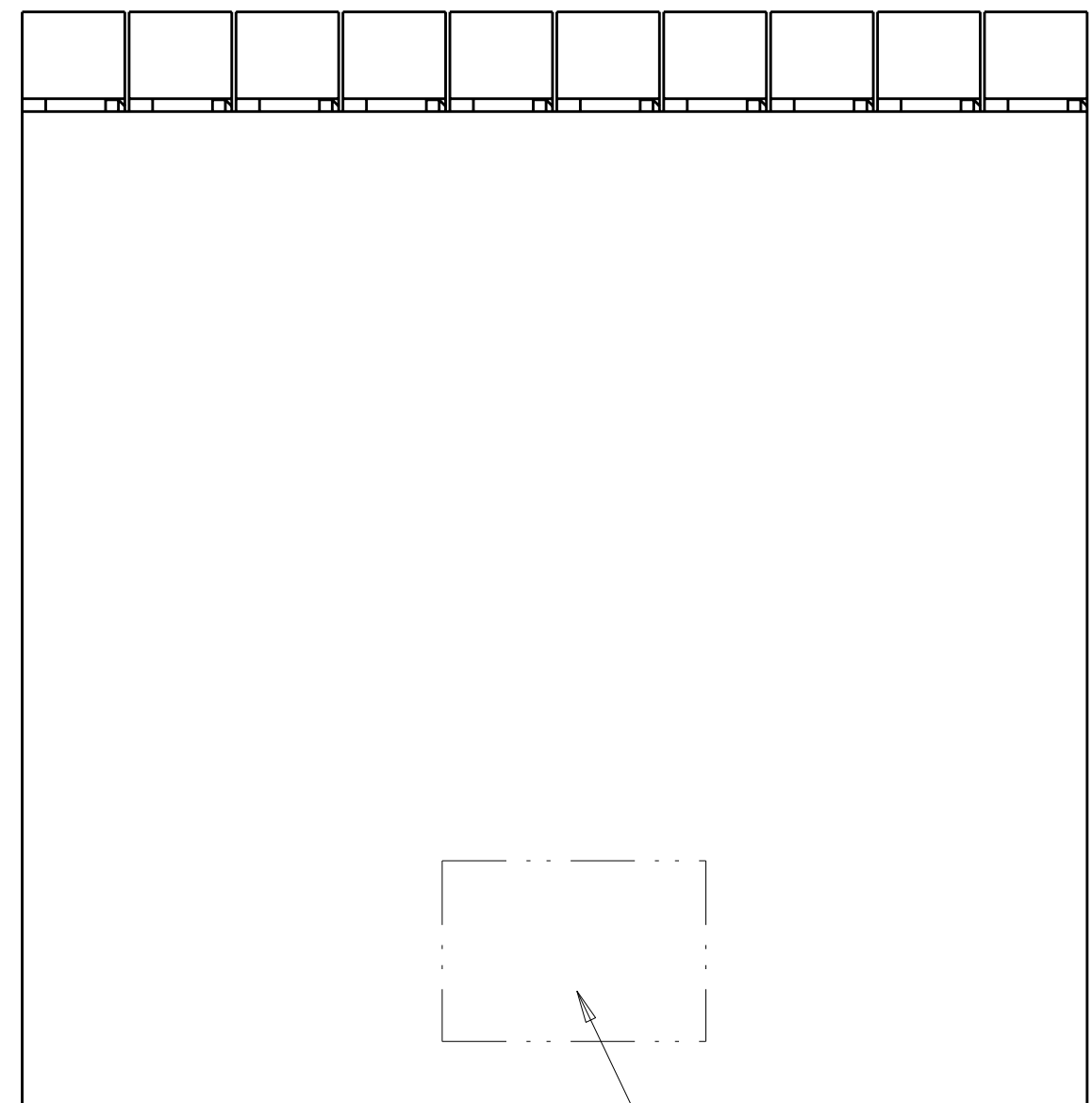
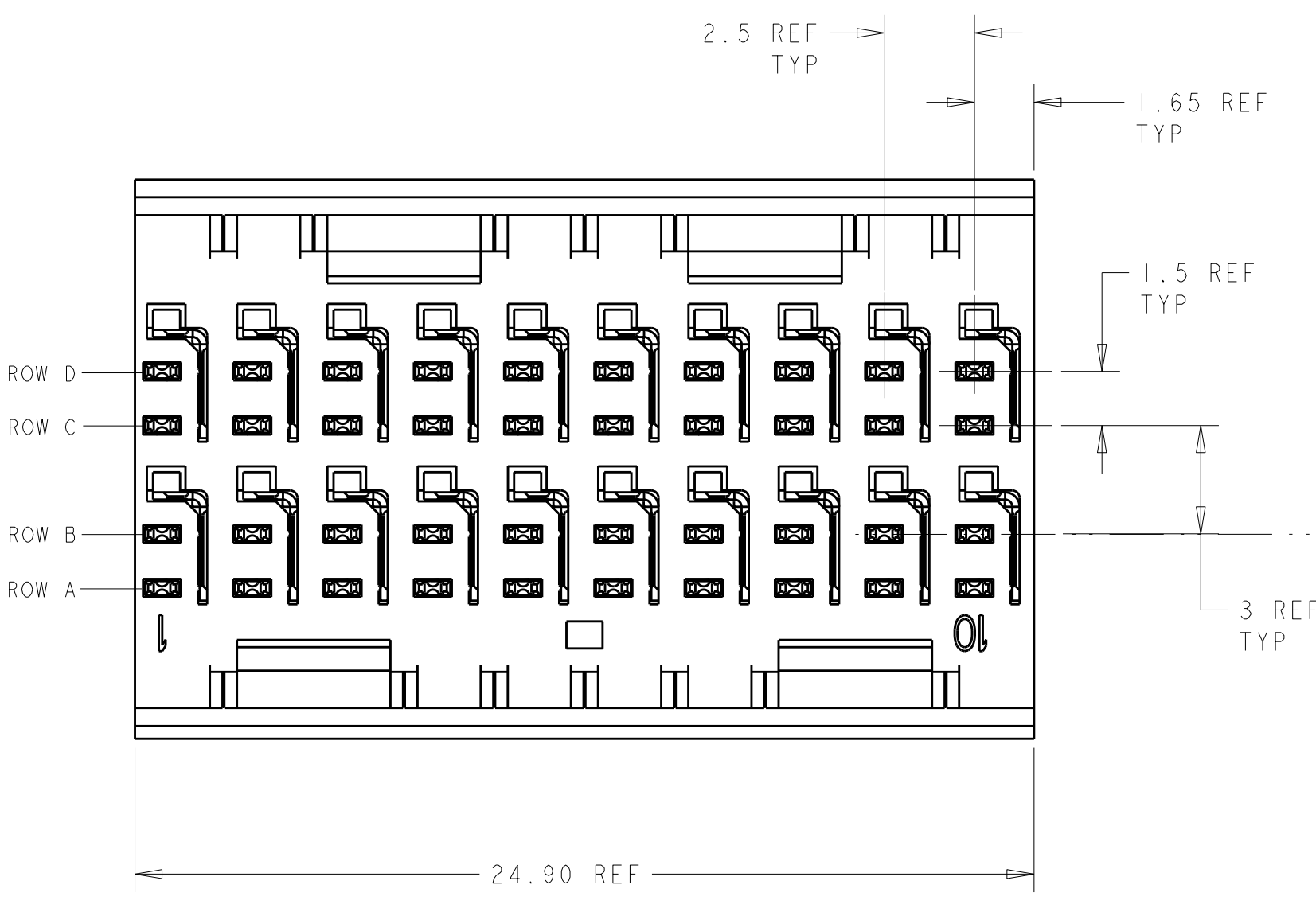


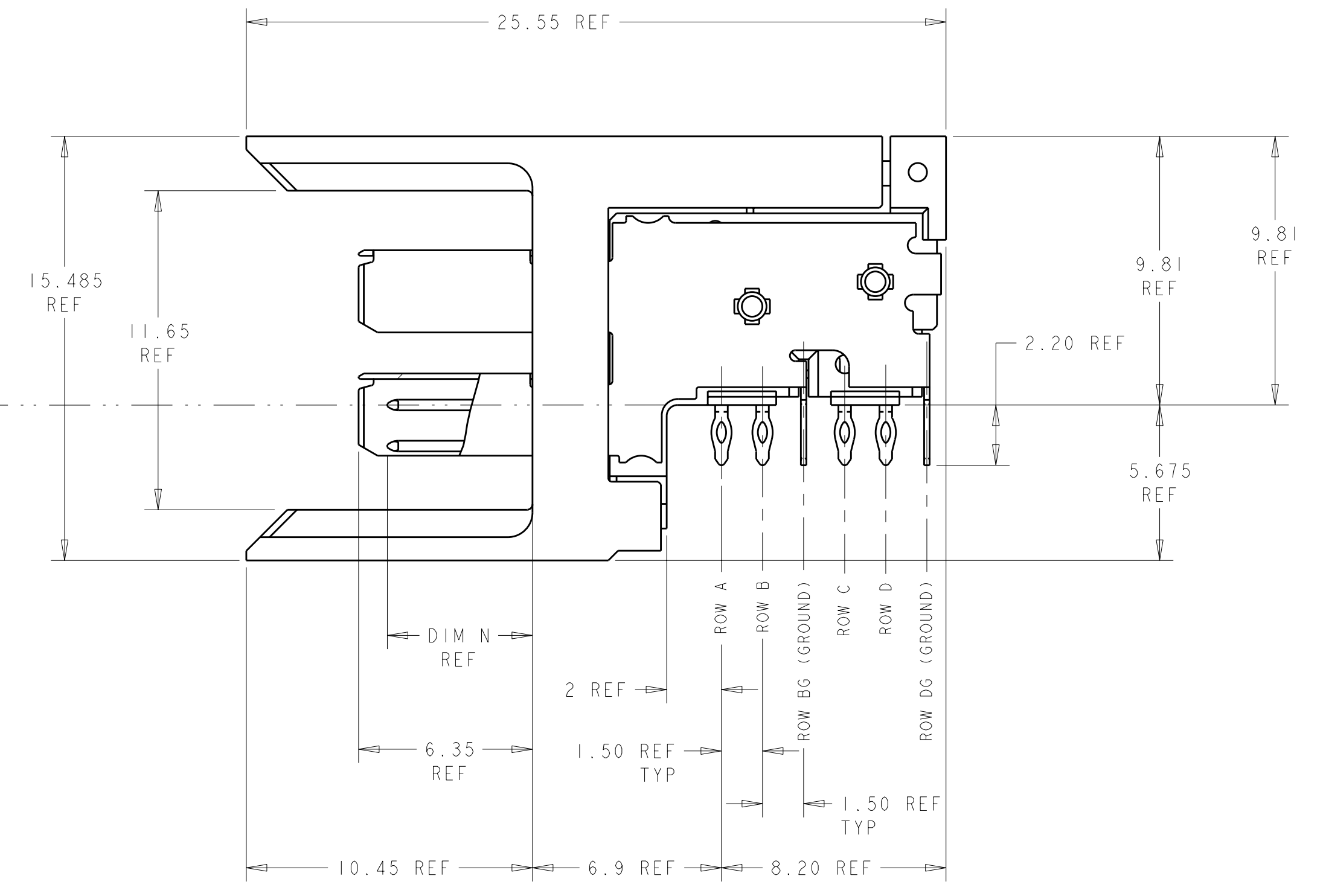
LOC	DIST	REV	DATE	BY	APPD
AD	00	A	13APR2011	RKC	JE



- 1. REFERENCE APPLICATION SPEC 114-13059 FOR RECOMMENDED PLATED THRU HOLE DIAMETER AND PLATING THICKNESSES.
- 2. MATERIAL:  
 CONTACT & SHIELD - PHOSPHOR BRONZE  
 HOUSING & CHICKLET - GLASS FILLED POLYESTER
- 3. FINISH: SIGNAL AND GROUND CONTACTS:  
 MATING AREA: MEETS THE PERFORMANCE REQUIREMENTS OF PRODUCT SPECIFICATION 108-2055; BASED ON TELCORDIA GR-1217-CORE, APPLICATIONS IN UNCONTROLLED ENVIRONMENTS  
 COMPLIANT PIN AREA: 0.5 μm MIN MATTE TIN OVER BASE PLATING
- 4. CONNECTOR MARKED WITH PART NUMBER AND DATE CODE IN APPROXIMATE AREA SHOWN
- 5. DIMENSION APPLIES TO CENTERLINE OF THRU HOLE
- 6. DATUMS AND BASIC DIMENSIONS ESTABLISHED BY CUSTOMER
- 7. CONTACT AREA LUBRICATED WITH BELLCORE APPROVED LUBRICANT. TECHNICAL REFERENCE: GR-1217-CORE, ISSUE 1, NOVEMBER 1995



TOP SURFACE OF DAUGHTER CARD



6469169-1  
 PART NUMBER

THIS DRAWING IS A CONTROLLED DOCUMENT.		DWN S. J. MAGARO 18JUL2004	NAME HEADER ASSEMBLY, RIGHT ANGLE, 2 PAIR, COPLANAR, HMZd
DIMENSIONS: mm		CHK R. A. PATTERSON 18JUL2004	PRODUCT SPEC
TOLERANCES UNLESS OTHERWISE SPECIFIED: 9 PLC ± 3 PLC ± 5 PLC ± 4 PLC ± ANGLES ± FINISH		APVD P. PATTERSON 31MAR2006	APPLICATION SPEC
MATERIAL		WEIGHT	SIZE A100779
CUSTOMER DRAWING		SCALE 6:1	RESTRICTED TO REV A