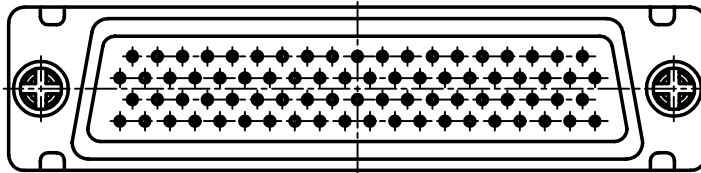
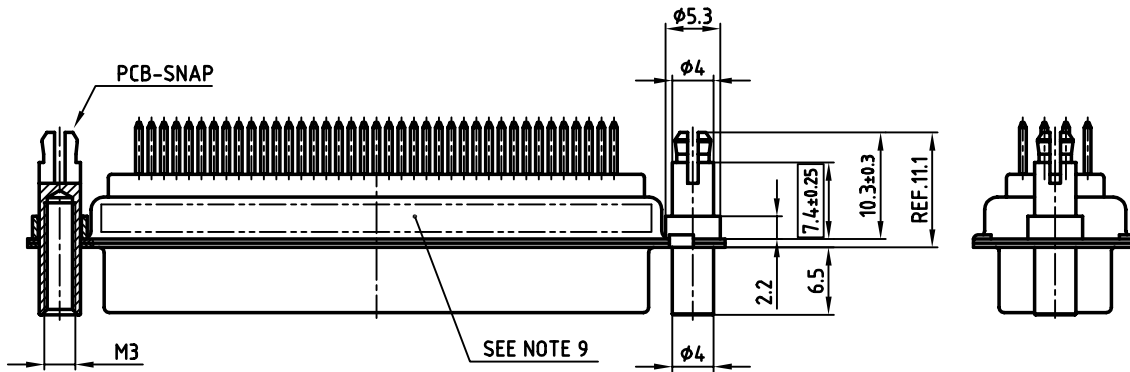
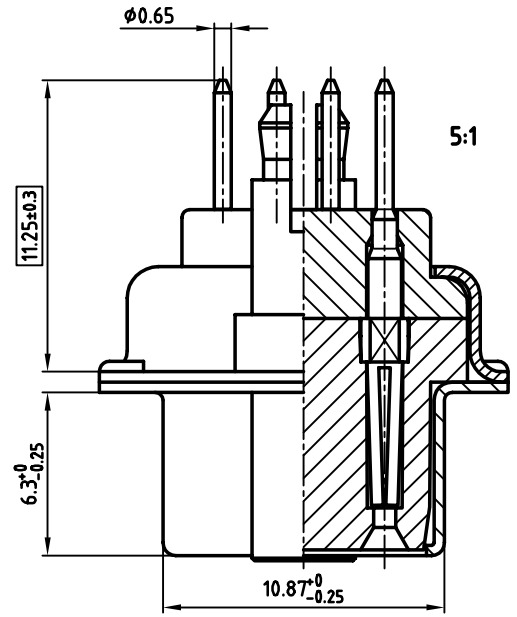
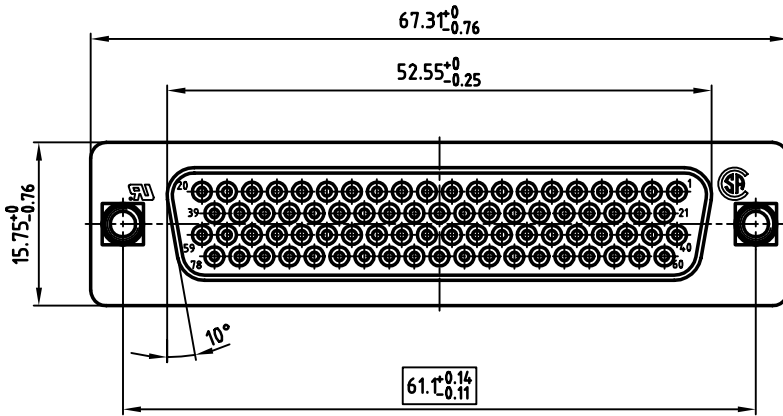


**NOTES:**

1. METALSHELLS: STEEL; min. 320µ" TIN
2. INSULATORS: PBT GF UL 94 V-0, BLACK
3. CONTACTS: COPPER ALLOY
4. PLATING: min. 8µ" HARD GOLD OVER min. 50µ" NICKEL
5. THREADED LOCK/SPACER CLIP: COPPER ALLOY; min. 200µ" TIN over 80µ" NICKEL  
PCB-HOLE:  $\phi 3.1 \pm 0.1$ ; PCB THICKNESS 1.6mm
6. COLLAR: COPPER ALLOY; min. 200µ" TIN over 80µ" NICKEL
7. P.C.B. HOLE DRILLINGS ON SHEET 2
8. MAXIMUM TORQUE VALUE FOR THREAD: 6" LBS
9. CONNECTOR IS PART MARKED: 164A17549X CONEC Y/WW
10.  = CRITICAL DIMENSION

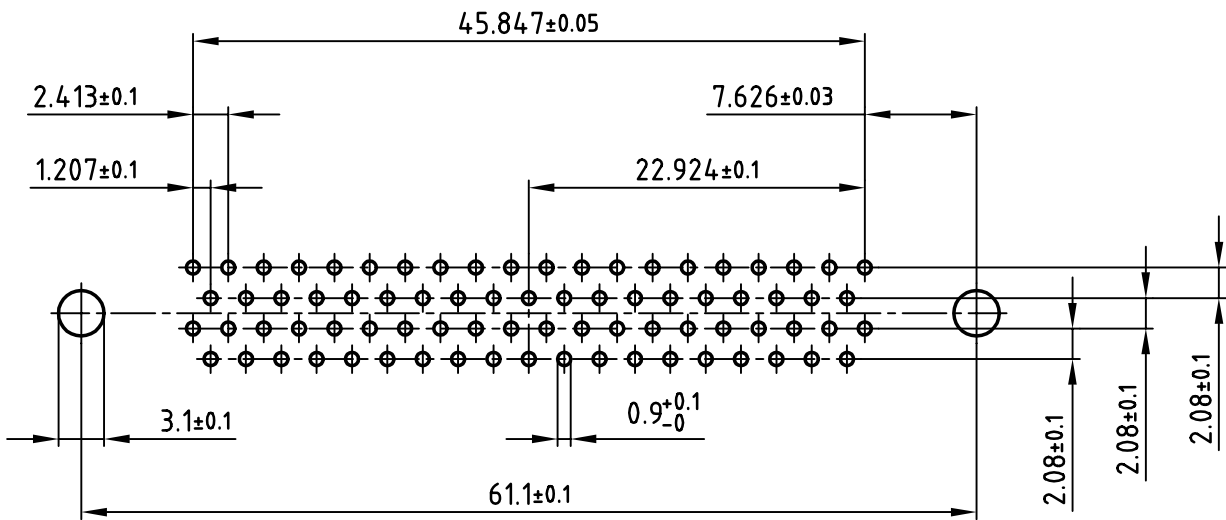
used for: D-SUB HD



THIS DRAWING MAY NOT BE COPIED OR REPRODUCED IN ANY WAY, AND MAY NOT BE PASSED ON TO A THIRD PARTY, WITHOUT WRITTEN PERMISSION. OWNERSHIP AND COPYRIGHT OF CONEC GmbH DO NOT ALTER CAD DRAWING BY HAND	tolerance				scale: 2:1 (5:1)
					material: SEE NOTES
	2002	date	name		title: <b>D-SUB HD FEMALE</b> 78pos. SOLDER PIN STRAIGHT with threaded lock and spacer clip
	drawn	02.05.	Parei		
	appd.	02.05.	E. Mickenbecker		
norm	DIN 41652				
		d-old		dwg no: AutoCAD 2000	DIN-A
				16K1A565	
				part no: 164A17549X	
rev.	description	date	name		3 sh:1/2

Directive 2002/95/EC  
"RoHS"  
Compliant

used for: D-SUB HD



THIS DRAWING MAY NOT BE COPIED OR REPRODUCED IN ANY WAY, AND MAY NOT BE PASSED ON TO A THIRD PARTY WITHOUT WRITTEN PERMISSION. OWNERSHIP AND COPYRIGHT OF CONEC GmbH DO NOT ALTER CAD DRAWING BY HAND

			tolerance	
2002	date	name		
drawn	02.05.	Parei		
appd.	02.05.	E. Mickenbecker		
norm	DIN 41652			
d-old				
rev.	description	date	name	



scale:	2:1	
material:	SEE SHEET 1	
title:	P.C.B. HOLE DRILLINGS D-SUB HD FEMALE 78pos. SOLDER PIN with threaded lock and spacer clip	
dwg no:	AutoCAD 2000	DIN-A
	16K1A565	4
		sh:2/2
part no:	SEE SHEET 1	