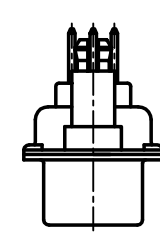
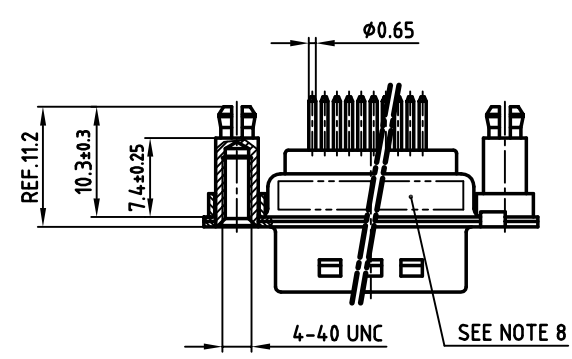
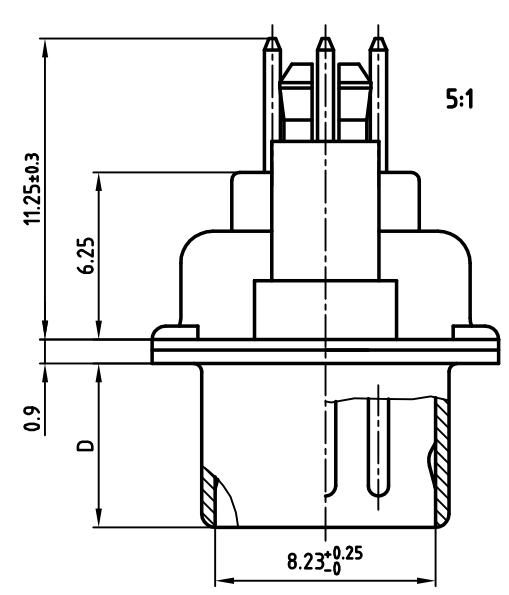
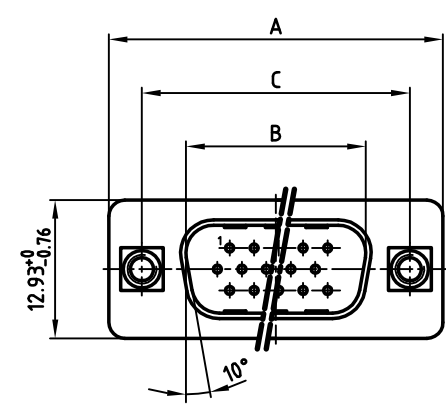


used for: D-SUB HD



**NOTES:**

1. METALSHELLS: STEEL; min. 320µ" TIN
2. INSULATORS: PBT GF UL 94 V-0, BLACK
3. CONTACTS: COPPER ALLOY  
PLATING: 8µ" HARD GOLD OVER min. 50µ" NICKEL
4. THREADED SPACER CLIP: COPPER ALLOY; min. 200µ" TIN over 80µ" NICKEL  
PCB-HOLE:  $\phi 3.1 \pm 0.1$ ; PCB THICKNESS 1.6mm
5. COLLAR: COPPER ALLOY; min. 200µ" TIN over 80µ" NICKEL
6. P.C.B. HOLE DRILLINGS ON DRAWING NO.: 16V1H5B
7. MAXIMUM TORQUE VALUE FOR THREAD: 6" LBS
8. CONNECTOR IS PART MARKED: PART-NO. CONEC ABC

POS.	A $-0.76$	B $+0.25$	C	D $-0.3$	Part NO.
15	31.19	16.79	25.00 $+0.12/-0.13$	6.12	<b>163A16949X</b>
26	39.52	25.12	33.30 $+0.15/-0.1$	6.12	<b>163A16959X</b>
44	53.42	38.84	47.04 $\pm 0.13$	5.99	<b>163A16969X</b>
62	69.70	55.30	63.50 $\pm 0.13$	5.99	<b>163A16979X</b>

APPROVAL \* FREIGABE \* DEBLOCAGE \* AUTORIZACION \* APPROVAL

CUSTOMER APPROVAL DATE:

NAME: \_\_\_\_\_ TITLE: \_\_\_\_\_

COMPANY NAME: \_\_\_\_\_

APPROVAL \* FREIGABE \* DEBLOCAGE \* AUTORIZACION \* APPROVAL

THIS DRAWING MAY NOT BE COPIED OR REPRODUCED IN ANY WAY, AND MAY NOT BE PASSED ON TO A THIRD PARTY WITHOUT WRITTEN PERMISSION.  
 OWNERSHIP AND COPYRIGHT OF CONEC GmbH  
 DO NOT ALTER CAD DRAWING BY HAND

rev.	description	date	name

tolerance	dim. in mm
2005	date
drawn	16.03.
name	Lehmenkühler
appd.	16.03.
name	Mickenbecker
norm	DIN 41652
d-old	

scale: 2:1 (5:1)

material: SEE NOTES

title: **D-SUB HD MALE**  
15-62pos. SOLDER PIN STRAIGHT  
with threaded spacer clip

dwg no: AutoCAD 2004 DIN-A  
3 sh: 1/1

**16K2A645**

part no: SEE TABLE

