

PLEASE CHECK WWW.MOLEX.COM FOR LATEST PART INFORMATION

Part Number: [62100-5700](#)
Status: **Active**
Description: AMC B+ Removal Tool

Documents:
[RoHS Certificate of Compliance \(PDF\)](#)

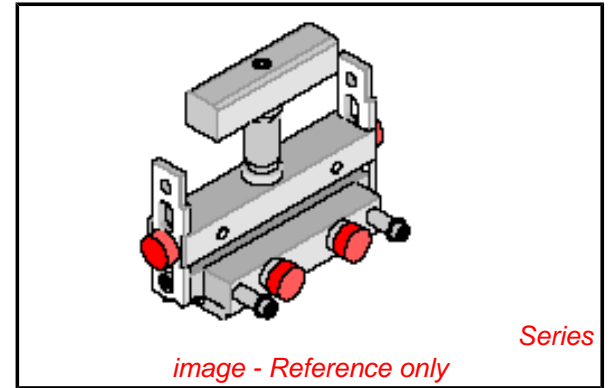
General

Product Family	Application Tooling
Series	T3002
Comments	See Tooling Specification (PDF) Above
Function	Removal
Geographic Area	Global
Level of Automation	Manual
More Detailed Tech Information	applicationtooling@molex.com
Product Name	AMC B+
Survey	www.molex.com//review/apptool_survey.html
Tool Type	Handtool
UPC	800756838861

Material Info

Reference - Drawing Numbers

Application Tooling Documents	ATS-621005700
-------------------------------	---------------



EU RoHS	China RoHS
----------------	-------------------

Compliance Status

Not Reviewed

REACH SVHC

Not Reviewed

Low-Halogen Status

Not Reviewed

Need more information on product environmental compliance?

Email productcompliance@molex.com
 For a multiple part number RoHS Certificate of Compliance, [click here](#)

Please visit the [Contact Us](#) section for any non-product compliance questions.

Search Parts in this Series

[T3002Series](#)

Use With

N/A

Application Tooling Description	FAQ Product #
--	----------------------

0.75mm Pitch Advanced	0757910002
-----------------------	------------

Mezzanine Card Connector, B+ Style, Right Angle, 170 Circuit, 0.76µm Gold (Au), Extended Height, with PCB Locator, Tin/Lead (Sn/Pb) Tail Plating

0.75mm Pitch Advanced	0759080002
-----------------------	------------

Mezzanine Card Connector, B+ Style, Right Angle, 170 Circuit, 0.76µm Gold (Au), Standard

Height, without PCB
Locator, Tin/Lead
(Sn/Pb) Tail Plating
0.75mm Pitch 0757910001
Advanced
Mezzanine Card
Connector, B+ Style,
Right Angle, 170
Circuit, 0.76µm
Gold (Au), Extended
Height, with PCB
Locator, Tin (Sn) Tail
Plating
0.75mm Pitch 0758000001
Advanced
Mezzanine Card
Connector, B+ Style,
Right Angle, 170
Circuit, 0.76µm
Gold (Au), Standard
Height, with PCB
Locator, Tin (Sn) Tail
Plating
0.75mm Pitch 0759080001
Advanced
Mezzanine Card
Connector, B+ Style,
Right Angle, 170
Circuit, 0.76um
Gold (Au), Standard
Height, without PCB
Locator, Tin (Sn) Tail
Plating

This document was generated on 03/08/2013

PLEASE CHECK WWW.MOLEX.COM FOR LATEST PART INFORMATION