

10 9 8 7 6 5 4 3 2 1

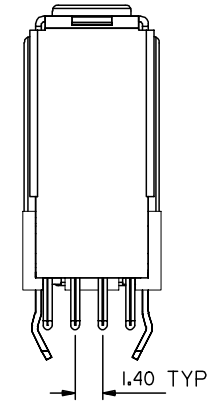
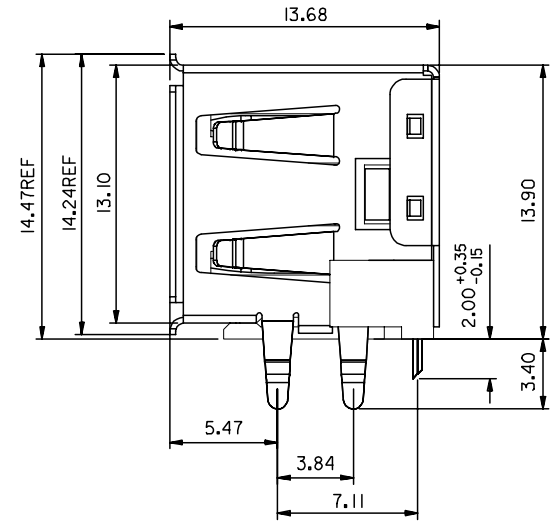
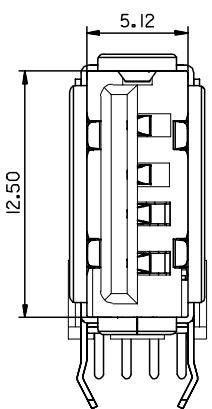
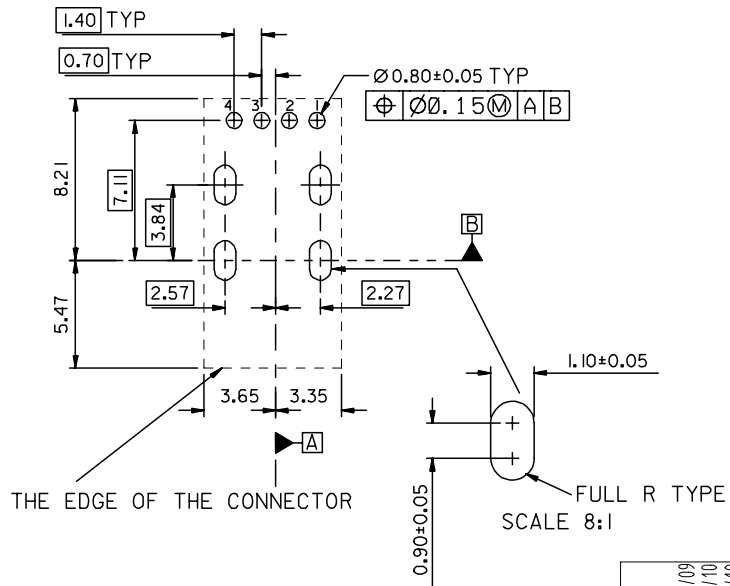
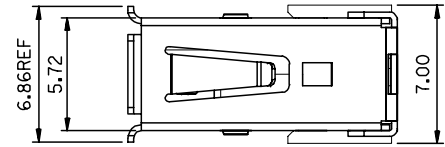
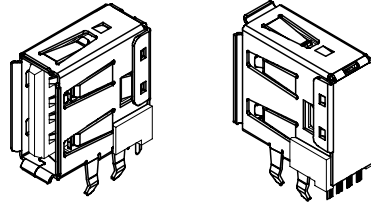
NOTES :

1. MATERIAL :

HOUSING : HIGH TEMPERTURE NYLON ,GLASS FIBER, UL94-V0 , COLOR: BLACK
 TERMINAL : PHOSPHOR BRONZE
 METAL SHELL : COPPER ALLOY

2. PLATING :

TERMINAL :
 CONTACT AREA : (a) GOLD FLASH.
 (b) GLOD (Au), THICKNESS = 30 MICROINCH/0.76 MICROMETER
 SOLDER TAIL : PURE TIN(Sn),
 THICKNESS= 75 MICROINCH /1.9 MICROMETER
 UNDER PLATE : NICKEL (Ni), THICKNESS= 50 MICROINCH/1.27 MICROMETER
 METAL SHELL :
 PURE TIN(Sn), THICKNESS=50-100MICROINCH/1.27-2.54MICROMETER.
 UNDER PLATE : NICKEL (Ni), THICKNESS= 50 MICROINCH/1.27 MICROMETER
 3 RECOMMENDED PCB THICKNESS : 1.20±0.05mm & 1.60±0.05 mm
 4 PRODUCT SPECIFICATION : REFER TO PS-89485
 5 PACKAGING SPECIFICATION : REFER TO PK-67329-001



PART NUMBER LEGEND:

P/N	CONTACT PLATING
67329-8000	GOLD FLASH
67329-8001	0.76 MICROMETER/30 MICROINCH GOLD

NEW RELEASE EC NO: 2005/12/09 DRWN:HP/IAN 2006/01/10 CHKD:HARVEY 2006/01/10 APPR:HWANG	DESCRIPTION	QUALITY SYMBOLS	GENERAL TOLERANCES (UNLESS SPECIFIED)	DIMENSION STYLE	SCALE	DESIGN UNITS	THIRD ANGLE PROJECTION	
		▽=0	mm INCH	MM ONLY	4:1	METRIC	☉	
		∇=0	4 PLACES ± --- ± ---	DRAWN BY DATE	TITLE			
			3 PLACES ± --- ± ---	QIANHUIPING 2005/12/09	USB A UPRIGHT CONN. FLANGE OUT TYPE LEAD-FREE			
		2 PLACES ± 0.25 ± ---	CHECKED BY DATE	MOLEX INCORPORATED				
		1 PLACE ± 0.25 ± ---	HARVEY 2005/12/09	MATERIAL NO. DOCUMENT NO. SHEET NO.				
		ANGULAR ± 3 °	APPROVED BY DATE	67329-800* SD-67329-801 1 OF 1				
			GARY 2005/12/09	DRAFT WHERE APPLICABLE MUST REMAIN WITHIN DIMENSIONS				
				THIS DRAWING CONTAINS INFORMATION THAT IS PROPRIETARY TO MOLEX INCORPORATED AND SHOULD NOT BE USED WITHOUT WRITTEN PERMISSION				

9 8 7 6 5 4 3 2 1