

MATERIALS AND FINISHES

BODY: ZINC ALLOY  
PLATED NICKEL

CENTER CONTACT: PHOSPHOR BRONZE  
PLATED GOLD

INSULATOR: POLYPROPYLENE (94 V-2)

HOUSING: VALOX 420-SEO  
COLOR BLACK

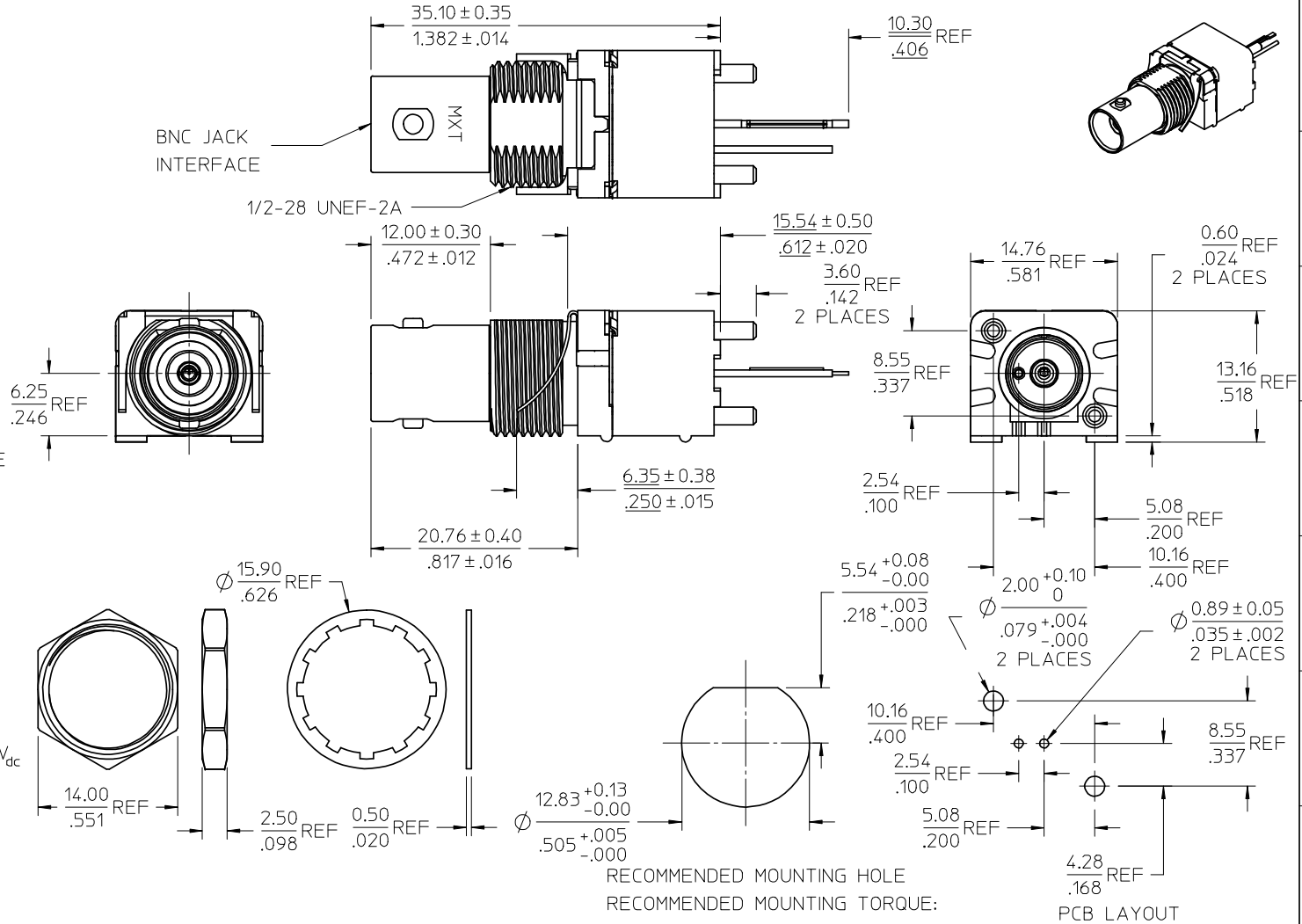
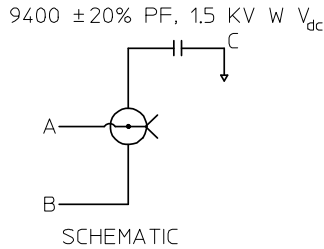
SOLDER TAIL: COPPER OVER STEEL WIRE  
PLATED TIN

FRONT CLIP, LOCK WASHER: PHOSPHOR BRONZE  
PLATED NICKEL

CHIP CAPACITOR: MULTILAYER CERAMIC

MOUNTING POST: BRASS  
PLATED TIN

JAM NUT: BRASS  
PLATED NICKEL



|               |                       |
|---------------|-----------------------|
| ES-73599-0000 | INTERFACE             |
| PS-89675-1050 | ELEC/MECH PERFORMANCE |
| SPECIFICATION | DESCRIPTION           |

|            |                         |
|------------|-------------------------|
| 73171-0441 | 73171-0440, ONE PER BAG |
| 73171-0440 | TRAY                    |
| PART NO.   | PACKAGING               |

|  |  |            |   |   |   |   |
|--|--|------------|---|---|---|---|
| CHG: RELEASE<br>DRAWING. REDREW<br>IN SD AND LOADED<br>INTO WM.<br>EC NO: URF2008-0527<br>DRAWN: ROBERTSON 2008/04/17<br>CHKD: SSS 2008/04/17<br>APPR: WIENER 2008/04/17<br>REV: A | QUALITY SYMBOLS                                      | ▽=0<br>▽=0 | GENERAL TOLERANCES<br>(UNLESS SPECIFIED)<br>mm INCH<br>4 PLACES ± --- ± ---<br>3 PLACES ± --- ± ---<br>2 PLACES ± --- ± ---<br>1 PLACE ± --- ± ---<br>ANGULAR ± 2 ° | DIMENSION STYLE<br>MM/IN<br>DRAWN BY DATE<br>EDC 1998/04/28<br>CHECKED BY DATE<br>DHG 1998/04/28<br>APPROVED BY DATE<br>GMH 1998/04/28<br>MATERIAL NO.<br>SEE TABLE<br>SIZE C THIS DRAWING CONTAINS INFORMATION THAT IS PROPRIETARY TO MOLEX INCORPORATED AND SHOULD NOT BE USED WITHOUT WRITTEN PERMISSION | SCALE<br>DESIGN UNITS<br>METRIC<br>THIRD ANGLE PROJECTION | TITLE<br>BNC JACK VERTICAL FILTER<br>RECEPTACLE 50 OHM<br>BNC-JPCBBKFL, EWR-3606<br>MOLEX MOLEX INCORPORATED<br>DOCUMENT NO.<br>SD-73171-044<br>SHEET NO.<br>1 OF 1 |
|  | DRAFT WHERE APPLICABLE MUST REMAIN WITHIN DIMENSIONS |            |   |   |   |   |
|  | MATERIAL NO. SEE TABLE                               |            |   |   |   |   |
|  | SHEET NO. 1 OF 1                                     |            |   |   |   |   |