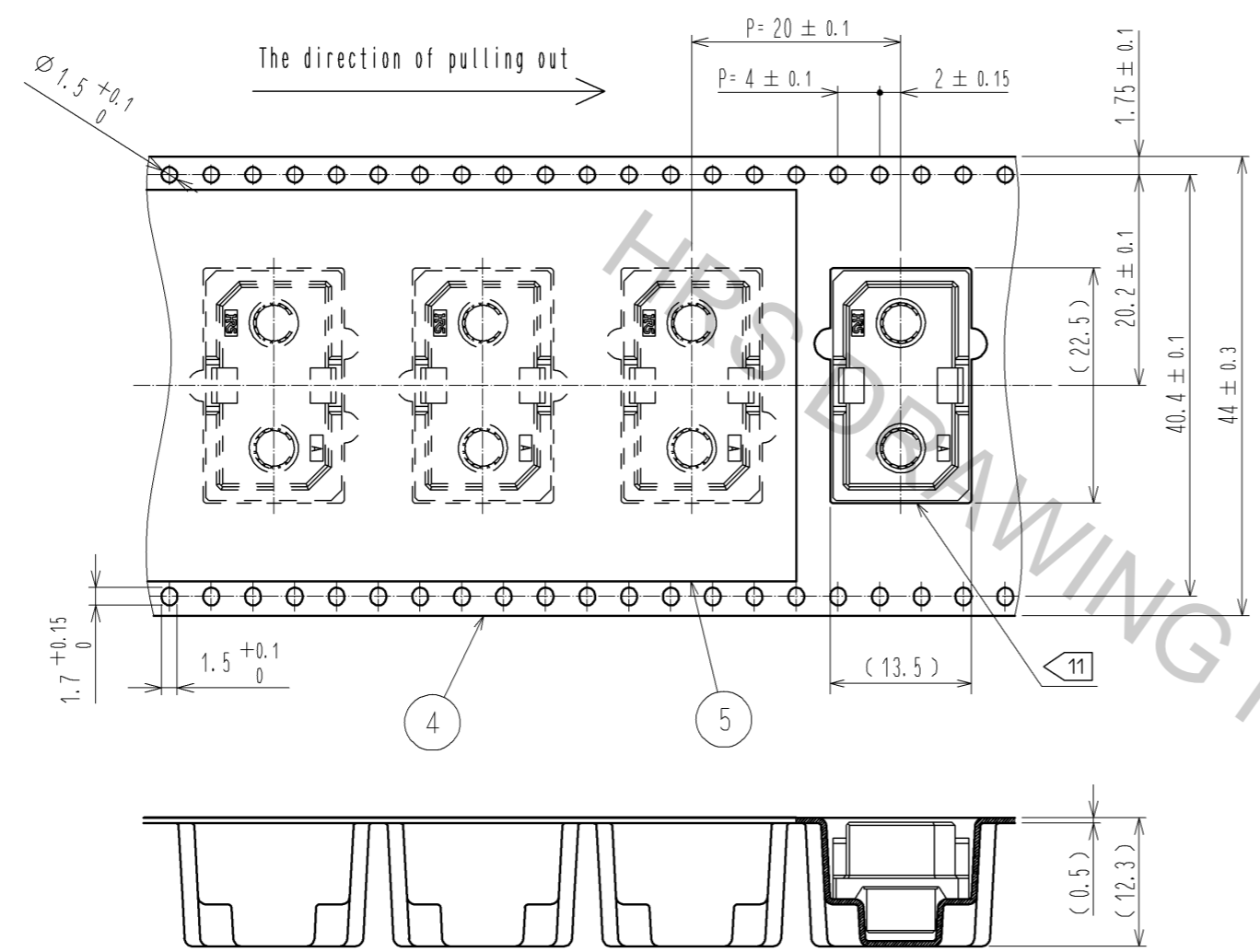


- Note.
- 1 The lot number is marked in this area. It may be marked on one or both areas.
 - 2 This area is vacuum pickup area.
 - 3 The dimensions in parentheses are for reference.
 - 4 Manufacturing process could leave scratch and/or punch marks, but they have no effect on the product performance. And the dark spots might occasionally occur on molded plastic.
 - 5 Since silver plating is used for this product, if it is left in the atmosphere for a long time, plating may become drab.
 - 6 Since this product is point symmetry, direction of mounting does not have a rule.
 - 7 This product is RoHS compliant.
 - 8 Please do not mount other devices in this area.
 - 9 Please do not mount devices higher than 4 mm in this area. Otherwise, the devices become obstacles when removing the interposer.
 - 10 Packing for this product is embossed carrier tape packing. (250pcs/RL)

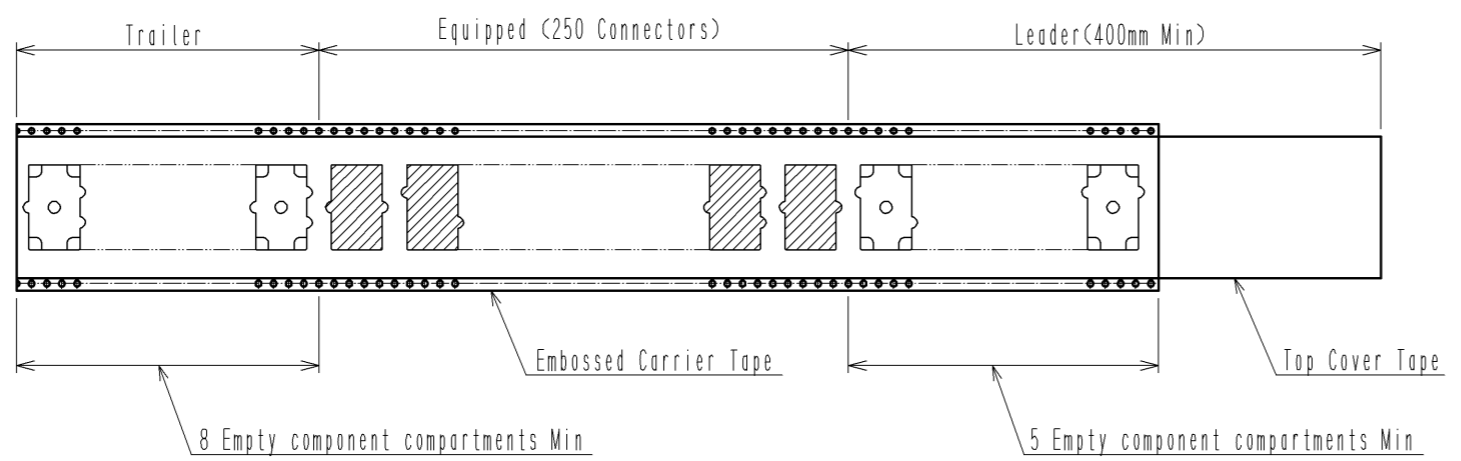
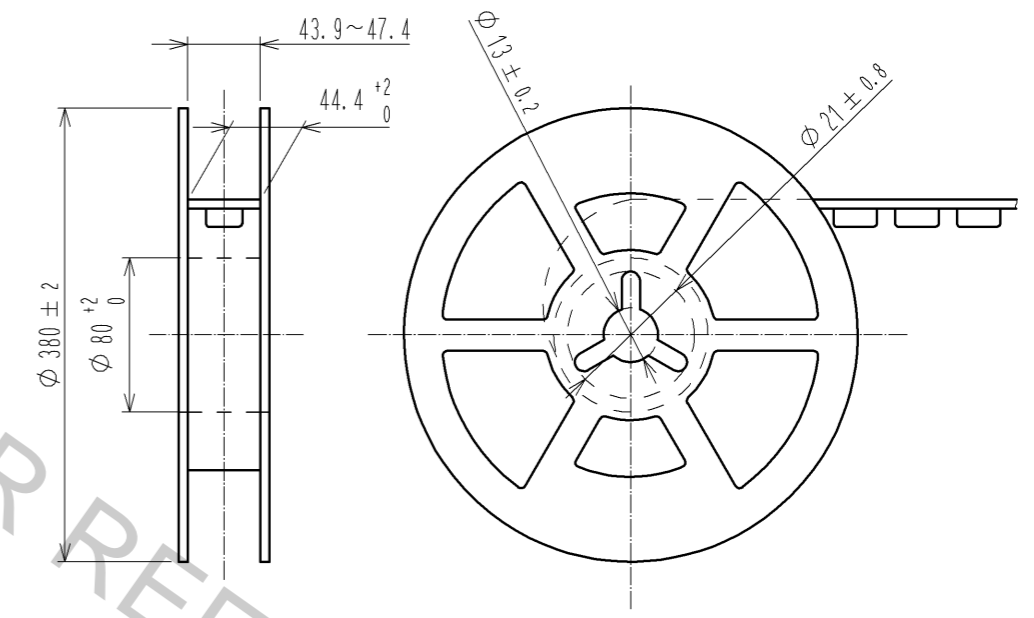
2	Brass	Over Plating : Silver 5.1μm Under Plating : Nickel 1.3μm	5	Polyester	(Top Cover Tape)
1	LCP	Black UL94V-0	4	Polystyrene	(Embossed Carrier Tape)
			3	Copper alloy	Contact Area : Gold 0.76μm Under Plating : Nickel 1.3μm
NO.	MATERIAL	FINISH . REMARKS	NO.	MATERIAL	FINISH . REMARKS
UNITS mm		SCALE 2 : 1	COUNT 	DESCRIPTION OF REVISIONS	
		APPROVED : HS. OKAWA 11.12.16	DRAWING NO. EDC3-339733-00		
HIROSE ELECTRIC CO., LTD.		CHECED : KI. HIROKAWA 11.12.15	PART NO. IT-PM-2S-DIR		
		DESIGNED : KN. SHIBUYA 11.12.15	CODE NO. CL636-0600-7-00		
		DRAWN : KN. SHIBUYA 11.12.15	1/2		

Aug.1.2018 Copyright 2018 HIROSE ELECTRIC CO., LTD. All Rights Reserved.
 In case that the application demands a high level of reliability, such as automotive,
 please contact a company representative for further information.

Drawing For Packing (Free)



Reeling Dimension (Free)



Note. 11 The insertion direction of a connector may change.

HRS	DRAWING NO.	EDC3-339733-00	△ 2/2
	PART NO.	IT-PM-2S-DIR	
	CODE NO.	CL636-0600-7-00	