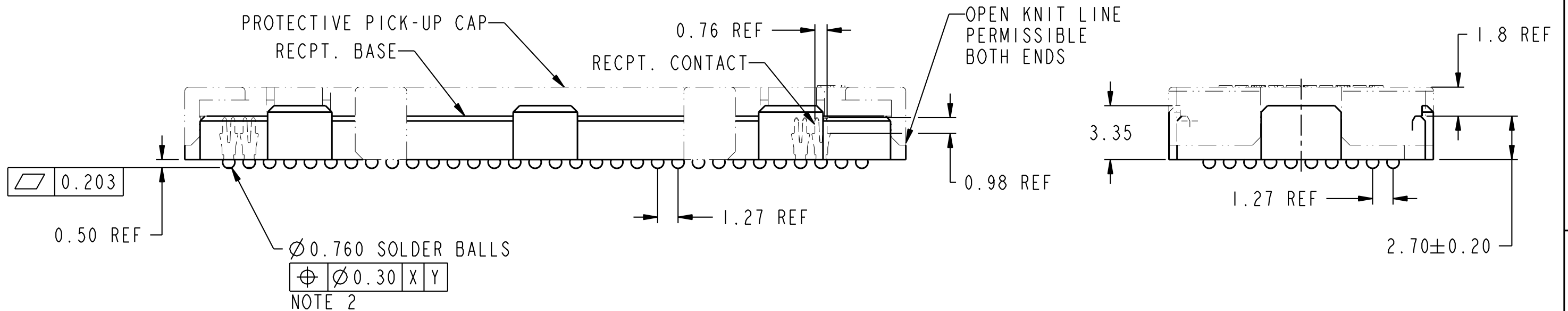
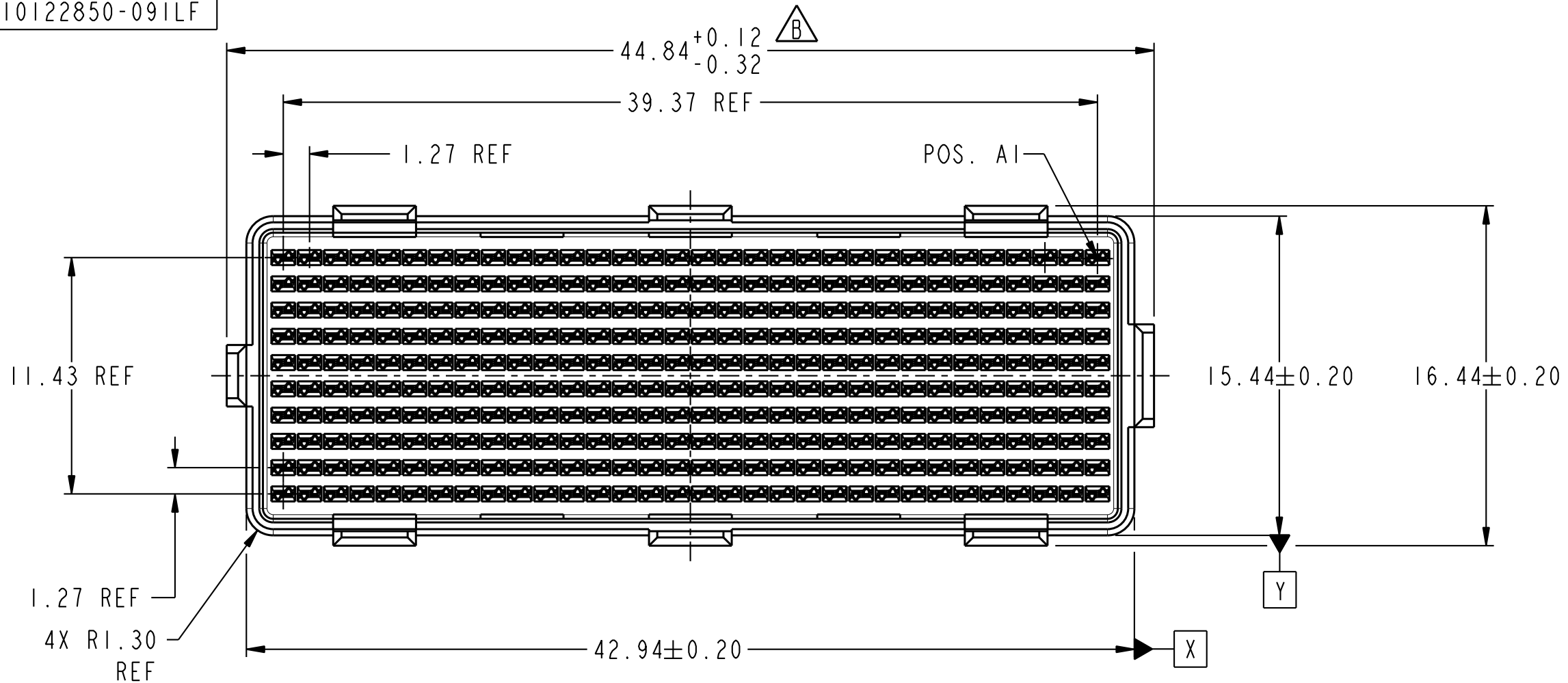


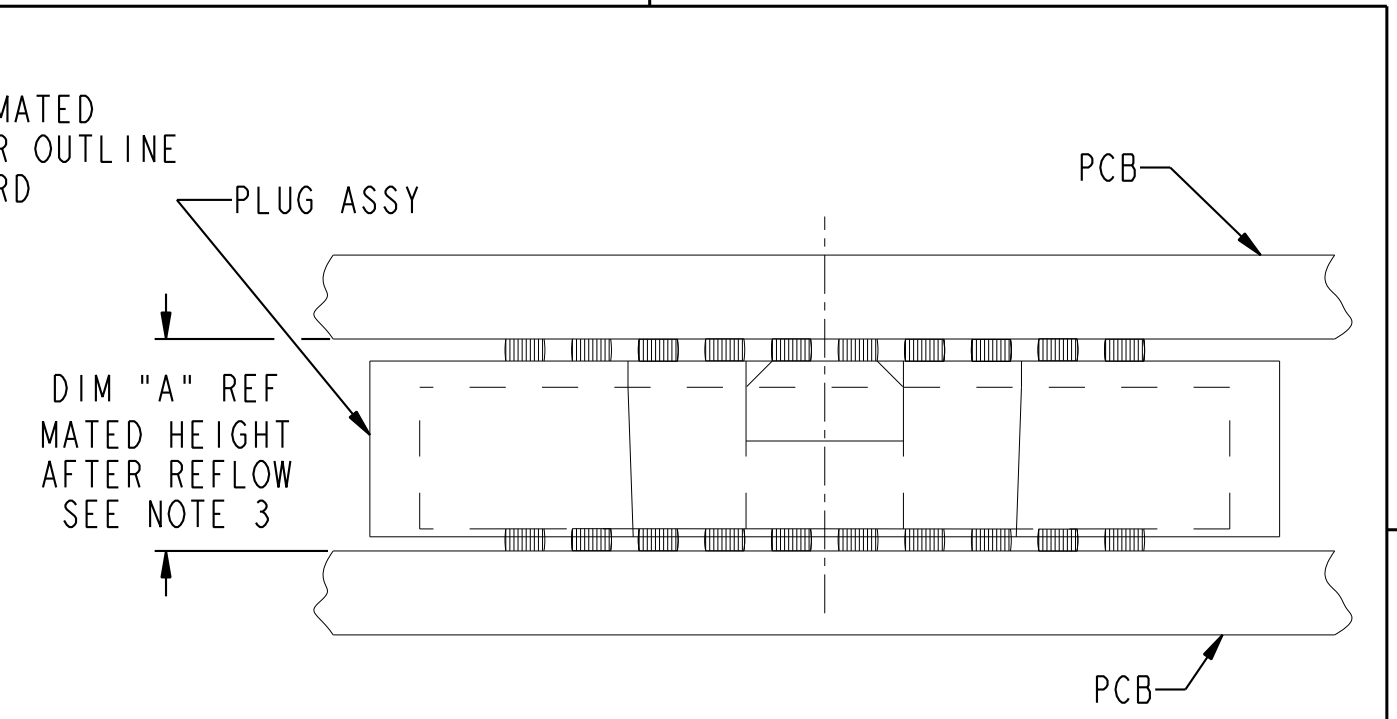
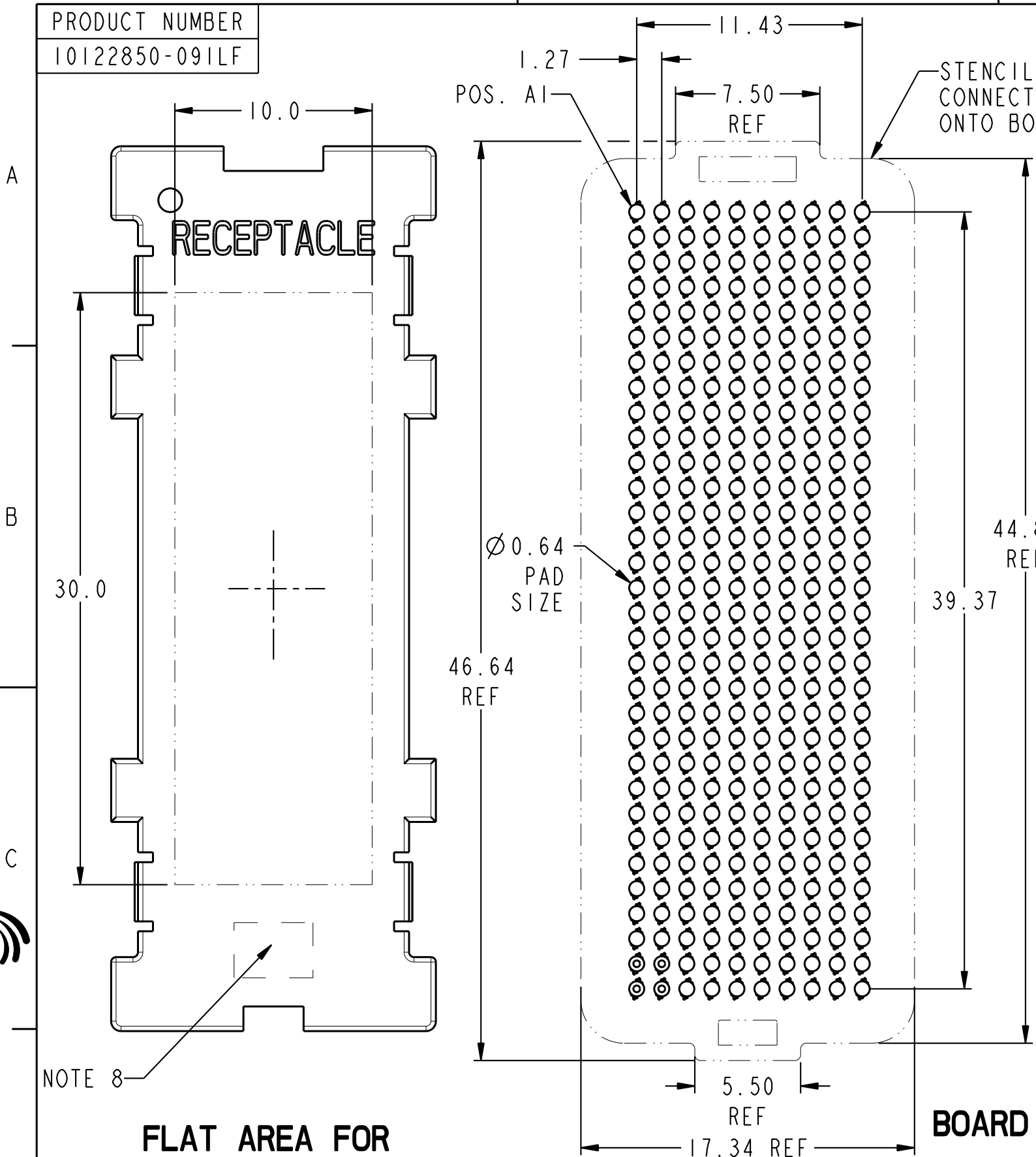
PRODUCT NUMBER  
10122850-09ILF



Copyright FCI.

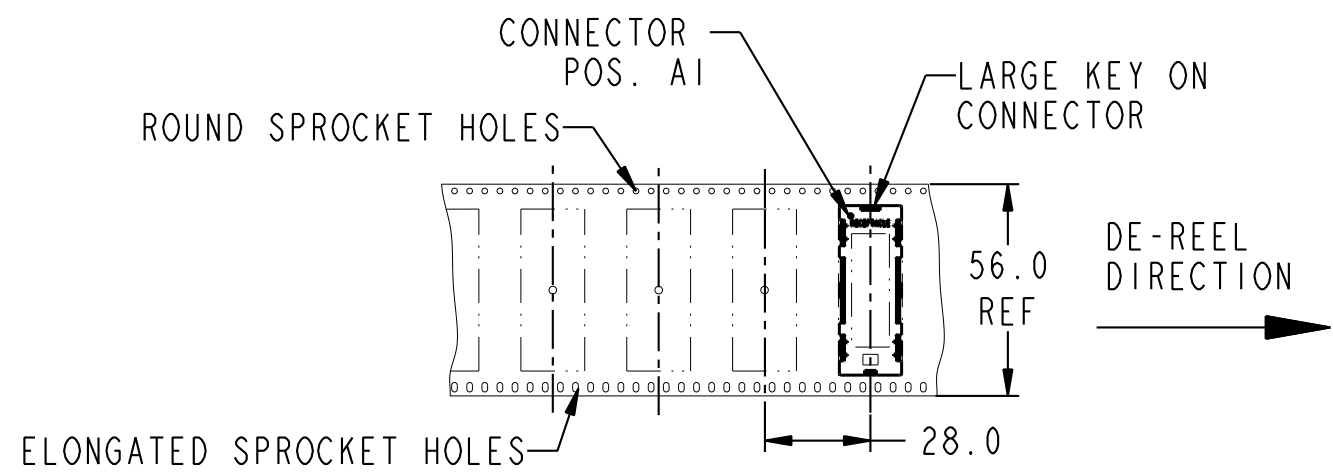
spec ref	-	dr	S Jaganathan	2012/09/27	projection		size	A3	scale	1:1								
tolerance std	ASME Y14.5	eng	Robert Brown	2015/01/05	mm		ecn no	ELX-V-19870-1										
	TOLERANCES UNLESS OTHERWISE SPECIFIED	chr	-	-	product family	MEG-ARRAY	rel level	Released										
surface	3.2	appr	R Marshall	2015/01/05			<table border="1"> <tr> <td>title</td> <td>4mm RECEPTACLE ASSY (BLACK)</td> <td>rev</td> <td>D</td> </tr> <tr> <td>dwg no</td> <td>10122850</td> <td></td> <td></td> </tr> </table>	title	4mm RECEPTACLE ASSY (BLACK)	rev	D	dwg no	10122850					
title	4mm RECEPTACLE ASSY (BLACK)	rev	D															
dwg no	10122850																	
ASME Y14.5	<table border="1"> <tr> <td>linear</td> <td>0.X</td> <td><math>\pm 0.3</math></td> </tr> <tr> <td></td> <td>0.XX</td> <td><math>\pm 0.10</math></td> </tr> <tr> <td></td> <td>0.XXX</td> <td><math>\pm 0.050</math></td> </tr> <tr> <td>angular</td> <td>0°</td> <td><math>\pm 2^\circ</math></td> </tr> </table>	linear	0.X	$\pm 0.3$		0.XX	$\pm 0.10$		0.XXX	$\pm 0.050$	angular	0°	$\pm 2^\circ$	www.fci.com	cat. no.	-	Product - Customer Drw	sheet 1 of 3
linear	0.X	$\pm 0.3$																
	0.XX	$\pm 0.10$																
	0.XXX	$\pm 0.050$																
angular	0°	$\pm 2^\circ$																

PRODUCT NUMBER  
10122850-091LF



MATED HEIGHT AFTER REFLOW IS BASED ON  $\varnothing$  0.64mm PAD (METAL-DEFINED) AND 0.13mm SOLDER PASTE STENCIL THICKNESS. SEE NOTE 3

**END VIEW - MATED CONNECTORS**  
SCALE NONE



**TAPE & REEL PACKAGING**  
PER EIA 481-3  
SCALE NONE

**BOARD PATTERN**

NOTE 8  
**FLAT AREA FOR PICK-UP CAP**

MATED HEIGHT TABLE		
DIM "A"	PLUG ASSY. P/N	RECPT. ASSY. P/N
4.0	10122849	10122850

spec ref	-	dr	S Jaganathan	2012/09/27	projection	mm	size	A3	scale	1:1
tolerance std	ASME Y14.5	eng	Robert Brown	2015/01/05			ecn no	ELX-V-19870-1	rel level	Released
TOLERANCES UNLESS OTHERWISE SPECIFIED		chr	-	product family						
surface	3.2	appr	R Marshall	2015/01/05			4mm RECEPTACLE ASSY (BLACK) 10 X 32 = 320 POS.		dwg no 10122850	rev D
ASME Y14.5	angular	0°	±2°	www.fci.com	cat. no.	-	Product - Customer Drw		sheet 2 of 3	

Copyright FCI. FCI

PRODUCT NUMBER  
10122850-091LF

NOTES:

- ① MATERIAL:  
HOUSING: LCP-BLACK.  
CONTACT: COPPER ALLOY
  
- PLATING:  
CONTACT: 15 $\mu$ " (0.38 $\mu$ m) GXT OVER Ni UNDERPLATE  
(GOLD SUBSTITUTION PERMISSABLE)  
SOLDER BALL: LEAD FREE 95.5Sn/4Ag/0.5Cu
  
- ② SOLDER BALLS WILL NOT HAVE PERFECT SPHERICAL SHAPES DUE TO REFLOW ATTACHMENT.
  
- ③ MATED HEIGHT WHEN MATED WITH 10122849-002LF WILL BE APPROXIMATELY 4mm. MATED HEIGHT WILL BE EFFECTED BY CUSTOMER'S PCB DESIGN AND REFLOW PROCESS.
  
- ④ FOR PROPER APPLICATION FOLLOW FCI APPLICATION SPECIFICATION GS-20-033 LEAD FREE SOLDER BALLS WILL NOT SOLDER PROPERLY IN A LEADED SOLDER PROCESS DUE TO A HIGHER REFLOW TEMPERATURE. LEAD FREE PRODUCT IS THEREFORE NOT BACKWARDS COMPATIBLE WITH LEADED OR SOME SOLDERING APPLICATIONS. REFERENCE FCI APPLICATION SPECIFICATION.
  
- ⑤ THIS PRODUCT MEETS EUROPEAN UNION DIRECTIVES AND OTHER COUNTRY REGULATIONS AS DESCRIBED IN GS-47-0004 PRODUCT MEETING THIS DIRECTIVE IS IDENTIFIED IN THE LOT CODE NUMBER MARKED ON EACH PART BY HAVING AN "X" IN THE SEVENTH CHARACTER POSITION.
  
- ⑥ CURRENT COMPANY LOGO TO BE VISIBLE IN APPROXIMATE AREA SHOWN.

spec ref -		dr	S Jaganathan	2012/09/27	projection	mm	size	A3	scale	1:1
tolerance std	TOLERANCES UNLESS OTHERWISE SPECIFIED	eng	Robert Brown	2015/01/05			ecn no		ELX-V-19870-1	
ASME Y14.5		chr	-	-			rel level		Released	
surface $\sqrt{3.2}$		linear	appr	R Marshall	2015/01/05	product family	MEG-ARRAY			
ASME Y14.5	angular	www.fci.com		cat. no.	-		Product - Customer Drw		sheet 3 of 3	
						title	4mm RECEPTACLE ASSY (BLACK)		dwg no	10122850
									rev	D



Copyright FCI.