

参考基板レイアウト (マウント面)
P.C.BOARD
PATTERN DIMENSION (REF.)
(MOUNTING AREA)

| | | | | |
|------|------|------|--------------|---------|
| 24.6 | 23.6 | 26.7 | 54684-1203 | 120 |
| 20.6 | 19.6 | 22.7 | 54684-1003 | 100 |
| 18.6 | 17.6 | 20.7 | 54684-0903 | 90 |
| 16.6 | 15.6 | 18.7 | 54684-0803 | 80 |
| 14.6 | 13.6 | 16.7 | 54684-0703 | 70 |
| 12.6 | 11.6 | 14.7 | 54684-0603 | 60 |
| 10.6 | 9.6 | 12.7 | 54684-0503 | 50 |
| 5.4 | 4.4 | 7.5 | 54684-0243 | 24 |
| C | B | A | MATERIAL NO. | CIRCUIT |

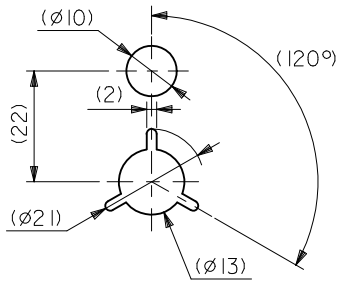
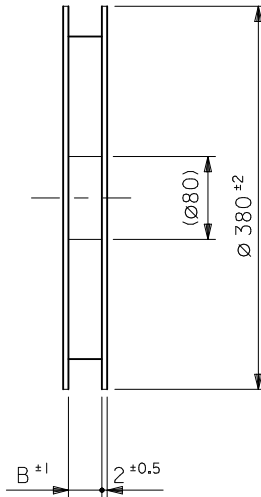
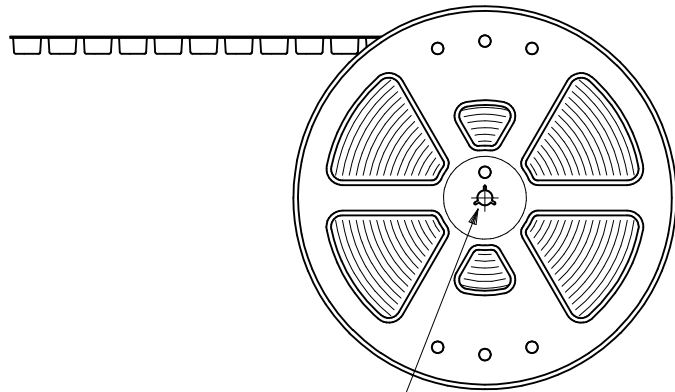
注記 NOTES:

1. 使用材料 MATERIAL
ハウジング: 液晶ポリマー ガラス充填 UL94V-0 茶色
HOUSING: LIQUID CRYSTAL POLYMER
GLASS FILLED UL94V-0
COLOR BROWN
ターミナル: リン青銅 (t=0.15)
TERMINAL: PHOSPHOR BRONZE (t=0.15)
2. メッキ仕様 PLATING
金メッキ 0.10 マイクロメートル以上 (コンタクト部)
GOLD 0.10 MICROMETER MINIMUM (CONTACT AREA)
金メッキ 0.4 マイクロメートル以下 (テール部)
GOLD 0.4 MICROMETER MAXIMUM (TAIL AREA)
下地メッキ: ニッケルメッキ 1.5 マイクロメートル以上
UNDER PLATING: NICKEL 1.5 MICROMETER MINIMUM
* コンタクト部とテール部はニッケルメッキによって分断されている
金メッキで9。
DIVIDE INTO PARTS THE GOLD PLATING OF THE
CONTACT PART AND THE TAIL PART BY THE
NICKEL PLATING.

3. (全極数/2) = 偶数の場合に適用。
APPLY FOR (CIRCUIT/2) = EVEN.
4. 嵌合相手: 55526シリーズ, 501017シリーズ。
MATE WITH: 55526 SERIES AND 501017 SERIES.
5. テール平坦度は 0.08MAX。
TAIL COPLANARITY TO BE 0.08MAX.

| | | | | | | | | | |
|---|-------------|--|-------|----------------------------|--------------------|--|------------------------|------------------------|--|
| REVISED EC NO: J2010-2361 DRWN: MKATO 2010/05/21 CHKD: THIRATA 2010/05/24 APPR: MSASAO 2010/06/09 | DESCRIPTION | GENERAL TOLERANCES (UNLESS SPECIFIED) | | DIMENSION STYLE MM ONLY | | SCALE --- | DESIGN UNITS METRIC | MODEL NO. 54684-***3 | |
| | | 10 UNDER | ±0.2 | DRAWN BY T. KAIHO | DATE 2003/07/15 | TITLE 0.4BB CONN.REC HSGASSY NO BOSS NI BARRIER -LEAD FREE- | | | |
| | | 10 OVER 30 UNDER | ±0.25 | CHECKED BY T. ITO | DATE 2003/07/15 | MOLEX INCORPORATED SD-54684-011 | | | |
| | | 30 OVER | ±0.3 | APPROVED BY T. YAMAGU | DATE 2003/07/15 | | | | |
| ANGULAR ±3 ° | | DRAFT WHERE APPLICABLE MUST REMAIN WITHIN DIMENSIONS | | SEE CHART | | DOCUMENT NO. | | MATERIAL NO. | |
| THIS DRAWING CONTAINS INFORMATION THAT IS PROPRIETARY TO MOLEX INCORPORATED AND SHOULD NOT BE USED WITHOUT WRITTEN PERMISSION | | | | | | | | | |

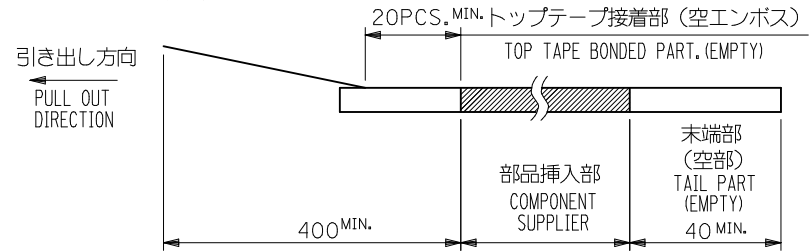
引き出し方向
PULL OUT
DIRECTION



DETAIL "F"

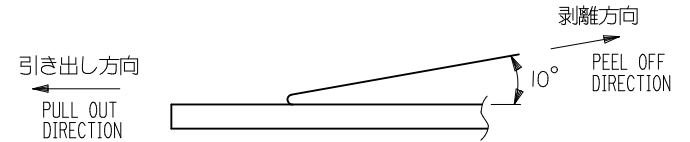
NOTES

- 製品詳細寸法については図面 SD-54684-011 を参照下さい。
RE DETAILED DIMENSION, SEE SD-54684-011
- 梱包数量：1500個/リール
NUMBER OF CONNECTORS：1500PCS/REEL
- リードテープ長さ LEAD TAPE LENGTH



- トップテープの剥離強度：0.1N ~ 0.7N(10.2gf ~ 71.4gf)
(剥離方向は下図参照)

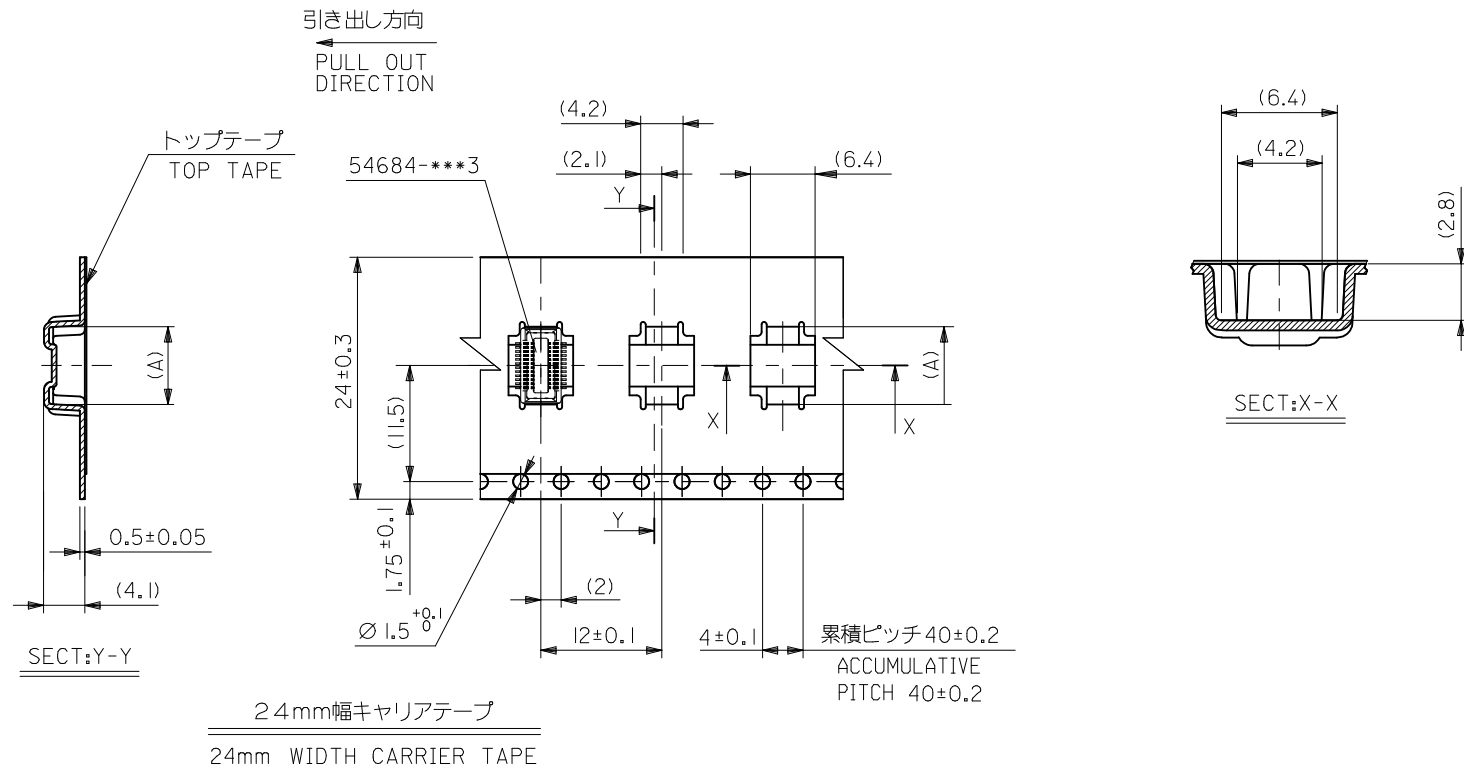
尚、本規格値は出荷時に適用。(但し、輸送時に剥離が発生しないこと。)
PEELING OFF FORCE OF TOP TAPE：0.1N ~ 0.7N(10.2gf ~ 71.4gf)
(PEELING DIRECTION AS SHOWN IN FOLLOWING FIG.)
THIS REQUIREMENT SHOULD BE APPLIED AT SHIPMENT.
PEEL OFF SHOULD NOT BE ALLOWED, DURING TRANSPORTATION.



- 材料(MATERIAL)
キャリアテープ(CARRIER TAPE)：ポリプロピレン(POLYPROPYLENE)
トップテープ(TOPTAPE)：PET, PE, PEF
リール(REEL)：ポリスチレン(P.S) <リサイクル材を含む>
POLYSTYREN(PS) <RECYCLE MATERIAL CONTAINED>

MODEL NO. 54684-***4

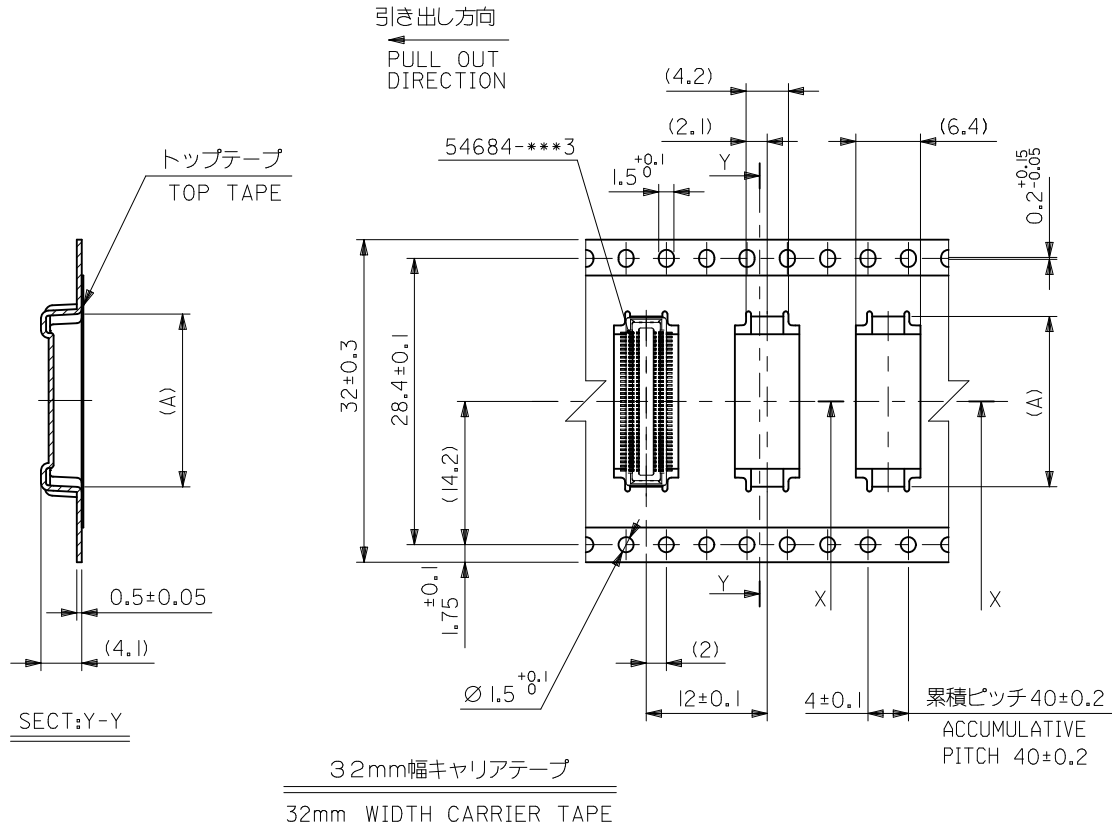
| | | | | | | | | | | |
|--|--------------------|--|-------|----------------------------|--------------------|--|------------------------|------------------------|--|--|
| REVISED EC NO: J2010-2361 DRWN:KATO 2010/05/21 CHKD:HIRATA 2010/05/24 APPR:MSASAO 2010/06/09 | DESCRIPTION REV | GENERAL TOLERANCES (UNLESS SPECIFIED) | | DIMENSION STYLE MM ONLY | | SCALE --- | DESIGN UNITS METRIC | THIRD ANGLE PROJECTION | | |
| | | 10 UNDER | ±0.2 | DRAWN BY T. KAIHO | DATE 2003/07/15 | TITLE 0.4BB CON.EMBSTP PKG FOR 54684-***3 -LEAD FREE- | | | | |
| | | 10 OVER 30 UNDER | ±0.25 | CHECKED BY T. ITO | DATE 2003/07/15 | MOLEX INCORPORATED | | | | |
| | | 30 OVER | ±0.3 | APPROVED BY T. YAMAGU | DATE 2003/07/15 | DOCUMENT NO. SD-54684-012 | | | | |
| ANGULAR ±3 ° | | DRAFT WHERE APPLICABLE MUST REMAIN WITHIN DIMENSIONS | | MATERIAL NO. SEE CHART | | SHEET NO. 1 OF 4 | | | | |
| | | | | SIZE A3 | | THIS DRAWING CONTAINS INFORMATION THAT IS PROPRIETARY TO MOLEX INCORPORATED AND SHOULD NOT BE USED WITHOUT WRITTEN PERMISSION | | | | |



| | | | | |
|--------------------------------|------|-----|--------------|------------|
| 24 | 25.5 | 7.7 | 54684-0244 | 24 |
| キャリアテープ幅 CARRIER TAPE WIDTH | B | (A) | MATERIAL NO. | 極数 CKT. |

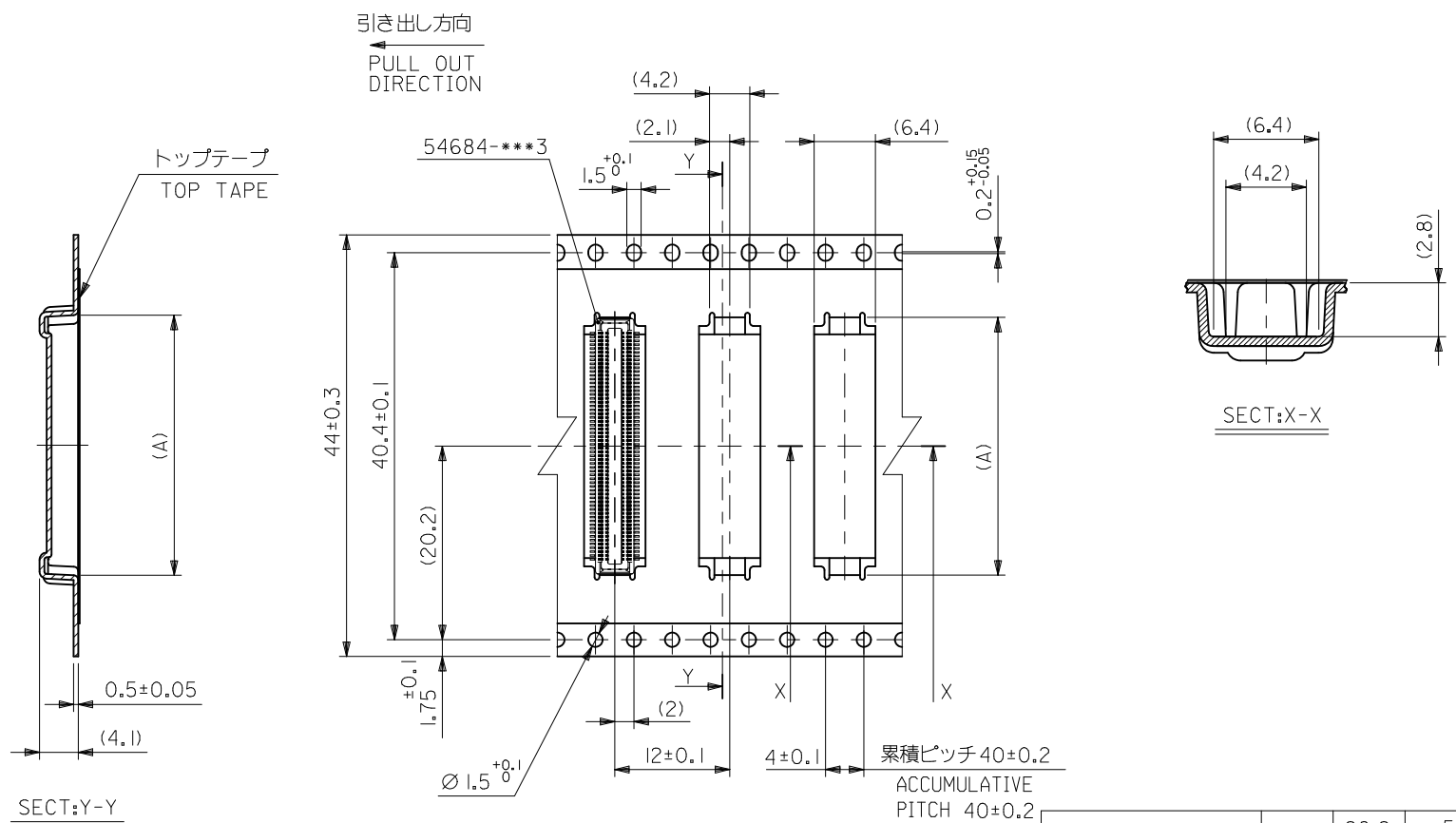
MODEL NO. 54684-***4

| | | | | | | |
|--|---------------------------------------|--|----------------------------|---|--|------------------------|
| REVISED EC NO: J2010-2361 DRWN:MKATO 2010/05/21 CHKD:THIRATA 2010/05/24 APPR:MSASAO 2010/06/09 | GENERAL TOLERANCES (UNLESS SPECIFIED) | | DIMENSION STYLE MM ONLY | SCALE --- | DESIGN UNITS METRIC | THIRD ANGLE PROJECTION |
| | 10 UNDER | ±0.2 | DRAWN BY T.KAIHO | DATE 2003/07/15 | TITLE 0.4BB CON.EMBSTP PKG FOR 54684-***3 -LEAD FREE- | |
| | 10 OVER 30 UNDER | ±0.25 | CHECKED BY T.ITO | DATE 2003/07/15 | MOLEX INCORPORATED | |
| | 30 OVER | ±0.3 | APPROVED BY T.YAMAGU | DATE 2003/07/15 | MATERIAL NO. | DOCUMENT NO. |
| | ANGULAR ±3 ° | DRAFT WHERE APPLICABLE MUST REMAIN WITHIN DIMENSIONS | SEE CHART | SD-54684-012 | | SHEET NO. 2 OF 4 |
| | | | SIZE A3 | THIS DRAWING CONTAINS INFORMATION THAT IS PROPRIETARY TO MOLEX INCORPORATED AND SHOULD NOT BE USED WITHOUT WRITTEN PERMISSION | | |



| | | | | |
|--------------------------------|------|------|--------------|------------|
| 32 | 33.5 | 20.9 | 54684-0904 | 90 |
| | | 18.9 | 54684-0804 | 80 |
| | | 16.9 | 54684-0704 | 70 |
| | | 14.9 | 54684-0604 | 60 |
| | | 12.9 | 54684-0504 | 50 |
| キャリアテープ幅 CARRIER TAPE WIDTH | B | (A) | MATERIAL NO. | 極数 CKT. |

| | | | | | | |
|--|---------------------------------------|--------------|-----------------|---|--------------------|---|
| REVISED EC NO: J2010-2361 DRWN:MKATO 2010/05/21 CHKD:THIRATA 2010/05/24 APPR:MSASAO 2010/06/09 | GENERAL TOLERANCES (UNLESS SPECIFIED) | | DIMENSION STYLE | SCALE | DESIGN UNITS | MODEL NO. |
| | 10 UNDER | ±0.2 | MM ONLY | --- | METRIC | 54684-***4 |
| | 10 OVER 30 UNDER | ±0.25 | DRAWN BY | DATE | TITLE | 0.4BB CON.EMBSTP PKG FOR 54684-***3 -LEAD FREE- |
| | 30 OVER | ±0.3 | T. KAIHO | 2003/07/15 | MOLEX INCORPORATED | |
| | ANGULAR | ±3 ° | CHECKED BY | DATE | DOCUMENT NO. | SHEET NO. |
| DRAFT WHERE APPLICABLE MUST REMAIN WITHIN DIMENSIONS | | T. ITO | 2003/07/15 | SD-54684-012 | 3 OF 4 | |
| | | APPROVED BY | DATE | THIS DRAWING CONTAINS INFORMATION THAT IS PROPRIETARY TO MOLEX INCORPORATED AND SHOULD NOT BE USED WITHOUT WRITTEN PERMISSION | | |
| | | T. YAMAGU | 2003/07/15 | | | |
| | | MATERIAL NO. | SEE CHART | | | |
| | | SIZE | A3 | | | |



44mm幅キャリアテープ
44mm WIDTH CARRIER TAPE

| | | | | |
|--------------------------------|------|------|--------------|------------|
| 44 | 45.5 | 26.9 | 54684-1204 | 120 |
| | | 22.9 | 54684-1004 | 100 |
| キャリアテープ幅 CARRIER TAPE WIDTH | B | (A) | MATERIAL NO. | 極数 CKT. |

| | | | | | | | |
|--|---------------------------------------|---|----------------------------|--------------------|--|------------------------|------------------------|
| REVISED EC NO: J2010-2361 DRWN:MKATO 2010/05/21 CHKD:THIRATA 2010/05/24 APPR:MSASAO 2010/06/09 | GENERAL TOLERANCES (UNLESS SPECIFIED) | | DIMENSION STYLE MM ONLY | | SCALE --- | DESIGN UNITS METRIC | MODEL NO. 54684-***4 |
| | 10 UNDER | ±0.2 | DRAWN BY T.KAIHO | DATE 2003/07/15 | TITLE 0.4BB CON.EMBSTP PKG FOR 54684-***3 -LEAD FREE- | | |
| | 10 OVER 30 UNDER | ±0.25 | CHECKED BY T.ITO | DATE 2003/07/15 | MOLEX INCORPORATED | | |
| | 30 OVER | ±0.3 | APPROVED BY T.YAMAGU | DATE 2003/07/15 | DOCUMENT NO. SD-54684-012 | | |
| | ANGULAR ±3 ° | DRAFT WHERE APPLICABLE MUST REMAIN WITHIN DIMENSIONS | | SEE CHART | | SHEET NO. 4 OF 4 | |
| | | THIS DRAWING CONTAINS INFORMATION THAT IS PROPRIETARY TO MOLEX INCORPORATED AND SHOULD NOT BE USED WITHOUT WRITTEN PERMISSION | | | | | |