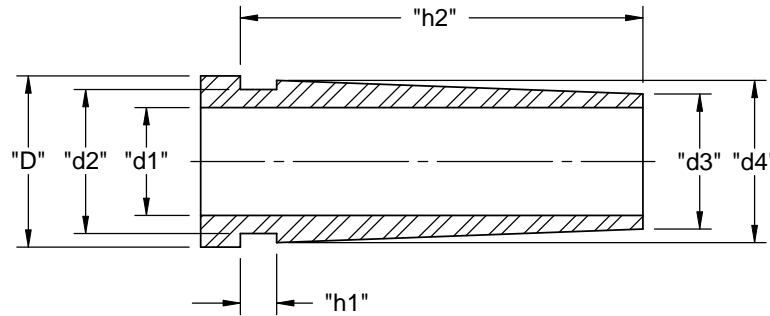
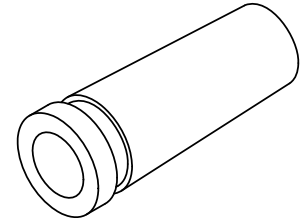


PART NO.	"d2"	"h1"	"d1" NOMINAL DIA.	"h2"	"D"	"d3"	"d4"
RGS2-12462	.500 (12.7)	.126 (3.2)	.374 (9.5)	1.398 (35.5)	.594 (15.1)	.469 (11.9)	.563 (14.3)
RGS2-51409		.031 (0.8)	.344 (8.7)	1.055 (26.8)	.752 (19.1)	.480 (12.2)	.594 (15.1)

AVAILABLE BY SPECIAL ORDER



- NOTES:
 1. MATERIAL: PVC (RMS-25)
 2. COLOR: BLACK

REV.			DESCRIPTION			ENGR.			DATE			TITLE: RICHCO GROMMET SLEEVE - TYPE 2			DWG IN IN [MM]		FINAL		PRINT TYPE	
D	SEE CO 200604 FOR CHANGES	SK	12/01/10	CREATED USING SOLIDWORKS			FILE #: RGS2			DWN: S.J.			APP:			FINAL		PART #		
C	SEE ECN #1148 FOR CHANGES	SJ	03.29.06	TOLERANCES UNLESS NOTED			SHEET: 1 OF 1			SHEET SIZE: A			DT: 07.15.02			CHKD:			SEE TABLE	
B	SEE ECN #606 FOR CHANGES	SM	03.31.03	.XX=±.020			RE: RICHCO, INC.			RICHCO, INC.			ENG@RICHCO-INC.COM			CA				
A	SEE ECN #541 FOR CHANGES	SM	12.12.02	FRAC.=±1/32									(773) 539-4060							
				ANG.=±1°																