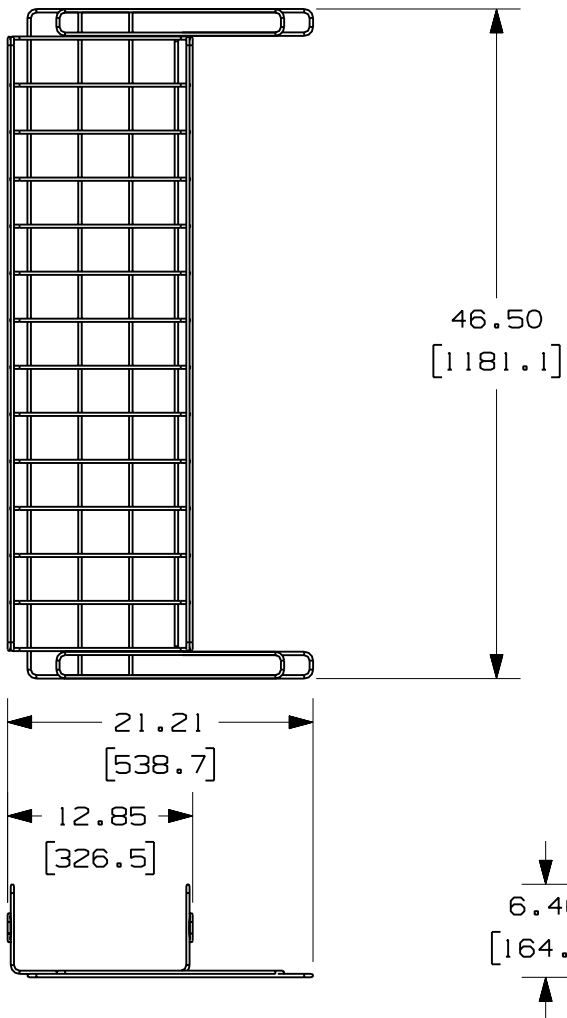


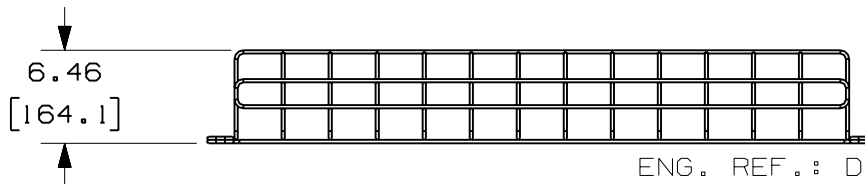
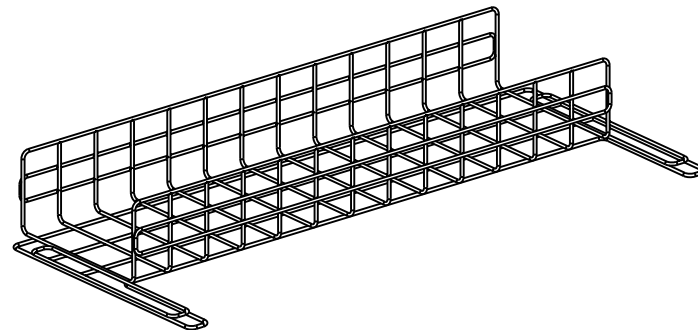
THIS COPY IS PROVIDED ON A RESTRICTED BASIS AND IS NOT TO BE USED IN ANY WAY DETRIMENTAL TO THE INTERESTS OF PANDUIT CORP.



PANDUIT PART NUMBER	WEIGHT
GR12X6X480SPG	10.53 LB/EA (4776g/EA)

NOTES:

- SEE CURRENT CATALOG FOR ADDITIONAL PART SUFFIXES TO INDICATE PACKAGE QUANTITY.
- DIMENSIONS IN PARNETHESES ARE IN METRIC.



ENG. REF.: D39065JT_DC/00 GR12X6X480S

CAD FILENAME/LAYERS: GR12X6X480SPG.pdf

REV	DATE	BY	CHK	DESCRIPTION	ECN	R	CUST	SUP	GMBH
R	10-30-07	MSO	SABR	RELEASED TO PRODUCTION	39065-67	RN	RN		

<h1>PANDUIT</h1> CORP TINLEY PARK, ILLINOIS GRIDRUNNER 12x6x48 OFFSET WIRE BASKET (GR12X6X480SPG) CUSTOMER DRAWING		UNLESS OTHERWISE SPECIFIED, DIMENSIONAL TOLERANCES ARE: (.X) ± (.XXX) ± (.XX) ± .05 (1.3) ANGLES ±		UNLESS OTHERWISE SPECIFIED, ALL DIMENSIONS ARE GIVEN IN INCHES, THIRD ANGLE PROJECTION.	
		DRAWN BY: MSO DATE: 10-30-07 CHK'D: SABR	MAT'L: PRE-GALVANIZED STEEL WIRE	SCALE: NONE	DRAWING NO.: 39065-67 DWG SIZE: A