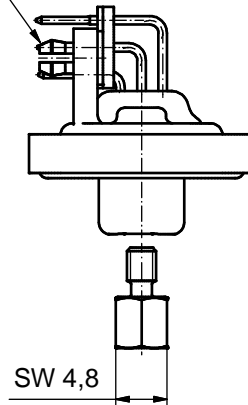
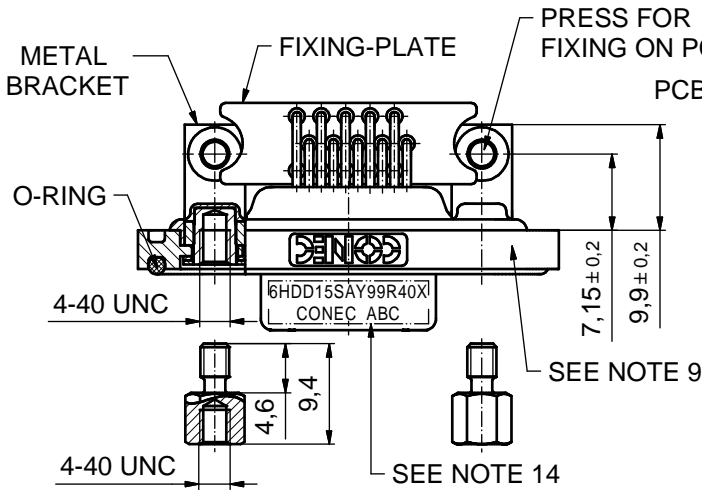
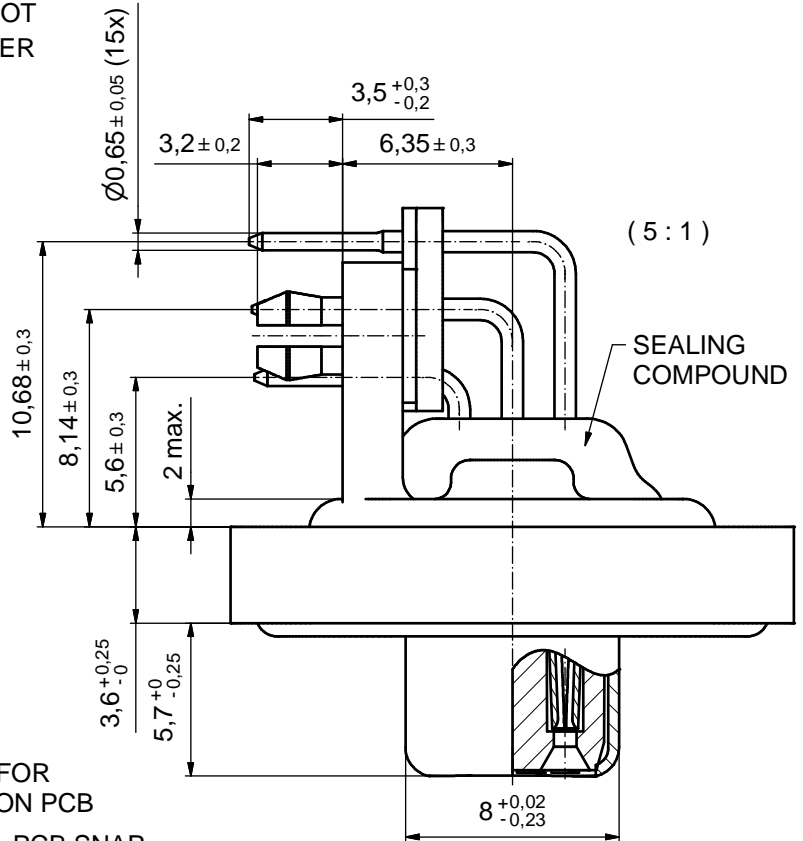
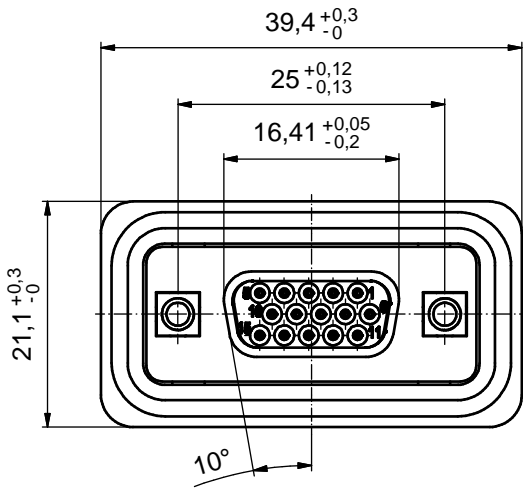
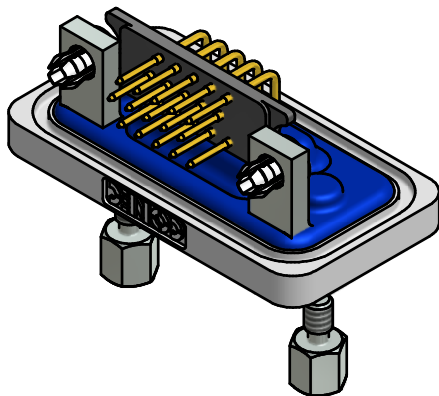


AT ALL TIMES WATER RESISTANT CONNECTORS NOT IN USE SHOULD BE COVERED WITH A CONEC WATER RESISTANT CAP OR WATER TIGHT HOOD.



NOTES:

1. FOR WAVESOLDERING (SOLDER BATH TEMPERATURE 240°C FOR 5 SEC. AND SOLDER PREHEAT 120°C FOR 120 SEC.)
2. METAL SHELLS: COPPER ALLOY; min. 315µm TIN over 40-80µm NICKEL
3. INSULATORS: PBT GF UL 94 V-0; BLACK
4. CONTACTS: COPPER ALLOY
PLATING: GOLD FLASH over NICKEL
5. METAL BRACKETS: ZINC DIE CAST; 300µm COPPER/40-120µm NICKEL/120-200µm TIN
6. THREADED INSERTS: COPPER ALLOY; min. 200µm TIN over 80µm NICKEL
7. PCB-SNAPS: COPPER ALLOY; min. 200µm TIN over 80µm NICKEL
PCB-HOLE: $\phi 3,1 \pm 0,1$ mm; PCB-THICKNESS: 1,6mm
8. HEXLOCKING SCREWS: STAINLESS STEEL
9. FRAME: ZINC DIE CAST; NICKEL PLATED
10. FIXING PLATE: PBT GF UL 94 V-0; BLACK
11. O-RING: SILICON; BLUE
12. P.C.B. HOLE DRILLINGS AND RECOMMENDED PANEL CUT-OUT ON SHEET 2
13. RECOMMENDED TORQUE FOR MOUNTING SCREW 35Ncm (3.1 in.LB) / max.40Ncm (3.5 in.LB)
14. CONNECTOR IS PART MARKED: **6HDD15SAY99R40X CONEC ABC**

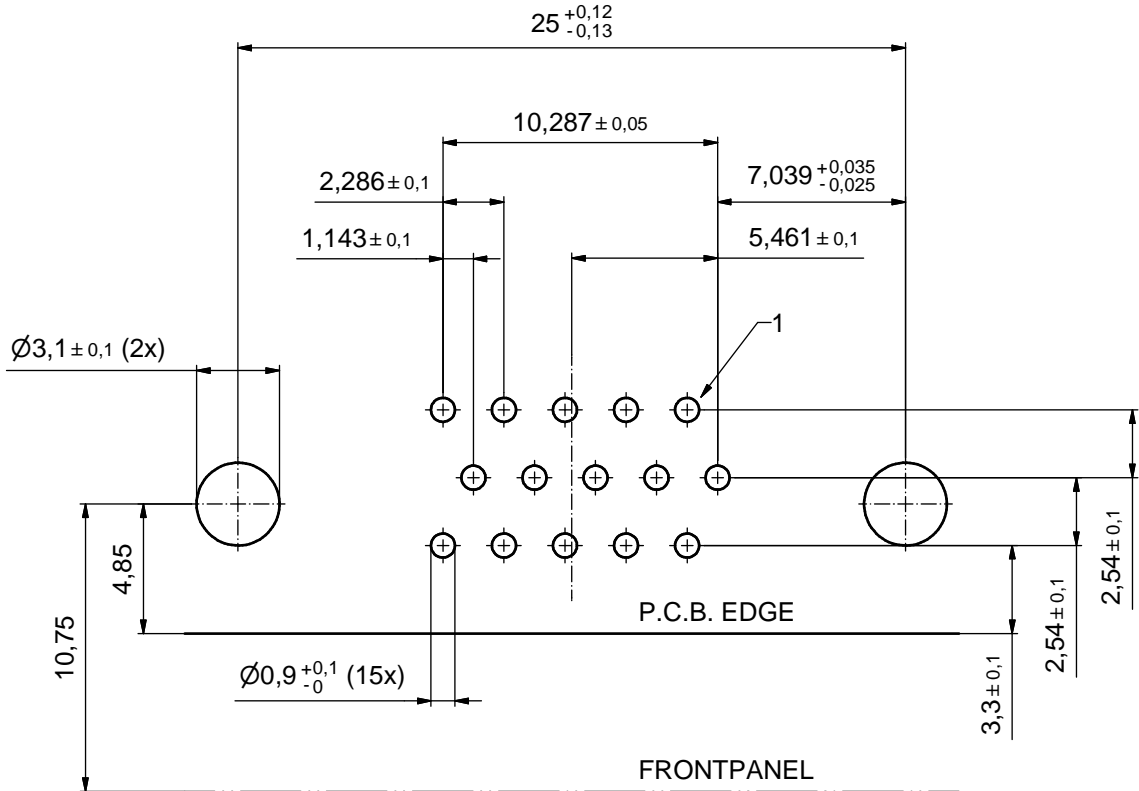


Directive 2002/95/EC RoHS compliant

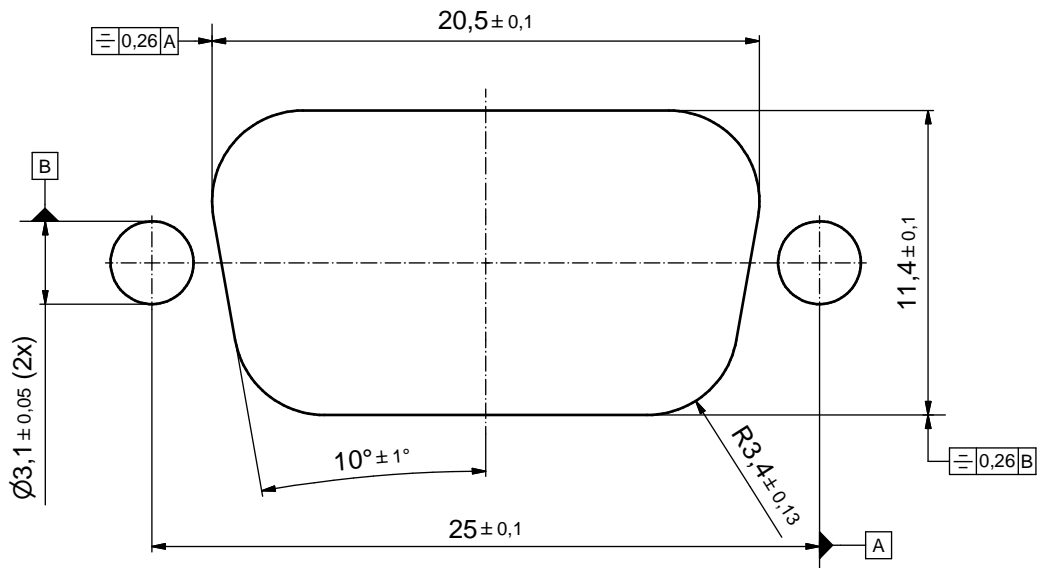
THIS DRAWING MAY NOT BE COPIED OR REPRODUCED IN ANY WAY, AND MAY NOT BE PASSED ON TO A THIRD PARTY WITHOUT WRITTEN PERMISSION. OWNERSHIP AND COPYRIGHT OF CONEC GmbH DO NOT ALTER CAD DRAWING BY HAND	tolerance		dim. in mm	scale: 2:1 (5:1)		
				material: SEE NOTES		
	date	name		title: D-SUB HD FEMALE 90° 15pos. SOLDER PIN ANGLED threaded insert, metal bracket, fixing plate, snap		
	drawn	02.11.2011	Gitinow			
appd.	02.11.2011	Fischer				
norm			dwg no:			
d-old			DIN-A3			
a	Original			15K1A959		
rev.	description			date	name	sh: 1
				part no: 6HDD15SAY99R40X		

P.C.B. HOLE DRILLINGS

(P.C.B. TOP SIDE)



RECOMMENDED PANEL CUT-OUT



THIS DRAWING MAY NOT BE COPIED OR REPRODUCED IN ANY WAY, AND MAY NOT BE PASSED ON TO A THIRD PARTY WITHOUT WRITTEN PERMISSION. OWNERSHIP AND COPYRIGHT OF CONEC GmbH DO NOT ALTER CAD DRAWING BY HAND				tolerance		scale: 5:1
					dim. in mm	material: SEE SHEET 1
				date	name	title: P.C.B. HOLE DRILLINGS D-SUB HD FEMALE 90°, 15pos. ANGLED threaded insert, metal bracket, fixing plate, snap
				drawn: 02.11.2011	Gitinow	
				appd.: 02.11.2011	Fischer	
			norm		dwg no:	DIN-A3
			d-old			sh: 2
	a	Original			CONEC	15K1A959
rev.	description	date	name			part no: SEE SHEET 1