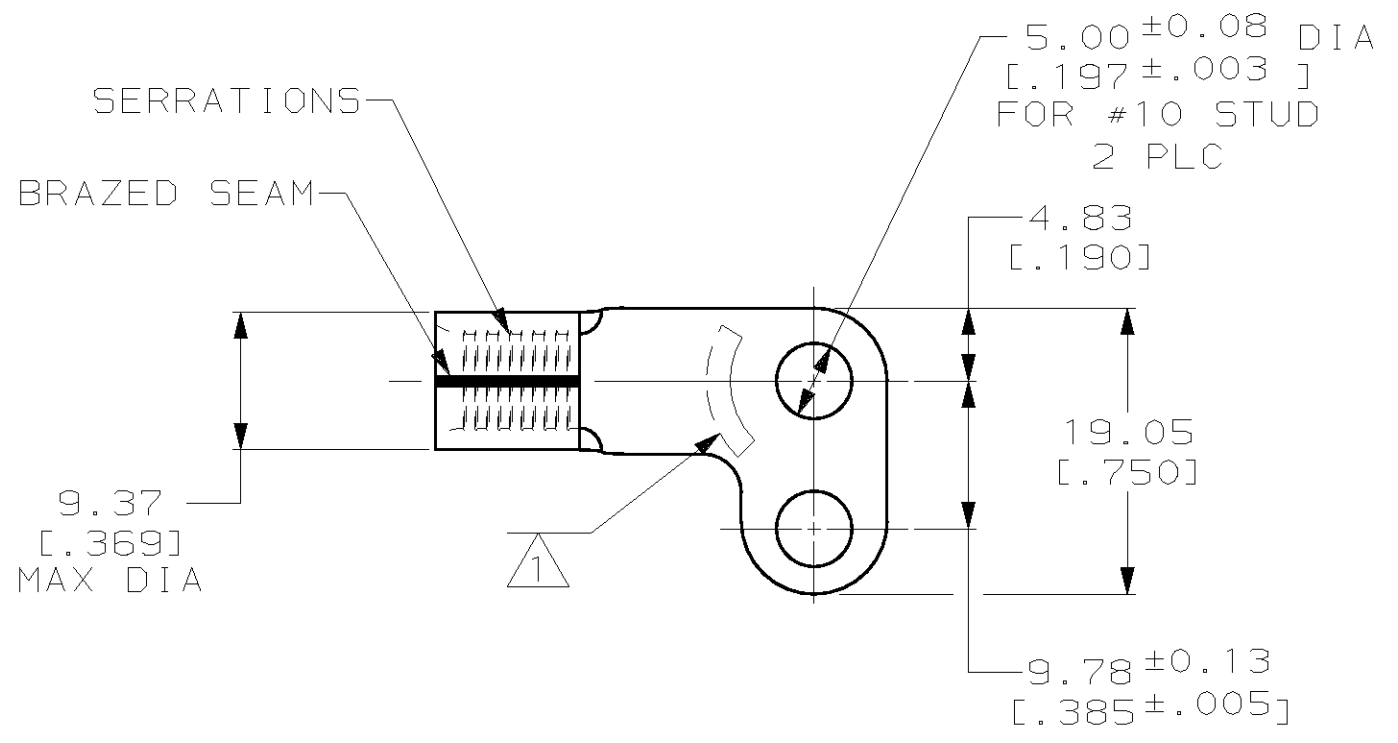


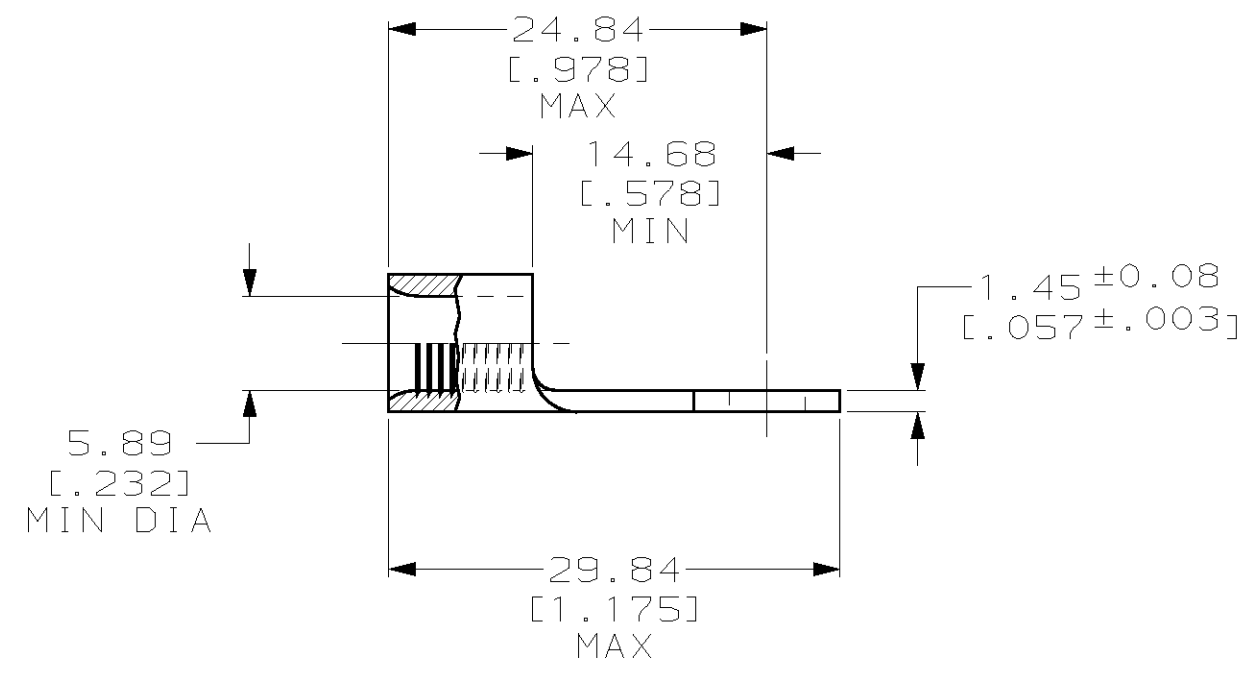
THIS DRAWING IS UNPUBLISHED. RELEASED FOR PUBLICATION, 19 .
 © COPYRIGHT 19 BY AMP INCORPORATED. ALL RIGHTS RESERVED.

LOC	DIST	REVISIONS			
P	LTR	DESCRIPTION	DATE	DWN	APVD
G	14	0	RELEASED PER PR 97-135	12DEC97	DKS MJS



AMP WIRE RANGE	UL E13288 Listed
6 AWG STRANDED	6 AWG STRANDED
SP LR7189 Certified	MILITARY P/N AND CLASS
NOT CERTIFIED	NOT APPLICABLE

1 STAMP AMP 6* APPROX AS SHOWN



500	ON TAPE, REEL	696035-2
QTY	PACKAGE TYPE	AMP PART NUMBER

**AMP INCORPORATED
 CUSTOMER SERVICE SYSTEMS**

FOR ADDITIONAL PRODUCT INFORMATION OR COPIES OF DRAWINGS AND TECHNICAL DOCUMENTS	PRODUCT INFORMATION CENTER 1-800-522-6752	RECOMMENDED OPERATING TEMPERATURE: 170°C MAX
FOR APPLICATION TOOLING INFORMATION	TOOLING ASSISTANCE CENTER 1-800-722-1111	VOLTAGE RATING: NOT APPLICABLE
FOR ORDER ENTRY	1-800-526-5142	WIRE CROSS SECTIONAL AREA RANGE: 10.5-16.8mm ² [20,800-33,100] CIR MILS STRANDED

THIS DRAWING IS A CONTROLLED DOCUMENT.

DIMENSIONS: mm [INCHES]	TOLERANCES UNLESS OTHERWISE SPECIFIED:
	0 PLC ±-
	1 PLC ±-
	2 PLC ±0.20 [.008]
	3 PLC ±-
	4 PLC ±-
	ANGLES ±-
MATERIAL COPPER PER ASTM B-152 ANNEALED	FINISH TIN PLATE 0.00254 [.000100] MIN THK PER ASTM B-545

DWN DK SCHRUM 12DEC97	AMP AMP Incorporated Harrisburg, PA 17105-3608
CHK MJ SPICER 17DEC97	
APVD JL MECKLEY 17DEC97	
PRODUCT SPEC	
APPLICATION SPEC	NAME TERMINAL, RING TONGUE, FLAG, SOLISTRAND™
WEIGHT	SIZE A3
CUSTOMER DRAWING	CAGE CODE 00779
SCALE 2:1	DRAWING NO C- 696035
SHEET 1 OF 1	RESTRICTED TO -
REV 0	