

10

9

8

7

6

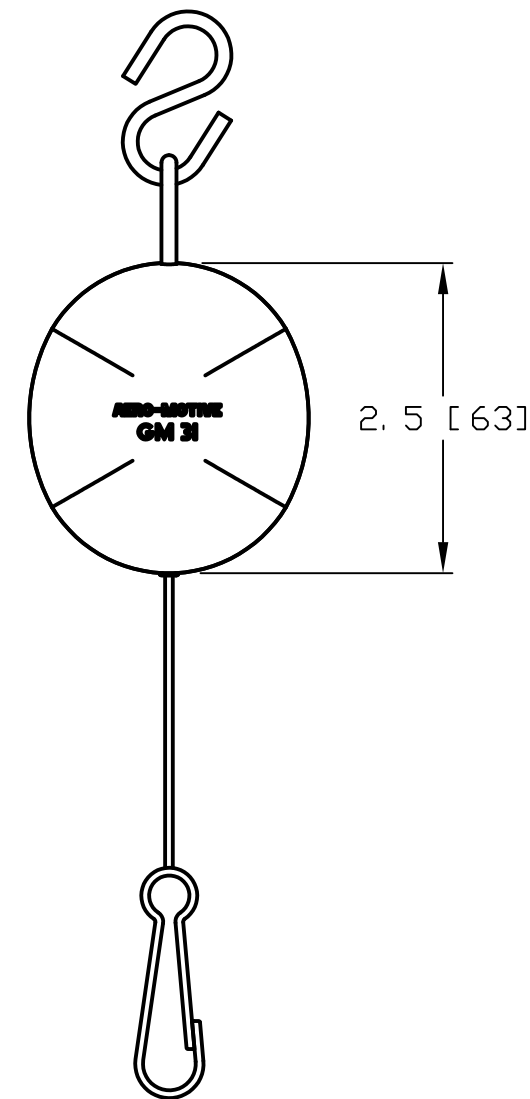
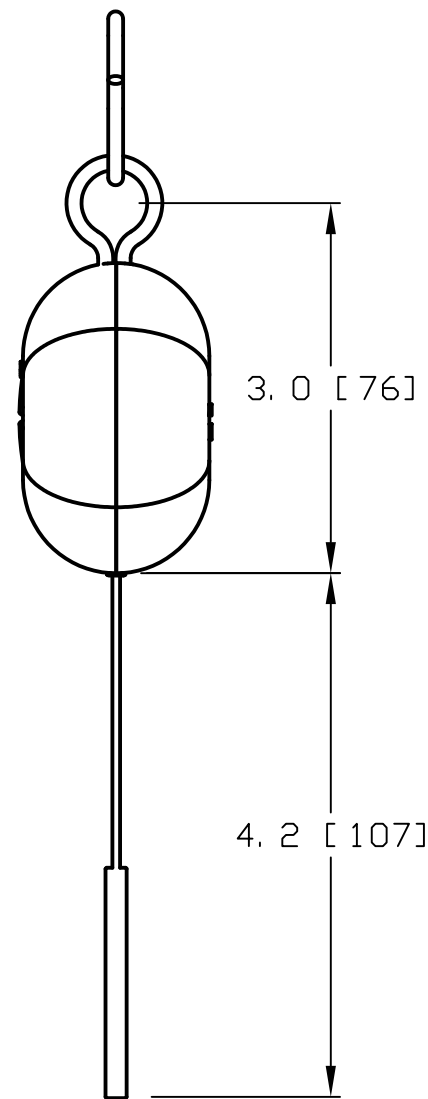
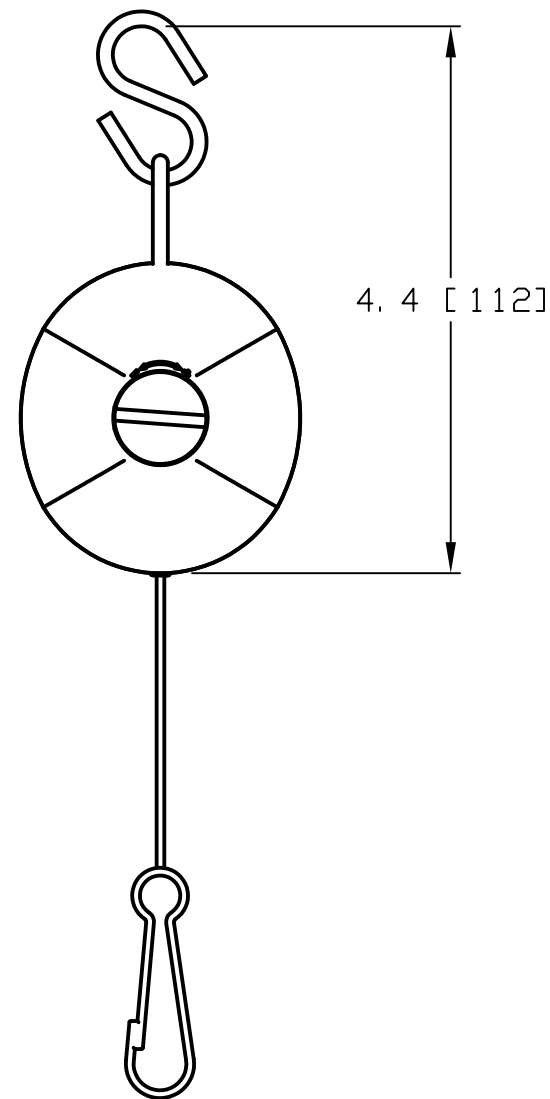
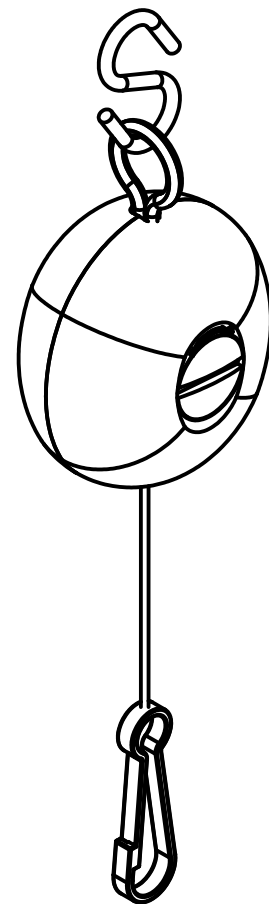
5

4

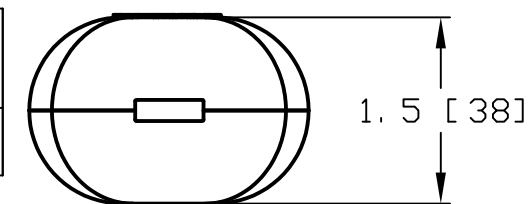
3

2

1



Material Number:	Engineering Number:	Description:	Weight Range in (KG):	Cable Travel in (M):	Weight Range in (LB):	Cable Travel in (FT):	Color:
1301690002	GM31	TOOL POSITIONER [1-10LB/0.5-4.5KG], 4.7FT	0.5 - 4.5	1.4	1.0 - 10.0	4.7	BLACK



NOTES:

- ALWAYS READ INSTRUCTIONS MANUAL BEFORE USING RETRACTORS.
- HOUSINGS ARE MADE OF GENERAL PURPOSE ABS TO MEET HARSH INDUSTRIAL ENVIRONMENTS.
- GM31 WILL HOLD A LOAD TO A DESIRED POSITION WITHIN THE TRAVEL RANGE WITHOUT USING A RATCHET LOCK OR A LOCKING DEVICE.
- TENSION CAN BE EASILY ADJUSTED BY USING A SCREW DRIVER ON TO THE ALLOCATED SHAFT SLOT AND TURNING TOWARDS THE "+" OR "-" DIRECTION. "+" = INCREASE TENSION.
- TO REPOSITION LOAD TO TOP POSITION SIMPLY PULL ON CABLE AND WHILE HOLDING THE LOAD THE CABLE WILL RETRACT INTO HOUSING.
- OVERALL DIMENSIONS ARE FOR REFERENCE ONLY.

REV	DESCRIPTION	QUALITY SYMBOLS	GENERAL TOLERANCES (UNLESS SPECIFIED)		DIMENSION STYLE		SCALE	DESIGN UNITS	THIRD ANGLE PROJECTION	
			mm	INCH	IN/MM	NTS	INCH			
A	RELEASE TO GSM EC NO: WNA2010-0605 DRWN: RHOTCA 2010/03/31 CHKD: DT APPR: DITUS 2010/04/01	▽=0 ∇=0	4 PLACES	±-	±-	DRAWN BY RHOTCA	DATE 2010/03/31	TITLE GM31 SERIES TOOL POSITIONER		
			3 PLACES	±-	±-	CHECKED BY DT	DATE 2010/03/31			
			2 PLACES	±-	±-	APPROVED BY DITUS	DATE 2010/03/31			
			1 PLACE	±-	±-	MATERIAL NO. SEE TABLE		DOCUMENT NO. SD-130169-001		
			ANGULAR ±1°		SIZE B		THIS DRAWING CONTAINS INFORMATION THAT IS PROPRIETARY TO MOLEX INCORPORATED AND SHOULD NOT BE USED WITHOUT WRITTEN PERMISSION			
			DRAFT WHERE APPLICABLE MUST REMAIN WITHIN DIMENSIONS				SHEET NO. 1 OF 1			

10

9

8

7

6

5

4

3

2

1