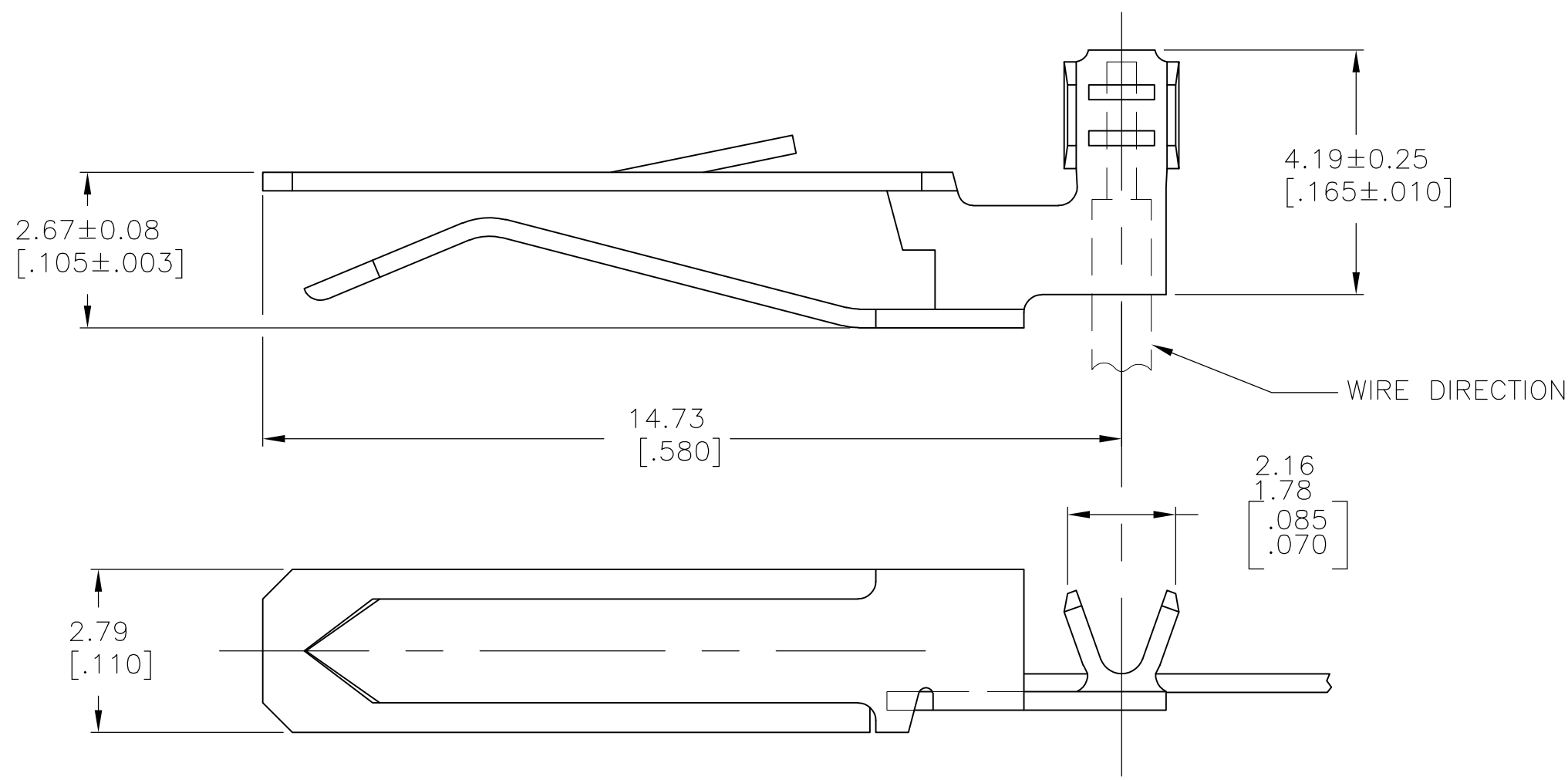


THIS DRAWING IS UNPUBLISHED. RELEASED FOR PUBLICATION
 © COPYRIGHT - BY TYCO ELECTRONICS CORPORATION. ALL RIGHTS RESERVED.

LOC	DIST	REVISIONS					
CM	0	P	LTR	DESCRIPTION	DATE	DWN	APVD
			H	REVISED PER ECO-07-010173	01MAY07	KW	DB

- 1. DIMENSIONS IN BRACKETS ARE IN INCHES.
- 2. WIRE RANGE: 26 - 22 AWG (0.12 - 0.4MM²).



	TIN	640557-3
SUPERSEDED BY 640557-3	TIN-LEAD	640557-1
	FINISH	PART NO

THIS DRAWING IS A CONTROLLED DOCUMENT.		DWN TIM BECK 19SEP91	Tyco Electronics Corporation Harrisburg, PA 17105-3608			
DIMENSIONS: mm [INCHES]	TOLERANCES UNLESS OTHERWISE SPECIFIED:	CHK R. SWING 19SEP91	NAME CONTACT, CRIMP SNAP-IN, LOOSE PIECE, MTA-156			
	0 PLC ± -	APVD T. WERT 19SEP91	PRODUCT SPEC			
	1 PLC ± -	PRODUCT SPEC	APPLICATION SPEC			
MATERIAL 0.30 [.012] THK COPPER ALLOY	FINISH 0.00203 [.000080] MIN THK MATTE TIN	WEIGHT	SIZE A3	CAGE CODE 00779	DRAWING NO G-640557	RESTRICTED TO
		CUSTOMER DRAWING	SCALE 10:1	SHEET 1 OF 1	REV H	