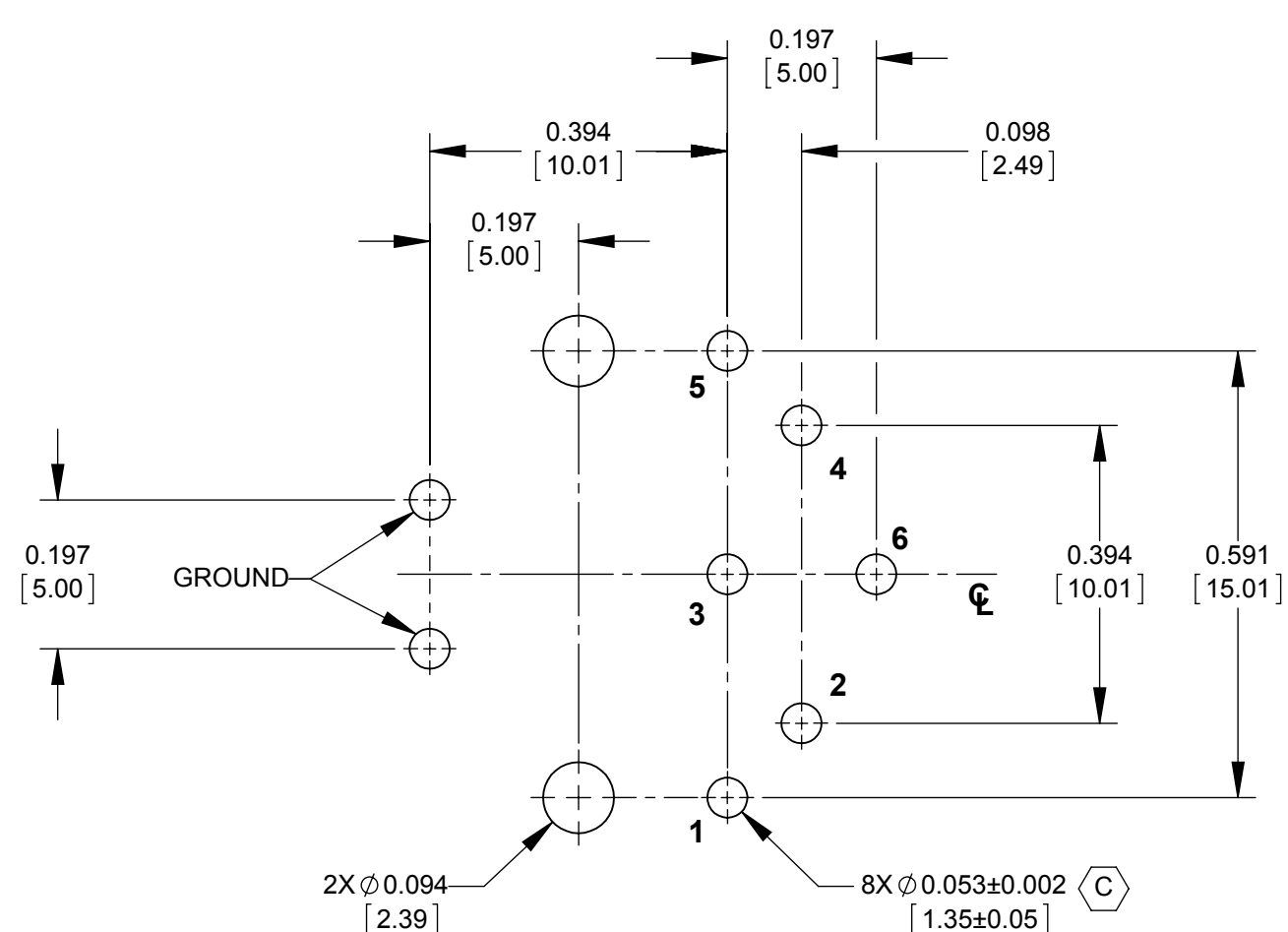
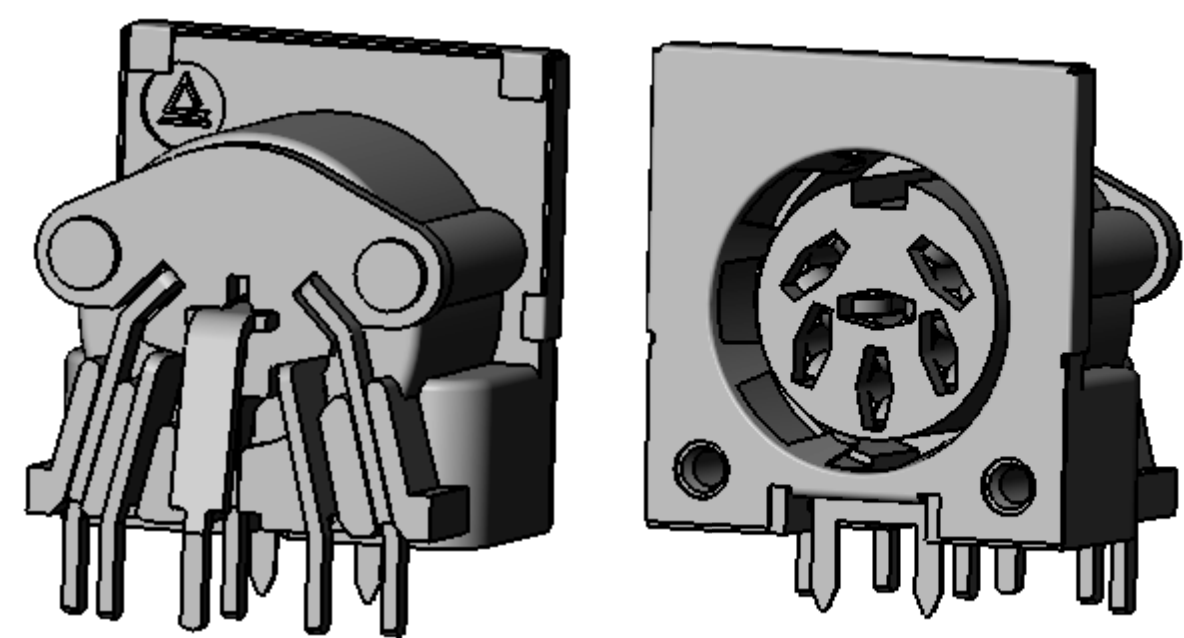
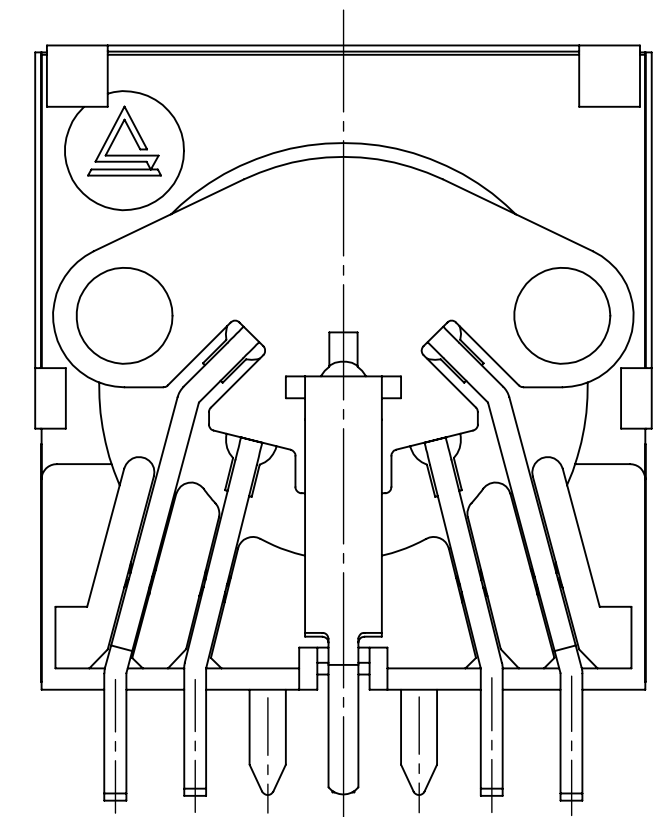
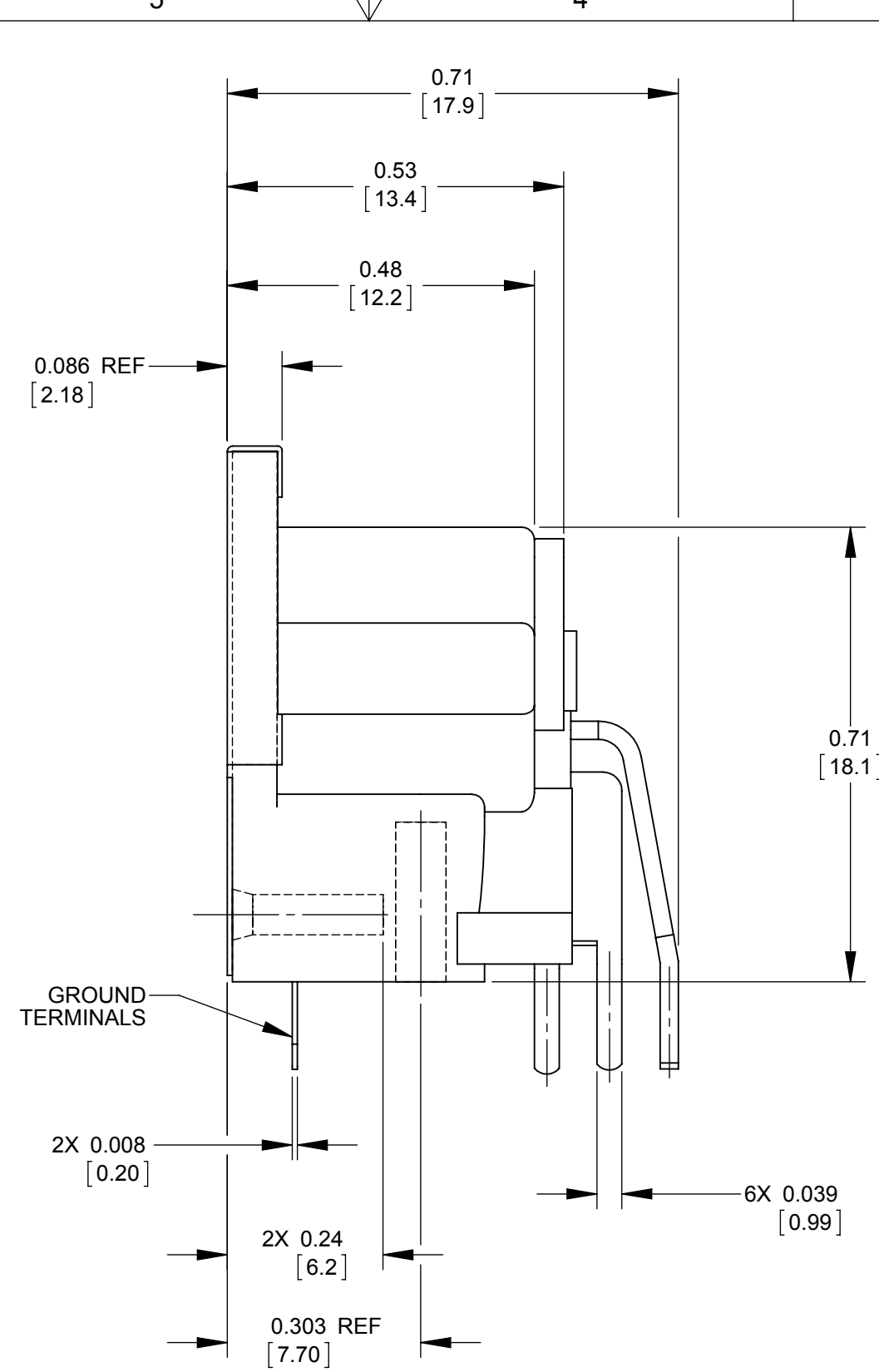
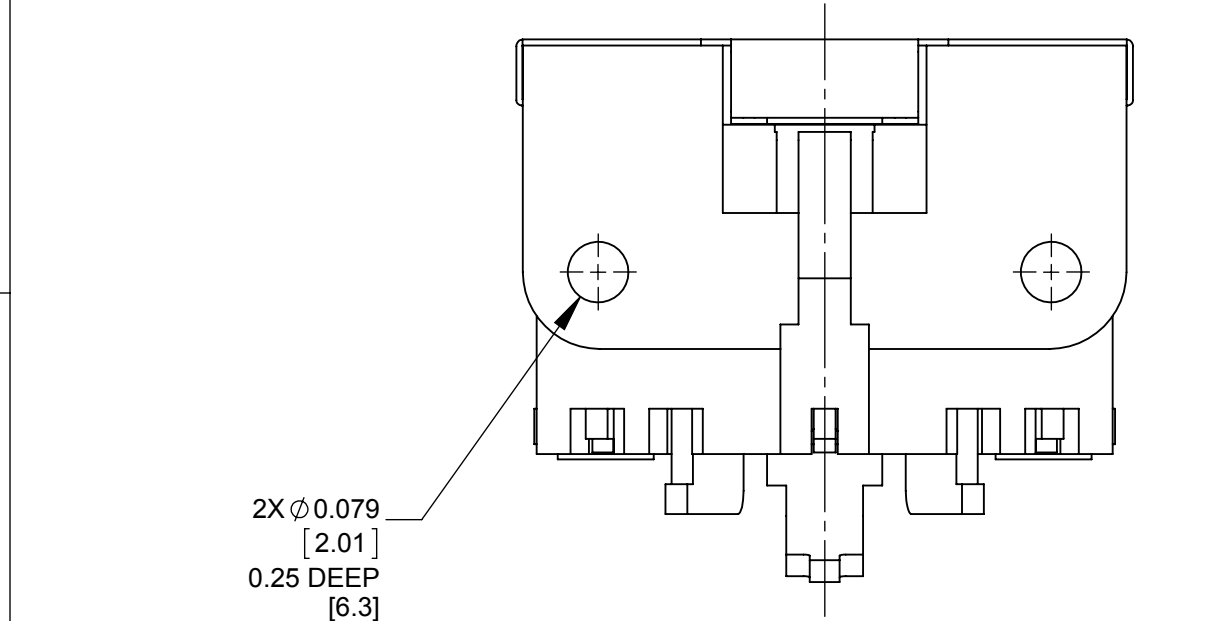


PIN NUMBERS FOR REFERENCE ONLY THEY DO NOT APPEAR ON THE PART



RECOMMENDED PC BOARD LAYOUT
COMPONENT SIDE

- NOTES:
- MATERIALS:
HOUSING - THERMOPLASTIC, BLACK.
PC TERMINALS - COPPER ALLOY, TIN PLATED.
GROUND PLATE - SPECIAL COPPER ALLOY, TIN PLATED.
COVER - PHENOLIC
 - MATES WITH PLUG
Ø 0.520±0.008 [13.21 ±0.20]
Ø 0.536±0.004 [13.61 ±0.10]
 - THIS PRODUCT IS RoHS COMPLIANT.

CUSTOMER DRAWING

REV	ECO NUMBER	DATE	BY	APVD
C	CAD REDRAW NO CHANGE - ECO #27408	11/17/14	PC	TJK
REVISIONS				

UNLESS OTHERWISE SPECIFIED
1. ALL DIMENSIONS IN INCHES [mm]
- TWO PLACE DECIMALS ±0.02 [0.5]
- THREE PLACE DECIMALS ±0.005 [0.13]

DO NOT SCALE DRAWING

THIS DRAWING DESCRIBES A DESIGN CONSIDERED PROPRIETARY IN NATURE, DEVELOPED AND MANUFACTURED BY SWITCHCRAFT INC. AND IS RELEASED ON A CONFIDENTIAL BASIS FOR IDENTIFICATION PURPOSES ONLY.				
SIZE	WIDTH	MULT	LBS/M	TEMPER
FINISH		MATERIAL		
SPEC No.		SPEC No.		
FIRST USED ON		SCALE		
		4:1		
DATE DRAWN	BY	CHKD	APVD	
03/18/83	RB	TS	RV	
		03/21/83	03/21/83	
NAME RIGHT ANGLE SHIELDED PC FEMALE DIN RECEPTACLE, RoHS				PART No.
				61PC6FS
				REV
				C