



**Technical specification:**

Rated voltage: 6pos  
IEC 61076-2-101 30 V

Current rating: 2 A at 40°C  
IEC 61076-2-101

Insulation resistance: >=100 MΩ  
IEC 60512

Pollution degree: 3/2  
IEC 60664-1

Degree of protection: IP 67, in mated condition  
IEC 60529

Temperature range: -30°C ... +80°C  
IEC 60664-1

Mating cycles: >=100  
IEC 60512-9a

**Materials:**

Contact: CuZn

Contact plating: Nickel, gold plated

Contact carrier: TPU GF, UL 94

Sealing: FPM

Coupling nut/  
screw: GD-Zn, nickel plated

Moulding body: TPU, UL 94, grey

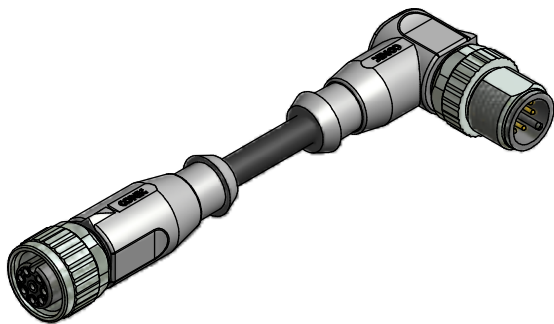
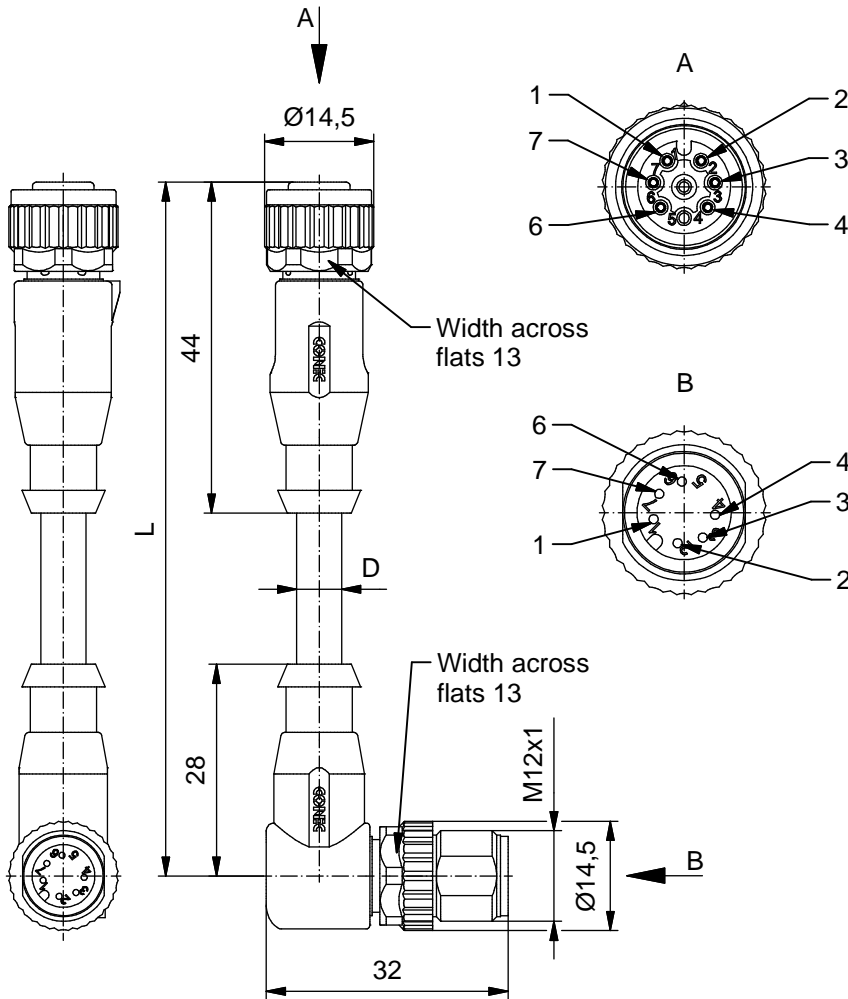
**Installation specification:**

Recommended torque: 0,6 Nm

Conec installation tool: Torque wrench: 36-000200  
Insert across flats 13: 36-000220

**Contact assignment:**

- 1) brown — 4) black
- 2) white — 6) grey
- 3) blue — 7) pink



Part no:	Description:	Length L:	Cable:
43-14633	SAL - 12 - RK6 - RSW6 - 0,3 / K1 / A1090	0,3m	TPU, UL 20549, black, 6x0,25mm <sup>2</sup> Cable: 781-K12600
43-14634	SAL - 12 - RK6 - RSW6 - 0,6 / K1 / A1090	0,6m	
43-14635	SAL - 12 - RK6 - RSW6 - 1,5 / K1 / A1090	1,5m	
43-14636	SAL - 12 - RK6 - RSW6 - 3,0 / K1 / A1090	3m	
43-xxxxx	SAL - 12 - RK6 - RSW6 - ... / K1 / A1090	x	

D see data sheet cable

DO NOT ALTER CAD DRAWING BY HAND	Directive 2002/95/EC RoHS compliant	dim. in mm		title: <b>Connecting cable M12x1, female connector axial - male connector angled</b>		
		date	name			
		tolerance of cable: L ≤ 4m: L + 40mm L > 4m: L + 1%		drawn 17.01.11 Franz	appd. 17.01.11 Mankopf	dwg no:
		THIS DRAWING MAY NOT BE COPIED OR REPRODUCED IN ANY WAY, AND MAY NOT BE PASSED ON TO A THIRD PARTY WITHOUT WRITTEN PERMISSION. OWNERSHIP AND COPYRIGHT OF CONEC GmbH				43K1A1284
part no: see table						

