



Sprint - ST12Z3 - 039067 - No
 (Family) (Model) (Part #) (In Stock)

Electrical Specifications

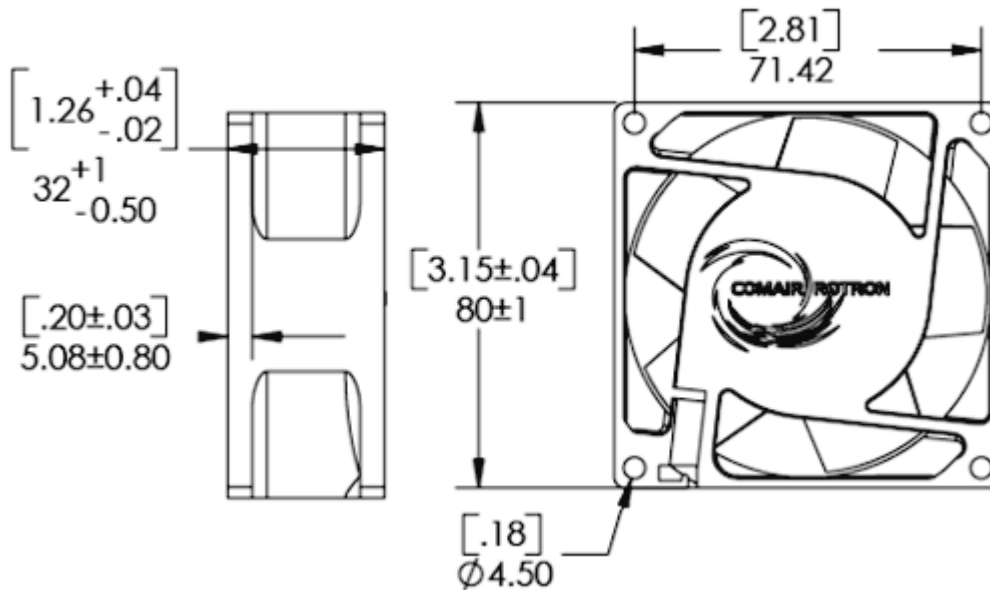
Operating Voltage:	12 Volts
Voltage Range:	6 - 14 Volts
Power Supply:	6.2 Watts
Line Current:	0.38 Amps
Locked Rotor Current	2.10 Amps
Nominal Speed:	4700 RPM

Mechanical Specifications

Dimensions:	3.1 x 3.1 x 1.3 in
Weight	6.35 oz
Max Airflow @ 0 in H ₂ O	45.0 CFM
Max Pressure @ 0 CFM	0.372 in H ₂ O
Noise	n/a



Mechanical Drawing



Comair Rotron, Inc.
 Phone: 619.651.2000
 sales@comairrotron.com

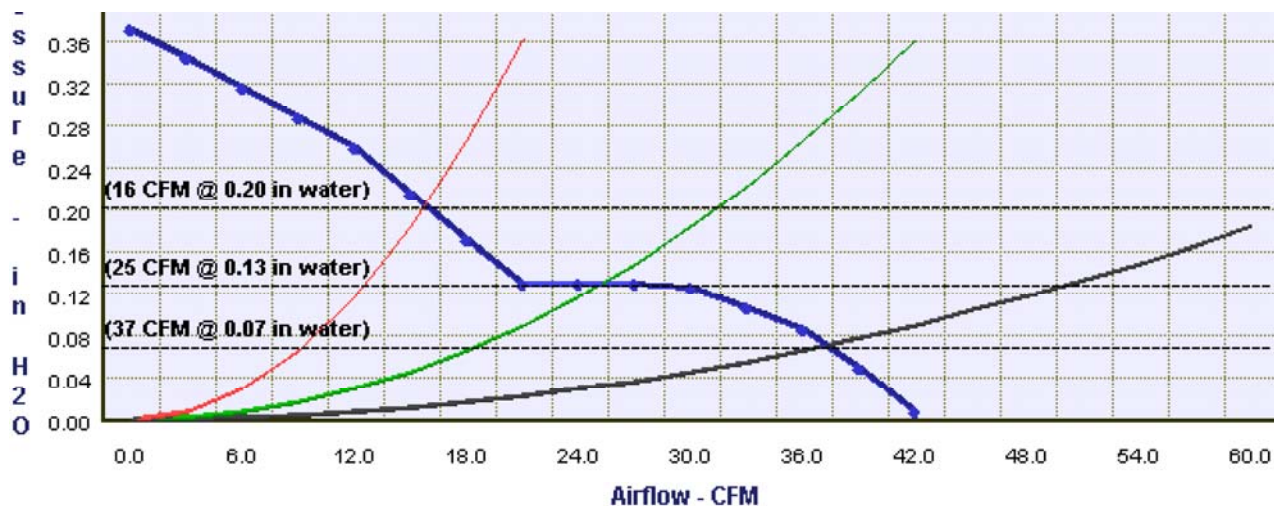
Comair Rotron Europe, Ltd.
 Phone: +44.1527.520525
 saleseurope@comairrotron.com

Comair Rotron Fan Company Ltd.
 Phone: +86.21.52260581
 salesasia@comairrotron.com

Print Date: Wednesday, May 12, 2010 at 09:58:57 - DC Fan Datasheet - Web Version 1.0 Rev. B



Fan Performance Curve



Fan Configuration Options

Sprint (Family) / **ST12Z3** (Model) / **039067** (Part #) / **No** (In Stock) / **305 mm [12 inch] Leads** (Features)

Fan Speed: 4700 RPM / **Fan Bearings:** Ball Bearings
Fan Airflow Direction: Flow R (CCW Rotation) / **Fan Termination:** Leads

Fan Monitoring Options: No Fan Monitoring Options Selected

Fan Speed Control Option: No ThermaPro-V Fan Speed Control Options Selected

Environmental Protection Options: No Enviroshield Options Selected

Comair Rotron, Inc.
 Phone: 619.651.2000
 sales@comairrotron.com

Comair Rotron Europe, Ltd.
 Phone: +44.1527.520525
 saleseurope@comairrotron.com

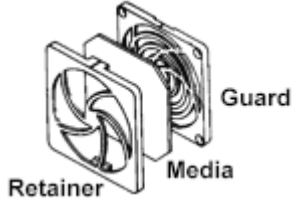
Comair Rotron Fan Company Ltd.
 Phone: +86.21.52260581
 salesasia@comairrotron.com

Print Date: Wednesday, May 12, 2010 at 09:58:57 - DC Fan Datasheet - Web Version 1.0 Rev. B



Accessories [\(Click on part number for detailed drawing.\)](#)

- 554141**
Filter Guard Assembly



- 550648**
Finger Guard



- 476143**
Finger Guard



Comair Rotron, Inc.
Phone: 619.651.2000
sales@comairrotron.com

Comair Rotron Europe, Ltd.
Phone: +44.1527.520525
saleseurope@comairrotron.com

Comair Rotron Fan Company Ltd.
Phone: +86.21.52260581
salesasia@comairrotron.com

Print Date: Wednesday, May 12, 2010 at 09:58:57 - DC Fan Datasheet - Web Version 1.0 Rev. B